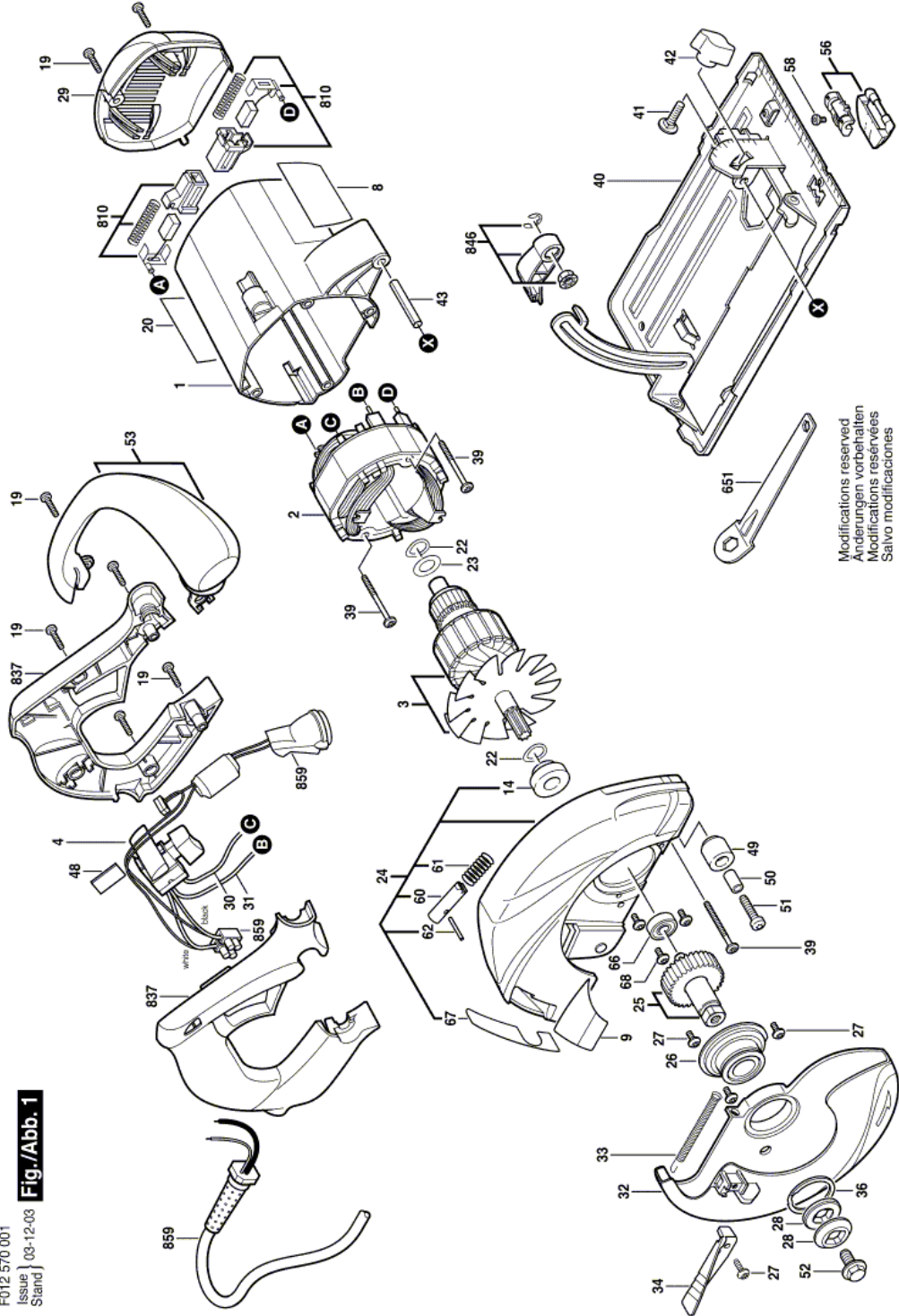


Item	Part Number	Description	Illustration	Price	Quantity
1	2 610 921 850	Motor Housing	1	,-	1
2	2 610 913 290	Pole Shoe 120V	1	,-	1
3	2 610 921 652	Armature 120V	1	,-	1
4	2 610 917 325	Switch	1	,-	1
8	2 610 921 653	Manufacturer's nameplate	1	,-	1
9	2 610 913 293	Reference Plate	1	,-	1
14	2 610 356 680	Bearing Sleeve	1	,-	1
19	1 619 P01 505	Screw	1	,-	8
20	2 610 913 224	Reference Plate	1	,-	1
22	2 610 313 808	Plain Washer	1	,-	2
23	2 610 341 465	Washer	1	,-	1
24	2 610 921 654	Guard Plate	1	,-	1
25	2 610 903 192	Gear Shaft	1	,-	1
26	1 619 X01 554	Bearing Plate	1	,-	1
27	1 619 X01 786	Contact Screw	1	,-	4
28	2 610 341 361	Supporting Disc	1	,-	2
29	2 610 913 232	Motor Housing	1	,-	1
30	2 610 341 377	Connecting Cable 385 MM	1	,-	1
31	2 610 916 885	Connecting Cable	1	,-	1
32	2 610 916 428	Guard Plate	1	,-	1
33	2 610 914 057	Extension Spring	1	,-	1
34	2 610 924 015	Lever	1	,-	1
36	2 610 341 359	Spring retaining ring	1	,-	1
39	2 610 347 103	Screw	1	,-	6
40	1 619 X01 143	Base Plate	1	,-	1
41	2 610 017 262	Round-Head Bolt	1	,-	1
42	2 610 917 567	Knob	1	,-	1
43	2 610 914 058	Roller Pin	1	,-	1
48	2 610 347 892	Spacer	1	,-	1
49	2 610 341 394	End stop	1	,-	1
50	2 610 341 366	Spacer	1	,-	1
51	2 610 347 100	Screw	1	,-	1
52	1 619 X00 935	Hex Screw	1	,-	1

Item	Part Number	Description	Illustration	Price	Quantity	
	53 2 610 917 578	Handle		1	-,-	1
	56 2 610 920 315	Window		1	-,-	1
	58 2 610 347 488	Screw		1	-,-	1
	60 2 610 916 860	Locking Pin		1	-,-	1
	61 2 610 350 667	Spring		1	-,-	1
	62 2 610 020 656	Slotted Spring Pin		1	-,-	1
	66 1 619 P01 511	Ball Bearing		1	-,-	1
	67 2 610 913 300	Label		1	-,-	1
	68 1 619 X01 786	Contact Screw		1	-,-	3
	651 2 610 968 670	Box Wrench		1	-,-	1
	810 2 610 993 156	Carbon-Brush Set		1	-,-	1
	837 2 610 914 193	Set Of Handles		1	-,-	1
	846 2 610 921 181	Lever		1	-,-	1
	859 2 610 917 062	Spare Part		1	-,-	1

F012 570.001  
 Issue } 03-12-03  
 Stand } **Fig./Abb. 1**



Modifications reserved  
 Änderungen vorbehalten  
 Modifications reserves  
 Salvo modificaciones