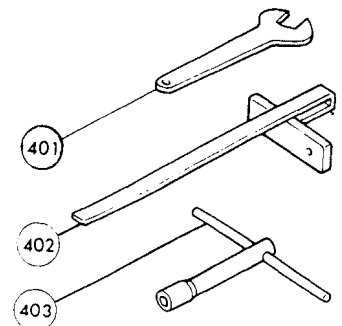
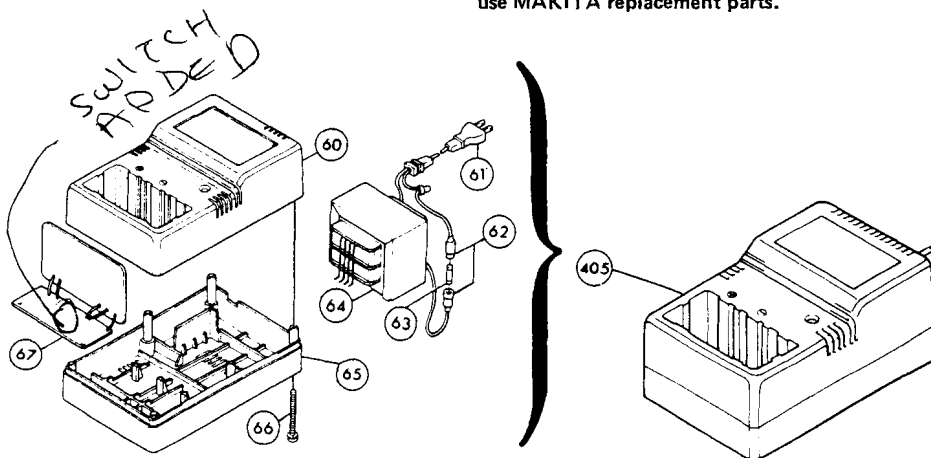


IMPORTANT! – To assure product **SAFETY** and **RELIABILITY**, repairs should be performed by **MAKITA** Service Centers or other qualified service organizations. Always use **MAKITA** replacement parts.



Item No.	Part No.	Used	Description	Item No.	Part No.	Used	Description
1	251609-3	1	HEX. FLANGE HEAD BOLT M6x17	41	211014-6	1	BALL BEARING 606
2	224164-8	1	OUTER FLANGE	42	226069-8	1	GEAR COMPLETE
3	224235-1	1	INNER FLANGE	43	157311-5	1	GEAR HOUSING (with Bearing 214017-9)
4	321728-0	1	SPINDLE	44	629535-8	1	DC MOTOR
5	961155-5	1	RETAINING RING S-38	45	410352-5	1	HANDLE COVER
6	164428-7	1	SAFETY COVER	46	911221-8	1	PAN HEAD SCREW M5x16
7	911221-8	2	PAN HEAD SCREW M5x16	47	253194-2	1	FLAT WASHER 5
8	934301-3	1	WING NUT M6	48	231131-6	1	COMPRESSION SPRING 1:1
9	942151-2	1	SPRING WASHER 6	49	253310-6	1	THIN WASHER 10
10	231744-3	1	TENSION SPRING 4	50	410355-9	1	BATTERY RETAINER
11	154317-4	1	BLADE CASE COMPLETE	51	168135-4	1	BASE
12	911181-4	3	PAN HEAD SCREW M4x55	52	251919-8	1	CAP SQUARE NECK BOLT M6x20
13	251247-1	1	PAN HEAD SCREW M6x20	53	924316-8	1	WING BOLT M6x15
14	262502-6	1	RUBBER SLEEVE 6	54	231316-4	1	COMPRESSION SPRING 7
15	152255-4	1	BEARING BOX (with Bearing 214017-9)	55	934301-3	1	WING NUT M6
16	211101-1	1	BALL BEARING 6001LLB	56	942151-2	1	SPRING WASHER 6
17	253894-4	1	FLAT WASHER 12	57	941151-9	1	FLAT WASHER 6
18	961052-5	1	RETAINING RING S-12	58	951175-7	1	SPRING PIN
19	231376-6	1	COMPRESSION SPRING 19	59	652008-6	2	SCREW
20	223066-5	1	CLUTCH CAM	60	410433-5	1	CHARGER CASE
21	253748-5	1	FLAT WASHER 12	61	667901-1	1	CHARGER CORD
22	221905-3	1	SPUR GEAR 69	62	643911-2	1	FUSE HOLDER
23	216002-8	4	STEEL BALL 4.8	63	652563-8	1	FUSE
24	256054-7	1	PIN 4	64	649044-1	1	TRANSFORMER
27	911156-3	2	PAN HEAD SCREW M4x30	65	410434-3	1	CHARGER CASE COVER
28	913101-4	1	SET SCREW M4x6	66	911273-9	6	PAN HEAD SCREW M5x50
29	251919-8	1	CAP SQUARE NECK BOLT M6x20	67	631075-4	1	CIRCUIT BOARD
30	911276-3	1	PAN HEAD SCREW M5x55	ACCESSORIES			
31	410351-7	1	MOTOR HOUSING	400	792365-1		6 1/4" CARBIDE BLADE
32	654054-5	2	TERMINAL	401	781011-1		WRENCH 22
33	410353-3	1	TERMINAL SUPPORT	402	164095-8		RIP FENCE
34	410354-1	1	LOCK OFF PLATE	403	782209-3		SOCKET WRENCH 9
35	231322-9	1	COMPRESSION SPRING 3	404	632034-1		BATTERY 1000 (10.8 V.D.C.)
36	651214-0	1	SWITCH	405	113055-1		1-HOUR CHARGER DC1000 (Assembled Item 60-67)
37	911138-5	3	PAN HEAD SCREW M4x20				
38	216402-2	1	THRUST NEEDLE GAUGE 1224				
39	216202-0	1	WASHER 1224				
40	961052-5	1	RETAINING RING S-12				

2 Model 5600D
Model 5600DW