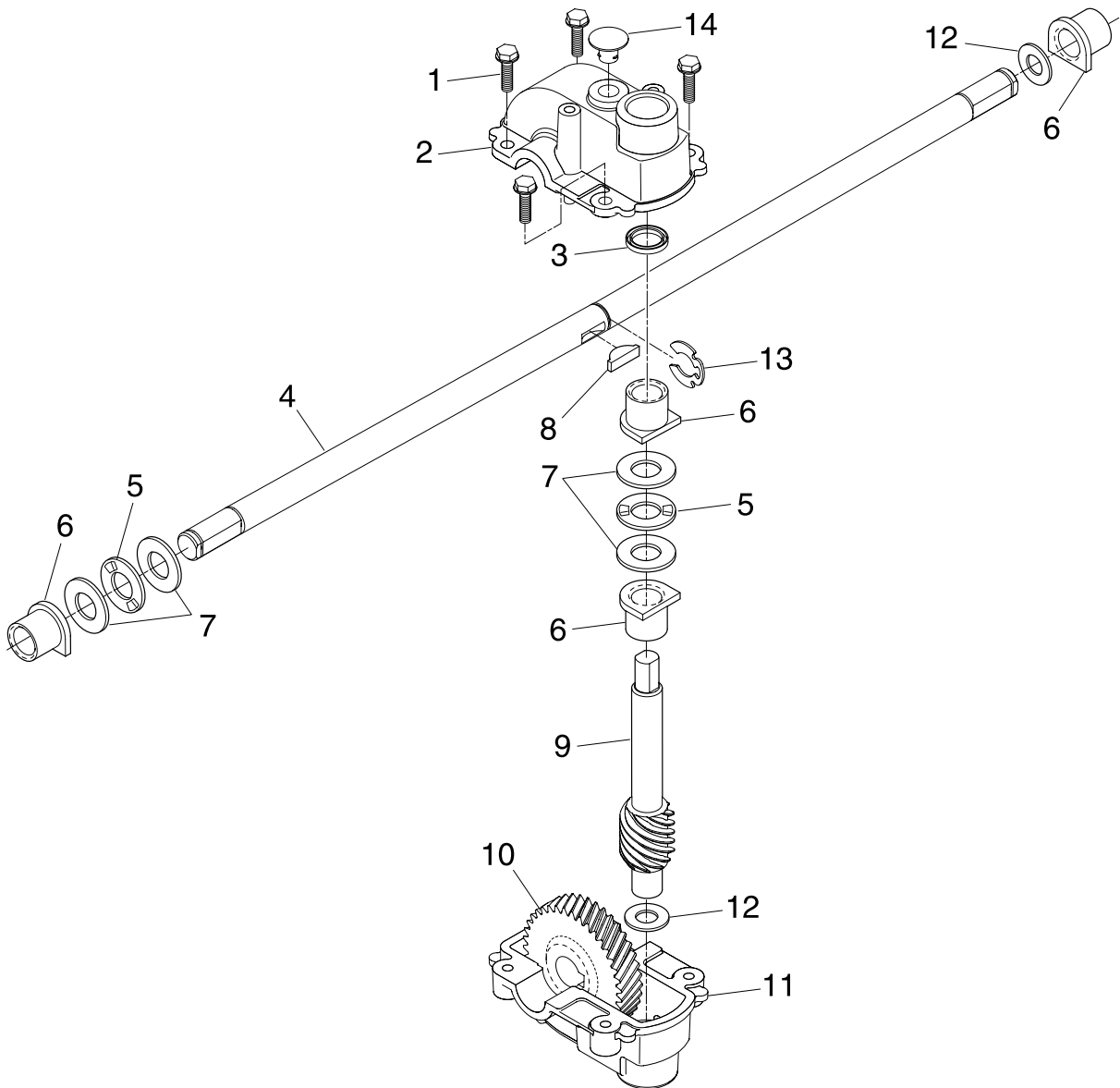


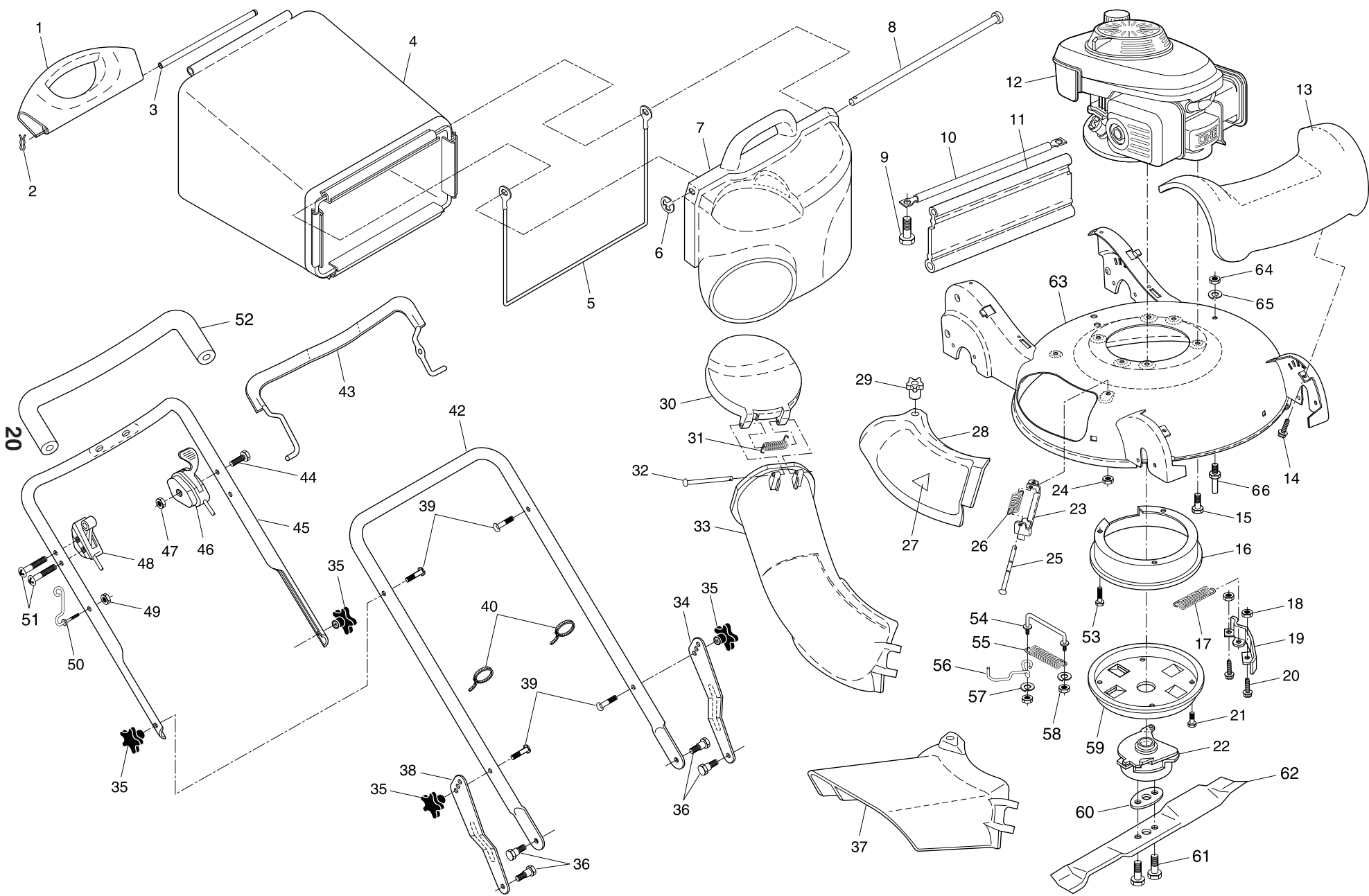
**ROTARY LAWN MOWER - - MODEL NUMBER 55B21HV (55B21HVA)
 PRODUCT NUMBER 954 22 32-27
 GEAR CASE ASSEMBLY - - PART NUMBER 532 18 36-99**



KEY NO.	PART NO.	DESCRIPTION
1	817 54 10-11	Screw, Tapping #10-24 x .668
2	532 16 06-72	Gear Case, Upper
3	532 05 70-72	Seal
4	532 18 39-08	Drive Shaft
5	532 16 08-18	Bearing, Needle, Thrust
6	532 07 78-81	Bearing
7	532 16 08-17	Washer, Thrust
8	532 85 08-48	Key, Hi-pro
9	532 18 41-34	Shaft, Worm
10	532 16 06-79	Gear, Helical
11	532 16 06-73	Gear Case, Lower
12	532 05 70-79	Washer, Hardened
13	812 00 00-39	E-Ring
14	532 08 64-47	Plug
--	532 75 03-69	Grease

NOTE: All component dimensions given in U.S. inches.
 1 inch = 25.4 mm

ROTARY LAWN MOWER - - MODEL NUMBER 55B21HV (55B21HVA) - PRODUCT NUMBER 954 22 32-27



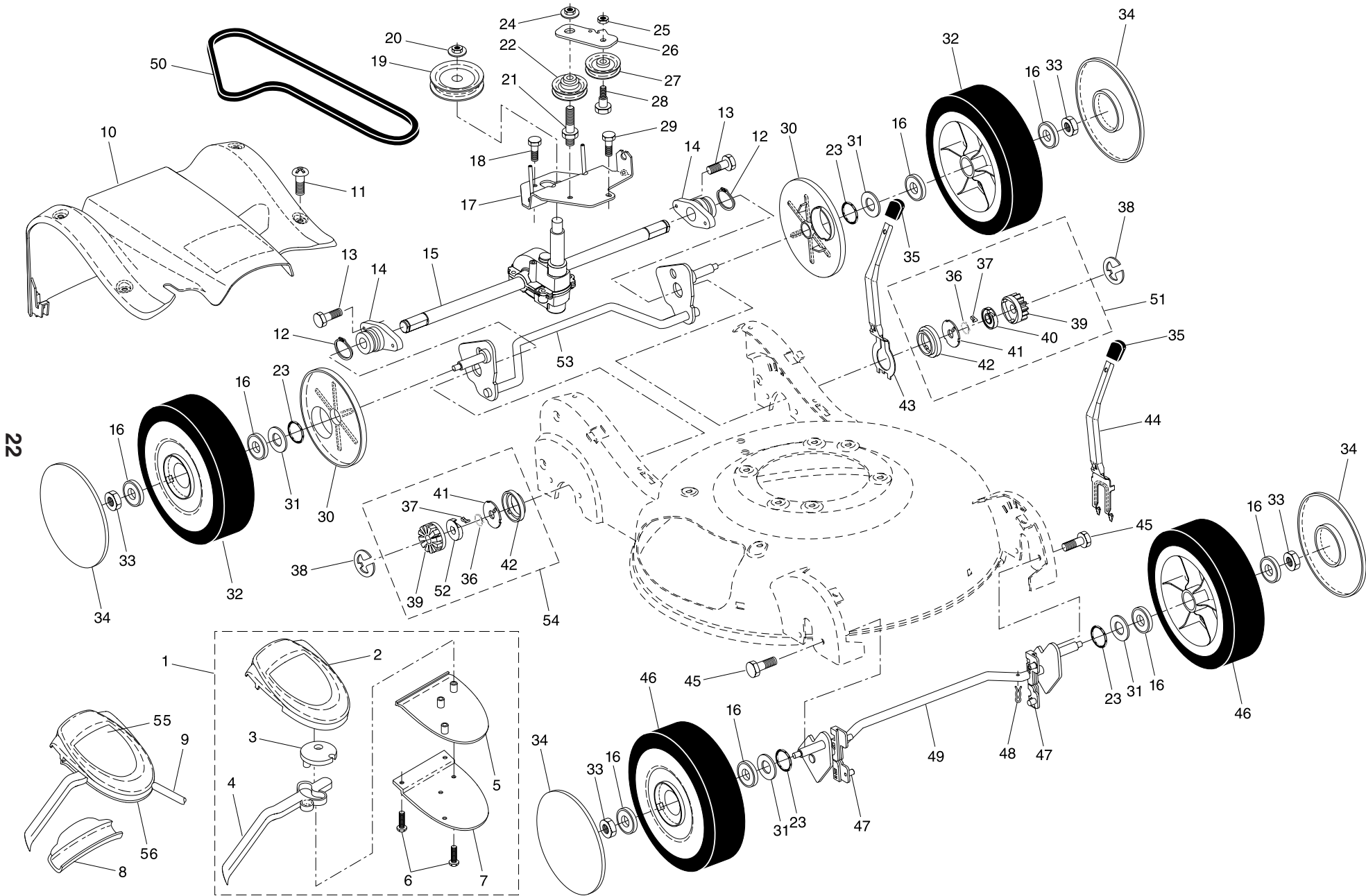
ROTARY LAWN MOWER - - MODEL NUMBER 55B21HV (55B21HVA) - PRODUCT NUMBER 954 22 32-27

KEY NO.	PART NO.	DESCRIPTION
1	532 18 60-03	Handle, Grassbag, Rear
2	532 06 53-22	Hairpin Cotter
3	532 18 34-83	Rod, Rear Handle, Grassbag
4	532 18 52-28	Grassbag
5	532 18 34-81	Frame, Grassbag
6	812 00 00-14	E-Ring
7	532 18 60-02	Door, Grassbag
8	532 18 34-79	Rod, Pivot
--	532 18 63-02	Grassbag Assembly, Complete (Consists of Key Numbers 1-8)
9	817 41 13-18	Screw
10	532 18 43-31	Tube, Rear Skirt
11	532 18 34-63	Skirt, Rear
12	- - -	Engine, Honda, Model Number GCV160 (Order parts from Engine Manufacturer)
13	532 18 37-70	Cover, Front
14	532 18 45-72	Screw, Hex Washer Head
15	532 15 04-06	Bolt, Engine Mounting
16	532 18 04-59	Belt Cover, Upper
17	532 18 03-93	Spring
18	873 90 04-00	Nut, Hex
19	532 18 74-92	Brake, Clutch
20	874 78 04-10	Bolt, Hex Head
21	532 75 00-97	Screw
22	- - -	Blade Brake / Clutch (Order parts from Engine Manufacturer)
23	532 18 36-09	Mounting Bracket, Mulcher Door
24	532 75 11-52	Nut, Hex
25	532 18 34-45	Rod, Hinge
26	532 18 34-46	Spring, Mulcher Door
27	532 10 73-39	Decal, Danger
28	532 18 59-95	Mulcher Door
29	532 18 34-47	Knob
30	532 18 60-01	Door, Discharge Chute
31	532 18 34-78	Spring, Door, Discharge Chute
32	532 18 34-45	Rod, Door, Discharge Chute
33	532 18 60-00	Discharge Chute, Plastic
--	532 18 63-01	Discharge Chute Assembly, Complete (Consists of Key Numbers 30-33)

KEY NO.	PART NO.	DESCRIPTION
34	532 18 74-25	Adjustment Bracket, Lower Handle, LH
35	532 18 55-88	Knob, Star
36	532 18 34-65	Bolt, Shoulder
37	532 18 59-96	Deflector, Discharge
38	532 18 74-26	Adjustment Bracket, Lower Handle, RH
39	532 18 45-68	Bolt, Handle
40	532 06 64-26	Wire Tie
42	532 18 70-96	Handle Assembly, Lower
43	532 18 62-99	Bail, Control
44	532 18 74-99	Screw
45	532 18 62-96	Handle Assembly, Upper (Includes Foam Grip)
46	532 18 37-07	Blade Brake Control
47	532 18 45-69	Nut, Hex
48	532 18 57-79	Throttle Control
49	532 18 45-69	Nut, Hex
50	532 18 34-69	Rope Guide
51	532 18 34-49	Screw
52	532 18 27-48	Grip, Foam
53	532 15 04-08	Bolt, Engine
54	532 18 01-88	Link, Torque
55	532 18 03-94	Spring
56	532 18 61-30	Belt Keeper
57	532 05 39-98	Washer, Lock
58	873 51 06-00	Nut, Hex
59	532 18 36-10	Belt Cover, Lower
60	532 18 50-46	Spacer, Blade
61	532 18 62-91	Bolt, Hex Head
62	532 18 04-59	Blade, 21"
63	532 18 69-57	Kit, Housing
64	873 90 06-00	Nut, Hex 3/8-16
65	532 85 02-63	Washer, Lock
66	532 18 21-31	Stud, Belt Guide
--	532 16 23-00	Decal, Warning (not shown)
--	532 18 63-04	Owner's Manual

NOTE: All component dimensions given in U.S. inches.
1 inch = 25.4 mm

ROTARY LAWN MOWER - - MODEL NUMBER 55B21HV (55B21HVA) - PRODUCT NUMBER 954 22 32-27



ROTARY LAWN MOWER - - MODEL NUMBER 55B21HV (55B21HVA) - PRODUCT NUMBER 954 22 32-27

23

KEY NO.	PART NO.	DESCRIPTION	KEY NO.	PART NO.	DESCRIPTION
1	532 18 53-12	Drive Control Assembly, Complete (Consists of Key Numbers 2 through 7)	30	532 18 34-57	Cover, Dust, Wheel
2	532 18 82-79	Cover, Drive Control, Top	31	532 08 83-48	Washer, Flat 3/8
3	532 18 73-53	Pulley, Drive Control	32	532 18 43-68	Wheel Assembly, Rear 9 x 2-1/4
4	532 19 02-83	Lever, Drive Control (blue)	33	532 08 39-23	Nut, Hex
5	532 18 82-78	Cover, Drive Control, Bottom	34	532 18 36-95	Hubcap
6	532 18 16-98	Screw, Torx Head #8-5/8	35	532 18 59-94	Knob
7	532 18 70-97	Bracket, Mounting, Drive Control	36	532 18 82-91	Spring, Torsion
8	532 18 62-97	Cap, Drive Control, Bottom	37	532 17 50-98	Pawl
9	532 18 82-80	Cable, Drive Control	38	812 00 00-58	E-Ring
10	532 18 59-97	Cover Assembly, Drive	39	532 17 51-03	Pinion, Gear
11	532 18 45-71	Screw	40	532 17 51-05	Retainer, Drive, LH
12	812 00 00-12	Ring, Retaining	41	532 17 51-04	Disc, Drive
13	532 18 34-50	Screw	42	532 18 41-72	Seal, Friction
14	532 18 71-20	Bearing / Axle Support	43	532 18 70-92	Lever, Selector, Wheel Height, Rear
15	532 18 36-99	Gear Case Assembly (See Breakdown)	44	532 18 70-90	Lever, Selector, Wheel Height, Front
16	532 75 10-68	Bearing, Ball (Wheel)	45	532 16 34-09	Screw
17	532 18 70-93	Bracket, Gear Case / Drive Pulley	46	532 18 43-69	Wheel Assembly, Front 9 x 2-1/4
18	817 54 10-11	Screw	47	532 18 34-38	Bushing, Front Axle
19	532 18 47-49	Pulley, Drive	48	532 16 96-75	Retainer, Hairpin Cotter
20	532 13 20-10	Nut, Hex, Flangelock	49	532 18 70-89	Torque Shaft Assembly, Front
21	532 18 37-01	Bolt, Idler	50	532 18 36-88	Belt, Drive
22	532 18 45-43	Pulley Assembly, V-Groove	51	532 18 83-31	Pinion Assembly, LH
23	532 18 81-52	O-Ring	52	532 17 51-02	Retainer, Drive, RH
24	532 14 52-12	Nut, Hex, Flangelock	53	532 18 70-91	Rear Axle Assembly
25	873 93 05-00	Nut, Hex, Lock	54	532 18 83-30	Pinion Assembly, RH
26	532 18 70-98	Idler Arm	55	532 18 73-56	Decal, Drive Control
27	532 16 60-43	Pulley, Idler	56	532 18 59-13	Decal, Drive Control Adjustment (bottom)
28	532 16 08-29	Bolt, Hex Head, Shoulder			
29	817 06 04-10	Screw 1/4-20 x 1/16			

NOTE: All component dimensions given in U.S. inches.
1 inch = 25.4 mm