



SERVICE PARTS LIST

BUL. 54-32-1213

9" POLISHER

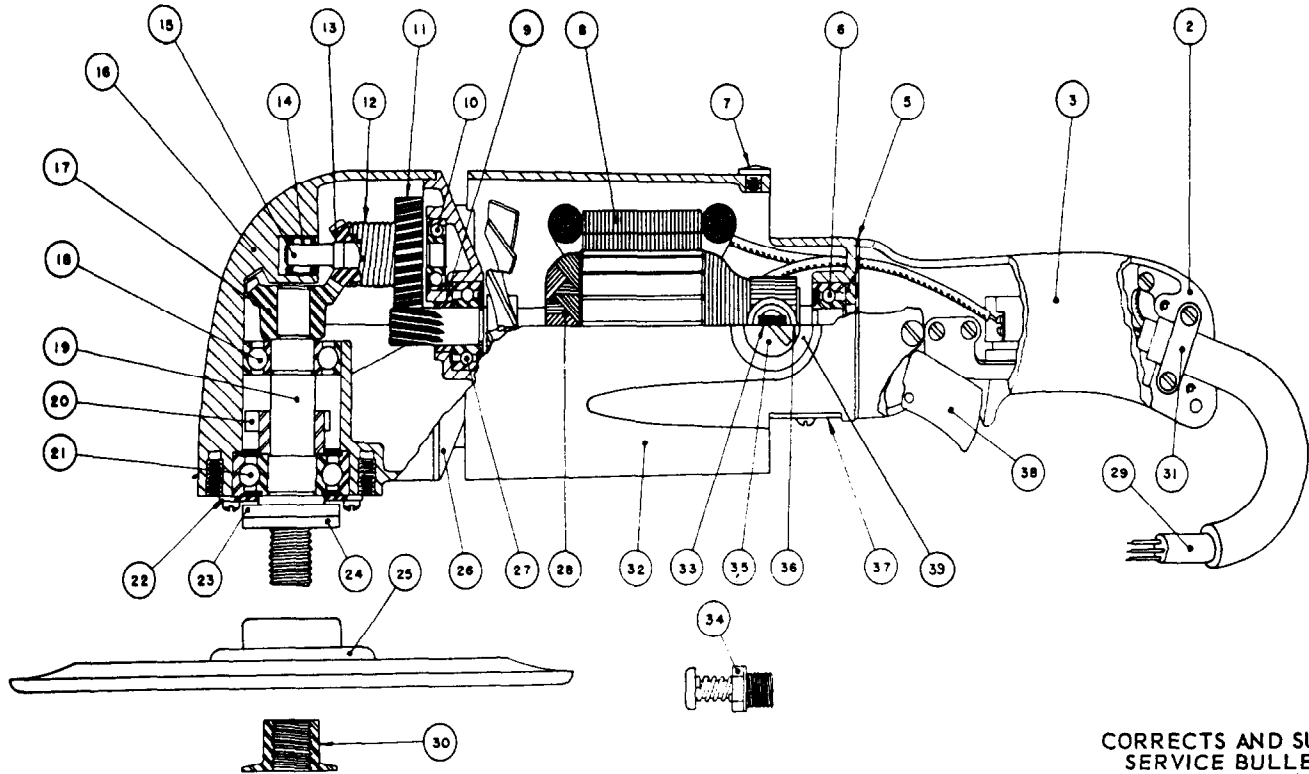
REVISED BUL. 647-4 DATE Feb. '68

Catalog No. 5590

Starting Serial No. **47-3080**

WIRING INSTR.

Both Model and Serial No. must be furnished to obtain correct parts.



CORRECTS AND SUPERCEDES SERVICE BULLETIN 647-4 DATED 7/20/58

FIG. PART NO.	DESCRIPTION OF PART
2	28-44-1041 Handle (Switch Mounting Side)
3	28-44-9081 Handle (Switch Cover Side)
5	43-86-0050 Handle Insulator
6	02-04-1070 Ball Brg. (Comm. End)
7	06-77-1400 Drive Screw Tool Rest Button
8	18-82-1010 Field Assembly
9	45-28-0050 Grease Slinger
10	02-04-0920 Ball Bearing
11	32-40-1181 Intermediate Gear
12	40-50-3100 Spindle Drive Spring
13	32-05-1022 Bevel Gear (Sold only with 32-05-1001 as set)
14	02-50-2130 Needle Bearing
15	36-66-1701 Intermediate Shaft
16	28-14-0601 Gear Case
17	32-05-1001 See Item 13
18	02-04-1710 Ball Bearing (Upper)
19	38-50-1751 Spindle (5/8-11 thread)
20	42-74-0061 Spindle Lock Cog
21	02-04-2060 Ball Bearing (Lower)

ILLUSTRATED PARTS

FIG. PART NO.	DESCRIPTION OF PART
22	45-88-0220 Ball Brg. Retaining Washer
23	45-88-0141 Hub Steel Washer
24	45-88-0160 Hub Rubber Washer
25	49-36-2200 9" Polisher Pad
26	28-28-0381 Diaphragm
27	02-04-1140 Ball Brg. (Pinion End)
28	16-82-1180 Armature Assembly
29	22-64-0090 Cord Set
30	44-40-0160 Disc Nut (5/8"-11 thr'd)
31	28-17-0200 Cord Clamp Strap
32	28-50-4562 Motor Housing
33	22-18-0080 Carbon Brush Assemblies (per set 2)
34	44-20-0060 Spindle Lock Assembly
35	23-44-0065 Brush Retaining Cap (per set 2)
36	22-22-0055 Brush Holder Assembly
37	44-66-0100 Commutator Cover Plate
38	23-66-0250 Switch Assembly
39	22-24-0100 Brush Holder Bushing (steel)

MISCELLANEOUS PARTS NOT SHOWN

PART NO.	DESCRIPTION OF PART	PART NO.	DESCRIPTION OF PART
28-79-0241	Tool Rest	06-81-8650	6-32x1/4" Rd. Hd. Comm. Cover Plate Scs. (Sem) (2)
48-03-0010	Adapter Plug	06-81-3700	8-32x7/8" Oval Hd. Handle Cover Screws (2)
12-98-3400	Name Plate	06-81-6100	8-32x7/16" Fil. Hd. Cord Clamp Strap Scs. (Sem) (2)
43-62-0141	Side Handle	06-81-5400	8-32x5/16 Binder Switch Mounting Screws (2)
06-81-6950	10-24x1/2" Fil. Hd. Sem. Tool Rest Scs. (2)	06-81-8950	8-32x2-1/4" Rd. Hd. Field Screws (Sem) (2)
06-83-2650	1/4"-20x3/8" Hd. less Brush Holder Set Sc. (2)	06-81-8625	6-32x1/4" Rd. Hd. Ground Wire Sc. (Brass) (Sem)
06-81-7550	12-24x3/4" Fil. Hd. Switch Handle Scs. (Sem) (4)	06-81-8200	4-36x3/16" Rd. Hd. Name Plate Scs. (Sem) (2)
06-81-7250	10-24x1-1/2" Fil. Hd. Gear Case Scs. (Sem) (4)	06-81-6050	8-32x5/16" Fil. Hd. Ret. Washer Scs. (Sem) (6)
06-81-3750	8-32x1" Oval Hd. Handle Cover Screw	23-86-0075	Insulating Washer (2)

Numbers in brackets indicate number required.