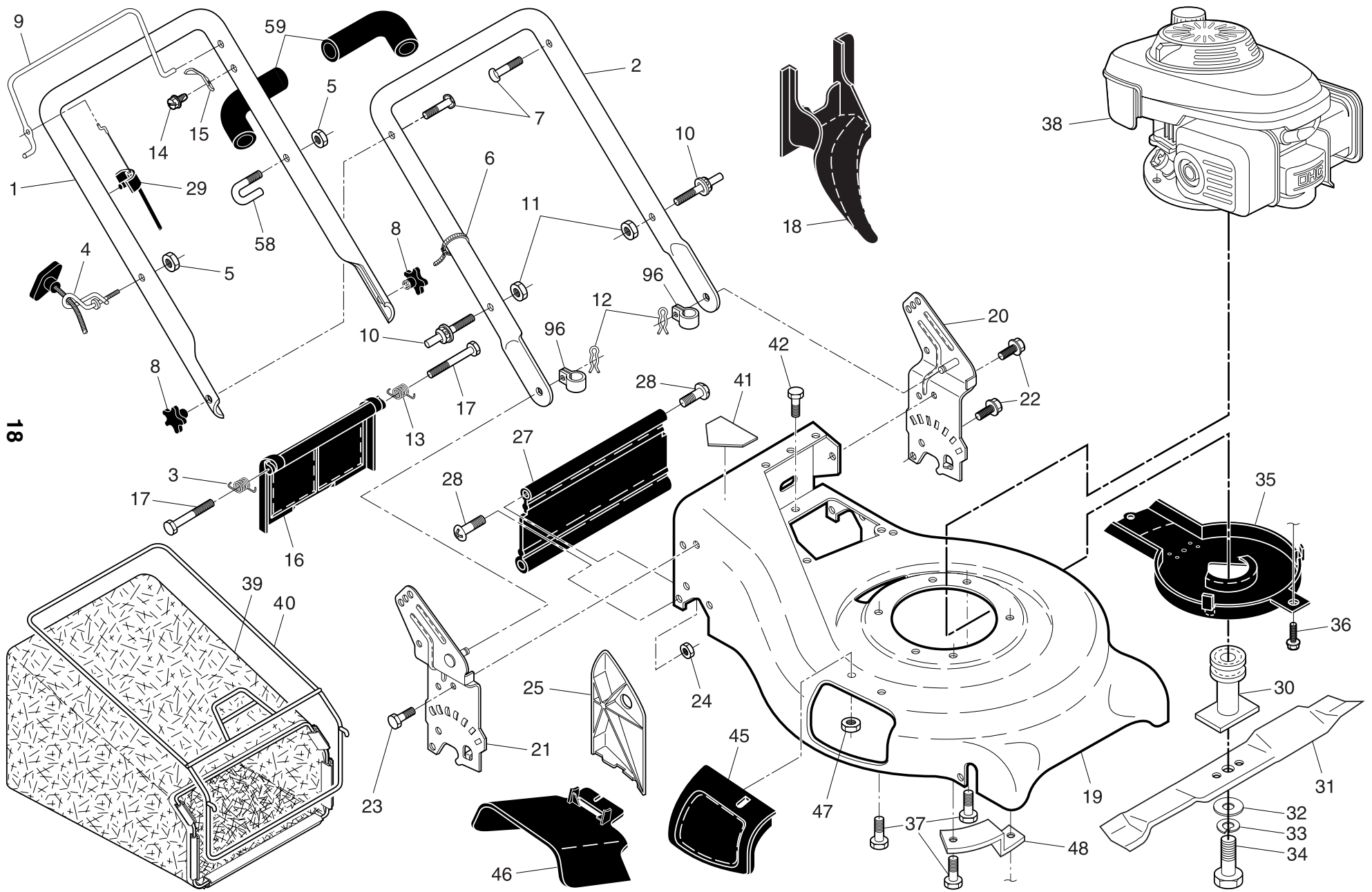


ROTARY LAWN MOWER - - MODEL NUMBER 5521RS (9614300206) - PRODUCT NUMBER 961 43 00-02



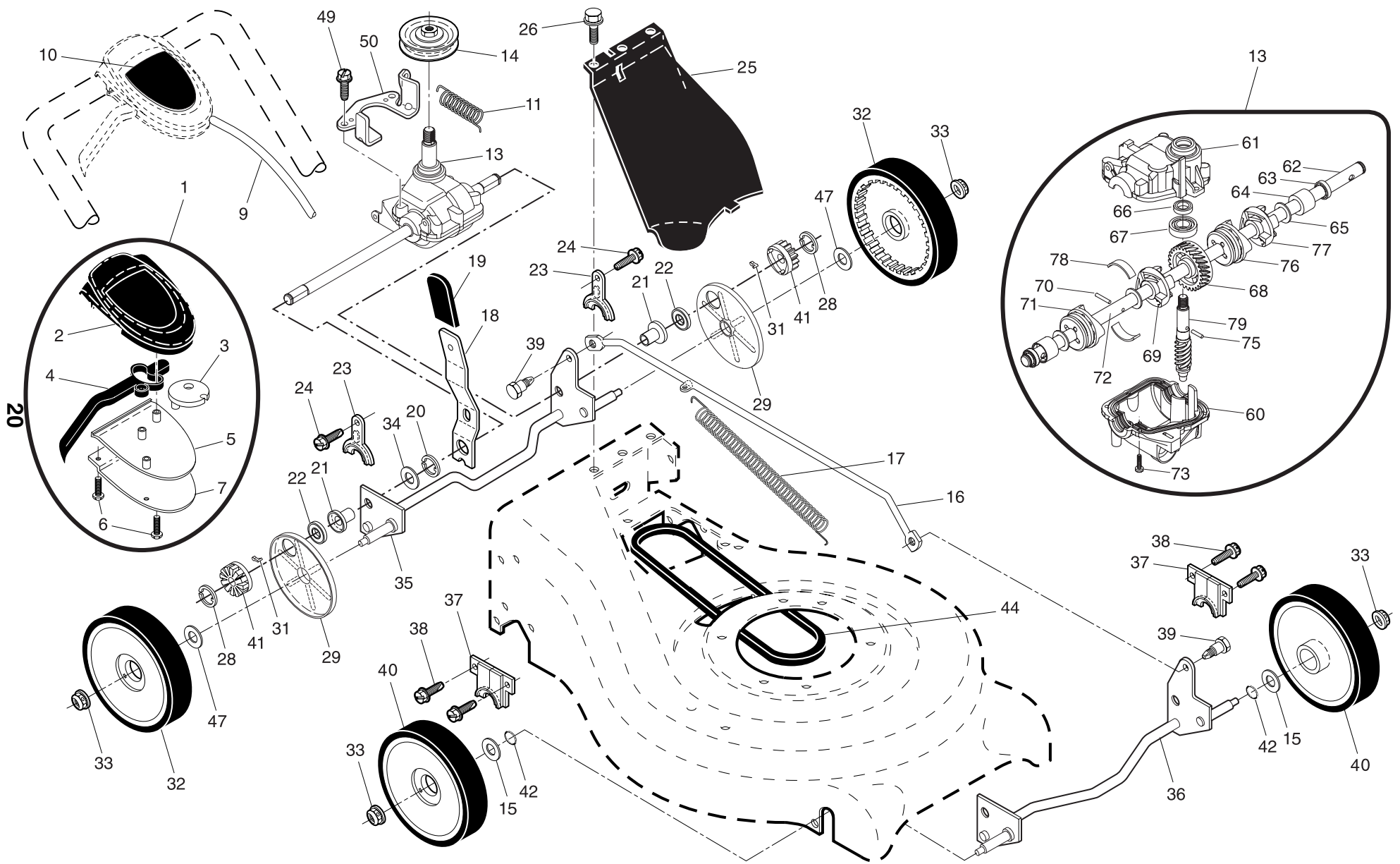
ROTARY LAWN MOWER - - MODEL NUMBER **5521RS** (96143000206) - PRODUCT NUMBER 961 43 00-02

KEY NO.	PART NO.	DESCRIPTION	KEY NO.	PART NO.	DESCRIPTION
1	532 19 99-82	Handle, Upper (Includes Foam Grip)	27	532 40 84-42	Skirt, Rear
2	532 19 72-02	Handle, Lower	28	532 08 86-52	Screw, Hinge 1/4-20 x 1.25
3	532 40 54-16	Spring, Rear Door, RH	29	532 19 12-21	Engine Zone Control Cable
4	532 19 47-88	Guide, Rope, Side	30	532 18 91-79	Blade Adapter / Pulley
5	532 13 20-04	Nut, Hex Lockwasher Insert 1/4-20	31	532 40 67-12	Blade, 21"
6	532 06 64-26	Wire, Tie	32	532 85 10-74	Washer, Hardened
7	532 19 15-74	Bolt, Handle 5/16-18 x 1.75	33	532 85 02-63	Lockwasher, Helical Spring 3/8
8	532 18 55-88	Knob, Handle	34	532 85 10-84	Screw, Hex Head 3/8-24 x 1.38
9	532 19 70-19	Bail, Flat, Auto-Walk, Orange	35	532 40 58-43	Debris Shield
10	532 18 88-21	Bolt, Carriage	36	532 19 23-25	Screw
11	532 75 11-53	Nut, Hex, Centerlock 5/16-18 UNC	37	532 15 04-06	Bolt, Engine
12	532 05 17-93	Cotter, Hairpin	38	- - -	Engine, Honda, Model Number GCV160 (For engine service and replacement parts, call Honda at 1-800-426-7701)
13	532 40 54-15	Spring, Rear Door, LH			
14	532 75 06-34	Screw			
15	532 12 51-62	Bracket, Upstop	39	532 40 97-26	Grassbag
16	532 40 88-88	Rear Door Assembly	40	532 40 74-53	Frame, Grassbag
17	532 18 41-93	Bolt, Rear Door	41	532 40 47-63	Danger Decal
18	532 19 81-70	Plug, Mulcher	42	532 05 45-83	Screw
19	532 41 04-53	Kit, Housing	45	532 19 05-10	Mulcher Door Assembly
20	532 19 40-29	Handle Bracket Assembly, LH	46	532 19 05-12	Deflector, Discharge
21	532 19 40-31	Handle Bracket Assembly, RH	47	532 08 83-49	Nut, Hex
22	532 15 00-78	Screw, Hex Washer Head	48	532 19 09-39	Mounting Bracket, Debris Shield
23	532 16 31-83	Bolt, Hex Head 5/16-18 x 5/8	58	532 18 20-03	Clip
24	873 80 05-00	Nut, Hex, with Lock Washer Insert 5/16-18	59	532 18 27-48	Grip, Handle, Foam, Smooth
25	532 16 13-33	Baffle, Side	96	532 19 79-91	Clip, Cable
26	532 16 34-09	Screw 12 x 5/8	--	532 40 47-64	Warning Decal (not shown)
			--	532 41 26-53	Owner's Manual, English / French

NOTE: All component dimensions given in U.S. inches. 1 inch = 25.4 mm

IMPORTANT: Use only Original Equipment Manufacturer (O.E.M.) replacement parts. Failure to do so could be hazardous, damage your lawn mower and void your warranty.

ROTARY LAWN MOWER - - MODEL NUMBER 5521RS (9614300206) - PRODUCT NUMBER 961 43 00-02



ROTARY LAWN MOWER - - MODEL NUMBER **5521RS** (96143000206) - PRODUCT NUMBER 961 43 00-02

KEY NO.	PART NO.	DESCRIPTION	KEY NO.	PART NO.	DESCRIPTION
1	532 40 73-44	Drive Control Assembly, Auto-Walk	35	532 41 09-22	Shaft Assembly, Rear
2	532 41 16-73	Cover, Top, Auto-Walk Drive Control	36	532 41 09-33	Shaft Assembly, Front
3	532 40 62-62	Pulley	37	532 16 14-63	Retainer, Front Shaft
4	532 19 00-39	Lever, Auto-Walk Drive Control	38	532 16 34-09	Screw #12 x 5/8
5	532 41 16-64	Cover, Bottom, Auto-Walk Drive Control	39	532 40 70-59	Bolt, Shoulder, Semi-Gimlet Point
6	532 18 16-98	Screw, Phillips Head #10 x 5/8	40	532 41 08-31	Wheel & Tire Assembly, Front 8 x 2
7	532 40 07-23	Plate, Trigger, Auto-Walk Drive Control	41	532 40 48-35	Pinion
9	532 40 62-58	Cable, Drive Control	42	532 19 74-80	O-Ring
10	532 18 93-78	Decal, Drive Control	44	532 40 65-80	V-Belt
11	532 40 65-58	Spring, Return	47	532 06 77-25	Washer 1/2 x 1-1/2 x .134
13	532 40 48-39	Gear Case Assembly (See Breakdown)	49	532 16 34-09	Screw, Hi-Lo Thread
14	532 19 34-43	Pulley, Drive	50	532 41 31-04	Belt Keeper
15	532 08 83-48	Washer, Flat	60	532 41 27-36	Case, Upper
16	532 40 71-47	Rod, Connecting	61	532 41 27-57	Shaft, Output, Long
17	532 40 49-42	Spring, Extension	62	532 18 35-08	Seal, Output Shaft
18	532 19 61-62	Spring Selector	63	532 18 35-11	Bushing
19	532 19 06-22	Knob, Selector Spring	64	532 18 35-09	Washer
20	812 00 00-22	E-Ring	65	532 18 35-14	Seal, Worm Shaft
21	532 41 24-50	Bearing, Support	66	532 18 35-06	Bearing, Ball
22	532 19 10-39	Bearing, Ball	67	532 41 27-42	Gear, 28 Teeth
23	532 16 45-55	Retainer, Drive Assembly, Stamped	68	532 41 27-39	Fixed Dog Clutch, LH
24	532 05 78-08	Screw, Tapping, Hex Head 1/4-20 x 3/4	69	532 41 27-41	Pin, Output Shaft
25	532 40 07-83	Cover Drive	70	532 41 27-40	Movable Dog Clutch, LH
26	532 75 06-34	Screw, Threaded, Rolled #10-25 x 1/2	71	532 41 27-56	Shaft, Output, Short
28	812 00 00-58	E-Ring 7/16	72	532 18 35-13	Screw, Case
29	532 18 94-03	Cover, Dust, Wheel	73	532 41 27-47	Case, Lower
31	532 40 48-45	Seal, Friction	75	532 41 27-46	Pin, Worm Shaft
32	532 41 31-05	Wheel & Tire Assembly, Rear	76	532 41 27-44	Fixed Dog Clutch, RH
33	532 40 91-48	Nut, Hex, Flangelock 3/8-16	77	532 41 27-43	Movable Dog Clutch, RH
34	532 85 12-26	Washer	78	532 41 07-31	Spring, Leaf
			79	532 41 27-37	Shaft, Worm

NOTE: All component dimensions given in U.S. inches. 1 inch = 25.4 mm

IMPORTANT: Use only Original Equipment Manufacturer (O.E.M.) replacement parts. Failure to do so could be hazardous, damage your lawn mower and void your warranty.