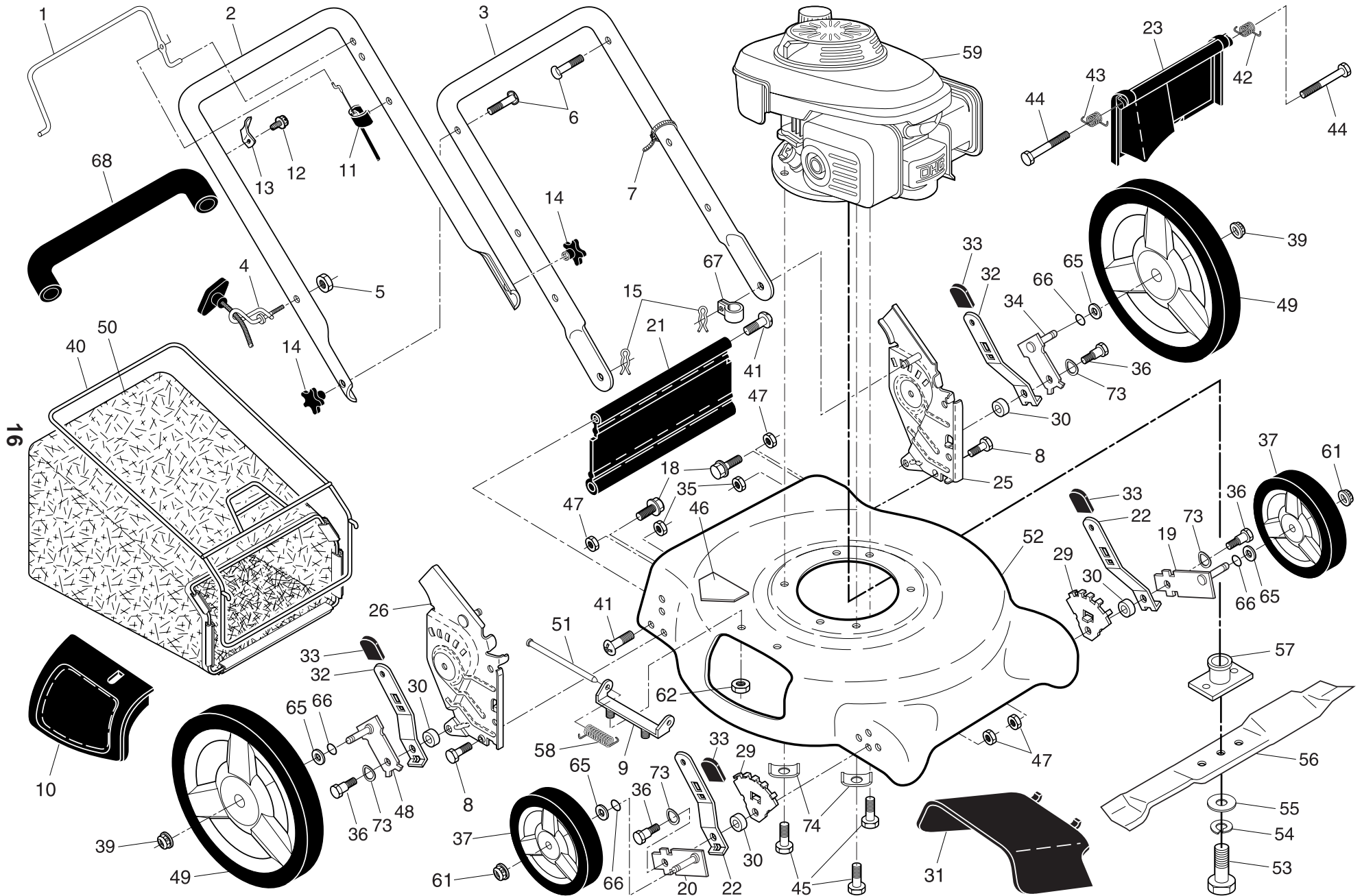


ROTARY LAWN MOWER - - MODEL NUMBER 5521CM (96133000305) PRODUCT NUMBER 961 33 00-03



ROTARY LAWN MOWER - - MODEL NUMBER 5521CM (96133000305) PRODUCT NUMBER 961 33 00-03

KEY NO.	PART NO.	DESCRIPTION	KEY NO.	PART NO.	DESCRIPTION
1	532 40 29-49	Control Bar	40	532 41 19-49	Frame, Grassbag
2	532 19 78-08	Upper Handle (Includes Foam Grip)	41	532 08 86-52	Hinge Screw
3	532 17 41-10	Lower Handle	42	532 40 54-21	Spring, Rear Door, LH
4	532 19 47-88	Rope Guide	43	532 40 54-23	Spring, Rear Door, RH
5	532 13 20-04	Locknut, Hex 1/4-20	44	532 18 41-93	Bolt, Rear Door
6	532 19 15-74	Handle Bolt	45	532 15 04-06	Hex Head Thread Rolling Screw 3/8-16 x 1
7	532 06 64-26	Wire Tie	46	532 40 47-63	Danger Decal
8	874 78 05-12	Hex Bolt 5/16-18 x 3/4	47	532 16 67-85	Locknut, Hex 5/16-18
9	532 15 41-32	Hinge Bracket Assembly	48	532 41 06-01	Axle Arm Assembly, Rear, RH
10	532 18 55-89	Mulcher Door	49	532 41 08-15	Wheel & Tire Assembly, Rear 12 x 1-3/4
11	532 17 65-56	Engine Zone Control Cable	50	532 40 11-91	Grassbag
12	532 75 06-34	Hex Washer Head Screw #10-24 x 1/2	51	532 14 72-86	Hinge Rod
13	532 12 52-03	Up-Stop Bracket	52	532 41 06-37	Kit, Lawn Mower Housing Assembly (Includes Key Number 46)
14	532 18 55-88	Handle Knob	53	532 85 10-84	Hex Head Screw 3/8-24 x 1-3/8 Grade 8
15	532 05 17-93	Hairpin Cotter	54	532 85 02-63	Helical Lockwasher
17	817 60 04-06	Screw 1/4-20 x 3/8	55	532 85 10-74	Hardened Washer
19	532 40 66-89	Axle Arm Assembly, Front, LH	56	532 40 67-12	21" Blade
20	532 40 66-90	Axle Arm Assembly, Front, RH	57	532 19 37-07	Blade Adapter
21	532 41 31-60	Rear Skirt	58	532 15 21-24	Spring, Torsion
22	532 40 64-28	Selector Spring, Front	59	- - -	Engine, Honda, Model Number GCV160 (Order parts from engine manufacturer)
23	532 41 06-03	Rear Door Assembly	61	532 40 91-48	Nut, Hex, Flangelock
25	532 41 39-24	Handle Bracket Assembly, LH	62	873 80 04-00	Nut, Hex, Nylock 1/4-20
26	532 41 39-25	Handle Bracket Assembly, RH	65	532 08 83-48	Washer, Flat
29	532 41 05-94	Wheel Adjusting Bracket, Front	66	532 19 74-80	O-Ring
30	532 40 16-29	Spacer	67	532 19 79-91	Clip, Cable
31	532 18 55-95	Discharge Deflector	68	532 16 42-65	Grip, Foam
32	532 41 05-95	Selector Spring, Rear	73	532 40 16-30	Washer, Curved Cylindrical
33	532 18 55-74	Selector Knob	74	532 12 50-78	Washer, Special, Engine, Zinc-Plated
34	532 41 06-00	Axle Arm Assembly, Rear, LH	--	532 40 47-64	Warning Decal (not shown)
35	532 75 11-53	Nut, Hex	--	532 41 73-94	Owner's Manual, English / French
36	532 40 16-38	Shoulder Bolt 5/16-18			
37	532 41 08-31	Wheel & Tire Assembly, Front 8 x 1-3/4			
39	532 40 91-49	Nut, Hex, Flangelock			

NOTE: All component dimensions given in U.S. inches. 1 inch = 25.4 mm

IMPORTANT: Use only Original Equipment Manufacturer (O.E.M.) replacement parts. Failure to do so could be hazardous, damage your lawn mower and void your warranty.