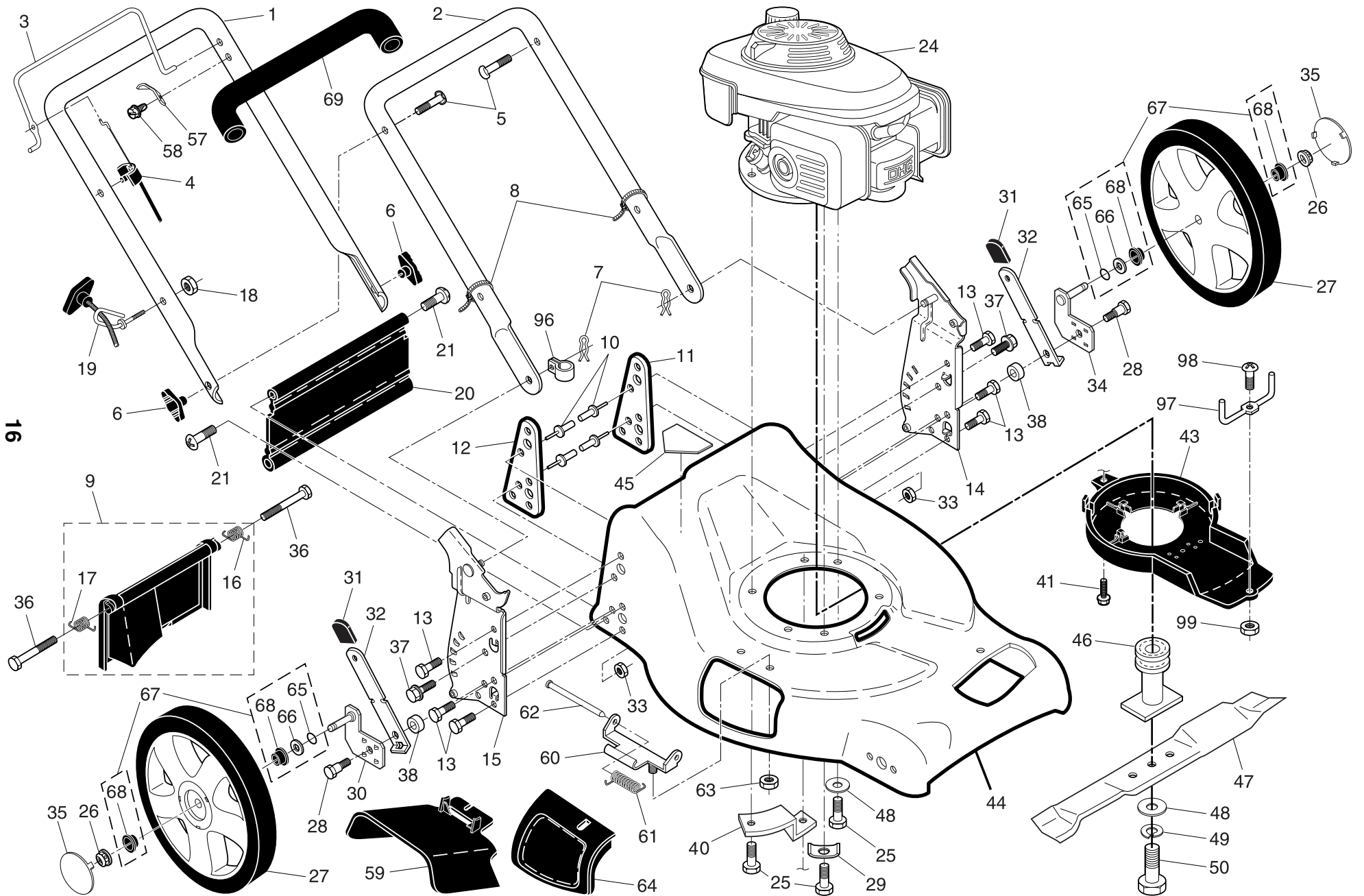


ROTARY LAWN MOWER - - MODEL NUMBER 5521CHV (96143000102) - PRODUCT NUMBER 961 43 00-01



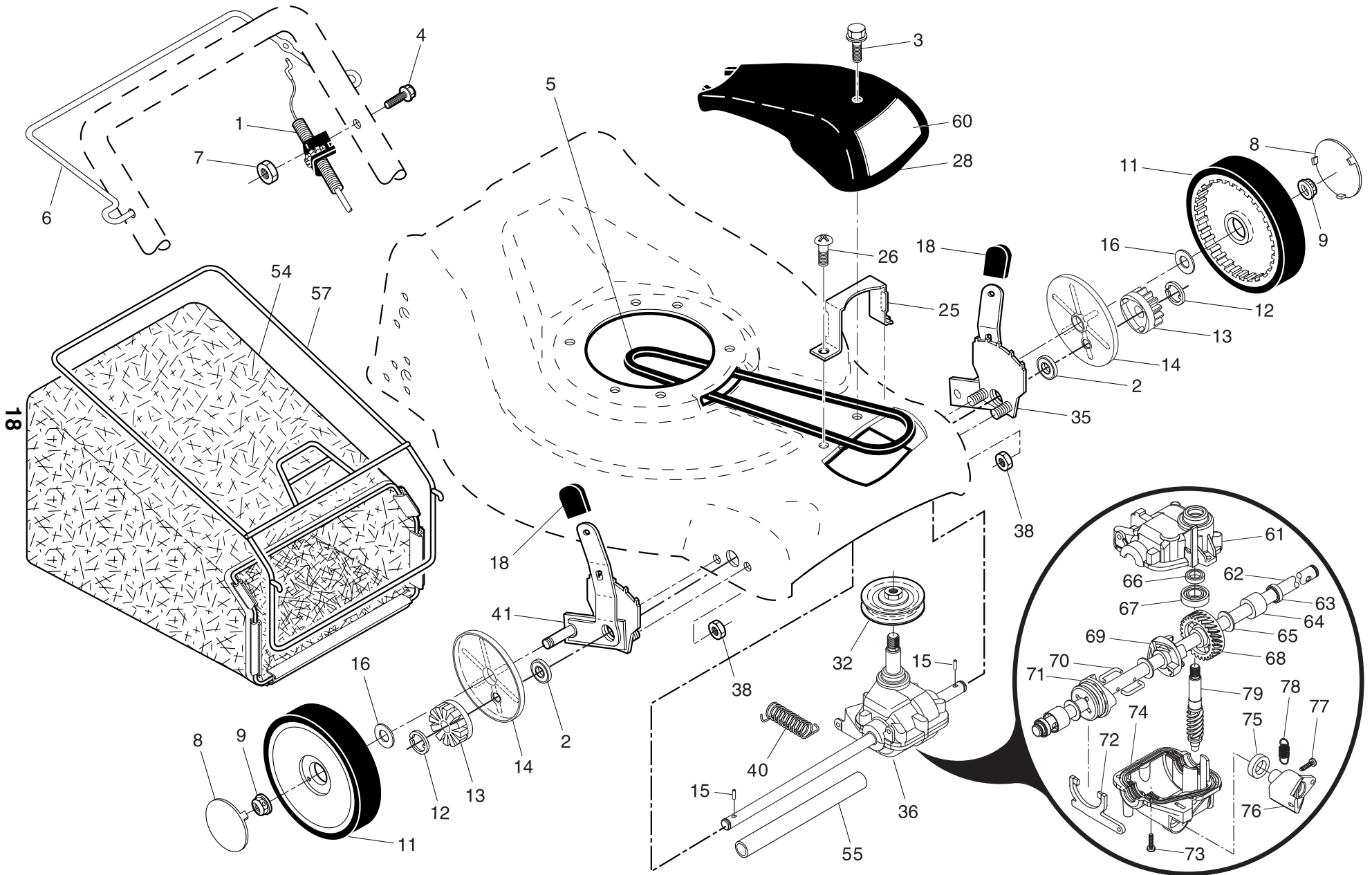
ROTARY LAWN MOWER - - MODEL NUMBER 5521CHV (96143000102) - PRODUCT NUMBER 961 43 00-01

KEY NO.	PART NO.	DESCRIPTION	KEY NO.	PART NO.	DESCRIPTION
1	532 18 60-24	Upper Handle	34	532 18 25-42	Axle Arm Assembly, Rear, LH
2	532 15 34-18	Lower Handle	35	532 19 18-53	Hubcap
3	532 18 60-11	Control Bar	36	532 18 41-93	Bolt
4	532 18 35-67	Engine Zone Control Cable	37	532 15 00-78	Thread Cutting Screw w/Sems 5/16-18 x 3/4
5	532 19 15-74	Handle Bolt	38	819 11 22-06	Washer
6	532 19 18-56	Handle Knob	40	532 19 09-39	Mounting Bracket, Debris Shield
7	532 05 17-93	Hairpin Cotter	41	532 19 23-25	Screw
8	532 06 64-26	Wire Tie	43	532 19 89-10	Debris Shield
9	532 18 04-79	Kit, Rear Door (Includes Key #16 and 17)	44	532 18 55-83	Kit, Lawn Mower Housing (Includes Key Numbers 10, 11, 12 and 45)
10	532 12 84-15	Pop Rivet	45	532 10 73-39	Danger Decal
11	532 18 25-38	Support Bracket, LH	46	532 19 40-37	Blade Adapter / Pulley
12	532 18 25-39	Support Bracket, RH	47	532 18 90-28	Blade, 21"
13	817 06 04-10	Screw 1/4-20 x 5/8	48	532 85 10-74	Hardened Washer
14	532 18 25-43	Handle Bracket Assembly, LH	49	532 85 02-63	Helical Washer 3/8-24 x 1-3/8 Grade 8
15	532 18 25-45	Handle Bracket Assembly, RH	50	532 85 10-84	Hex Head Machine Screw 3/8-24 x 1-3/8 Grade 8
16	532 18 00-71	Spring, LH	57	532 12 51-62	Upstop Bracket
17	532 18 00-72	Spring, RH	58	532 75 06-34	Screw
18	532 13 20-04	Keps Locknut 1/4-20	59	532 18 55-82	Discharge Deflector
19	532 17 95-85	Rope Guide	60	532 17 57-35	Hinge Bracket
20	532 18 90-05	Rear Skirt	61	532 19 30-00	Spring
21	532 08 86-52	Screw, Tapping 1/4-20 x 1/2	62	532 17 56-50	Hinge Rod
24	- - -	Engine, Honda, Model Number GCV160 (For engine service and replacement parts, call Honda Engines at 1-800-426-7701)	63	873 80 04-00	Nut, Hex
25	532 15 04-06	Hex Head Thread Rolling Screw 3/8-16 x 1-1/8	64	532 18 55-76	Mulcher Door
26	532 08 39-23	Hex Flange Nut	65	532 18 81-52	O-Ring
27	532 18 55-72	Wheel & Tire Assembly, Rear, 14"	66	532 08 83-48	Washer, Flat 1/2
28	532 16 08-28	Shoulder Bolt 5/16-18 x .33	67	532 19 34-98	Kit, Bushing
29	532 12 50-78	Washer, Engine, Zinc-Plated	68	532 19 36-96	Bushing, Nylon, Black
30	532 18 25-41	Axle Arm Assembly, Rear, RH	69	532 18 63-62	Grip, Foam
31	532 18 55-75	Selector Knob	97	532 19 71-62	Belt Keeper
32	532 18 25-37	Selector Spring	98	532 18 22-27	Screw
33	873 80 05-00	Nut, Hex 5/16-18	99	532 18 22-28	Nut, Hex
			--	532 19 90-33	Owner's Manual, English / French

NOTE: All component dimensions given in U.S. inches. 1 inch = 25.4 mm

IMPORTANT: Use only Original Equipment Manufacturer (O.E.M.) replacement parts. Failure to do so could be hazardous, damage your lawn mower and void your warranty.

ROTARY LAWN MOWER - - MODEL NUMBER 5521CHV (96143000102) - PRODUCT NUMBER 961 43 00-01



ROTARY LAWN MOWER - - MODEL NUMBER **5521CHV** (96143000102) - PRODUCT NUMBER 961 43 00-01

KEY NO.	PART NO.	DESCRIPTION	KEY NO.	PART NO.	DESCRIPTION
1	532 19 34-80	Drive Control Assembly, with Cable	41	532 19 51-07	Kit, Wheel Adjuster, RH (Includes Knob and Bearing)
2	532 19 10-39	Bearing, Wheel Adjuster	54	532 19 47-24	Grassbag Assembly
3	532 17 52-62	Pan Head Tapping Screw #10-24 x 2-3/4	55	532 17 57-39	Driveshaft Cover
4	532 18 56-81	Hex Washer Head Screw 1/4-20 x 2.12	57	532 19 46-43	Frame, Grassbag
5	532 19 41-49	V-Belt	60	532 18 90-66	Decal, Drive Cover
6	532 19 90-93	Control Bar, Drive	61	532 19 68-86	Case, Upper
7	532 75 11-52	Locknut, Hex #10-24	62	532 19 68-85	Shaft, Output
8	532 18 06-26	Hubcap	63	532 18 35-08	Seal, Output Shaft
9	532 14 52-12	Locknut, Hex	64	532 18 35-11	Bushing
11	532 18 07-67	Wheel & Tire Assembly	65	532 18 35-09	Washer
12	812 00 00-58	E-Ring	66	532 18 35-14	Seal, Worm Shaft
13	532 75 00-03	Pinion	67	532 18 35-06	Bearing, Ball
14	532 18 94-03	Dust Cover	68	532 18 34-99	Gear, 27 Teeth
15	532 19 10-17	Pawl, Drive	69	532 19 68-84	Fixed Dog Clutch
16	532 06 77-25	Washer 1/2 x 1-1/2 x .134	70	532 18 35-05	Wireform
18	532 18 55-74	Selector Knob	71	532 19 68-83	Movable Dog Clutch
25	532 19 90-89	Belt Keeper	72	532 19 68-82	Fork
26	532 15 00-78	Screw	73	532 18 35-13	Screw, Case
28	532 18 55-79	Drive Cover	74	532 19 68-81	Case, Lower
32	532 19 40-18	Drive Pulley	75	532 19 68-80	Seal, Lever
35	532 19 51-10	Kit, Wheel Adjuster, LH (Includes Knob and Bearing)	76	532 19 68-79	Lever
36	532 18 82-96	Gearcase Assembly, Complete	77	532 19 68-78	Screw, Lever
38	873 80 04-00	Locknut, Hex 1/4-20	78	532 19 68-77	Spring
40	532 19 28-49	Spring	79	532 18 35-02	Shaft, Worm

NOTE: All component dimensions given in U.S. inches. 1 inch = 25.4 mm

IMPORTANT: Use only Original Equipment Manufacturer (O.E.M.) replacement parts. Failure to do so could be hazardous, damage your lawn mower and void your warranty.