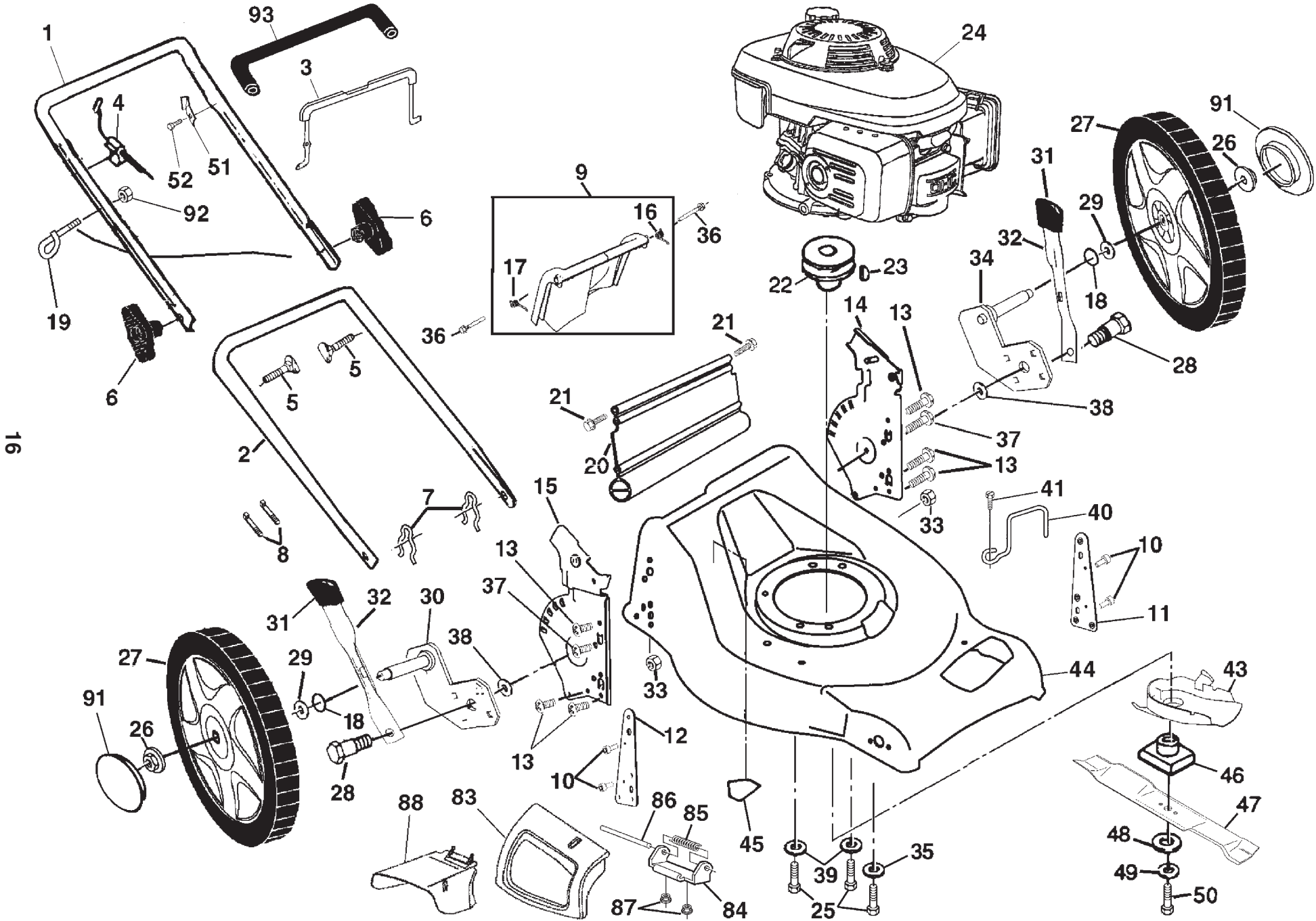


ROTARY LAWN MOWER - - MODEL NUMBER 5521CH (5521CHB) - PRODUCT NUMBER 954 22 32-34



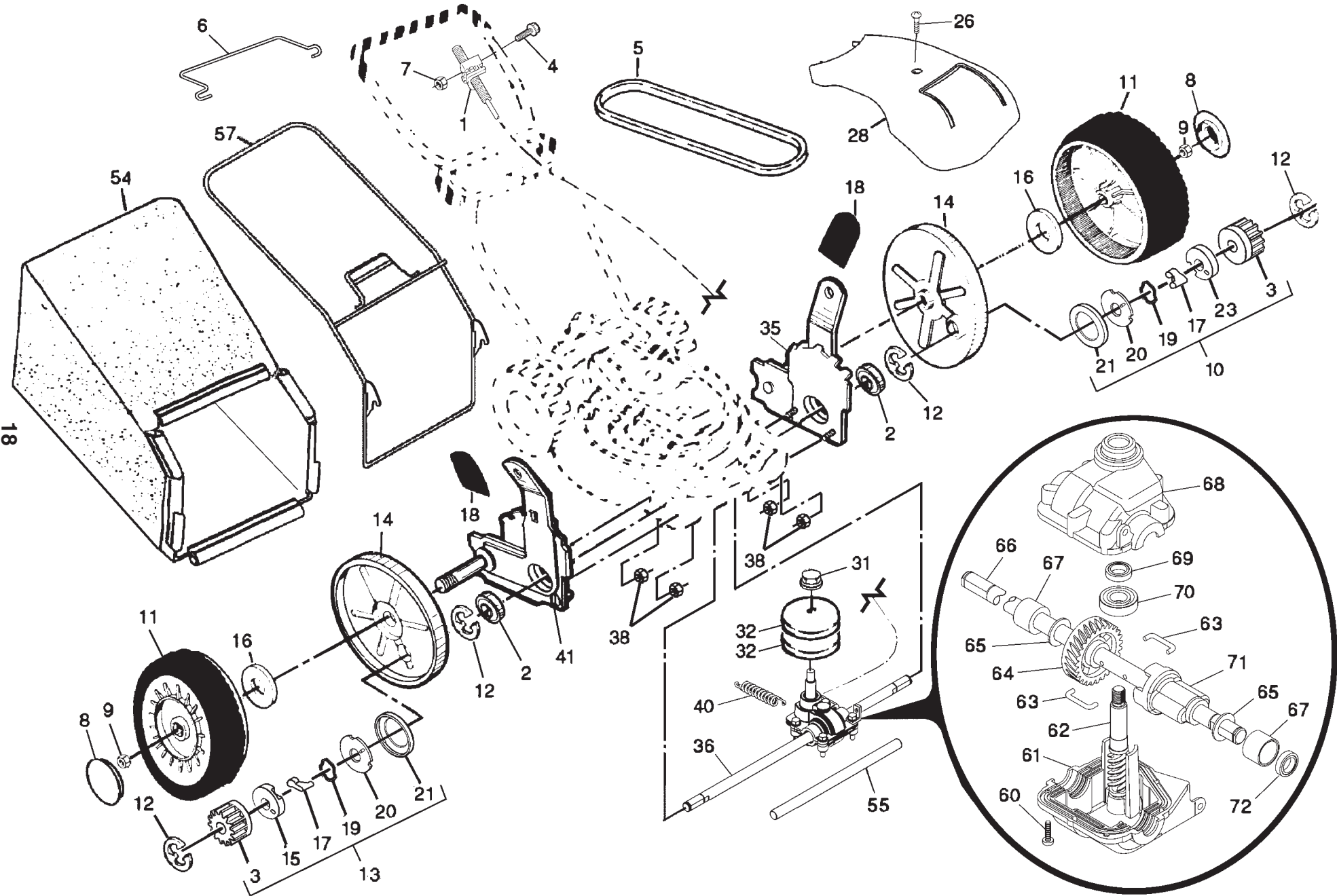
ROTARY LAWN MOWER - - MODEL NUMBER 5521CH (5521CHB) - PRODUCT NUMBER 954 22 32-34

KEY NO.	PART NO.	DESCRIPTION
1	532 18 60-24	Upper Handle (Includes Foam Grip)
2	532 15 34-18	Lower Handle
3	532 18 60-11	Control Bar
4	532 18 27-55	Engine Zone Control Cable
5	532 13 19-59	Handle Bolt
6	532 18 55-77	Handle Knob
7	532 05 17-93	Hairpin Cotter
8	532 06 64-26	Wire Tie
9	532 18 04-79	Rear Door Kit (Includes Key #16 and 17)
10	532 12 84-15	Pop Rivet
11	532 18 25-38	Support Bracket, LH
12	532 18 25-39	Support Bracket, RH
13	817 06 04-10	Screw 1/4-20 x 5/8
14	532 18 25-43	Handle Bracket Assembly (Left)
15	532 18 25-45	Handle Bracket Assembly (Right)
16	532 18 00-71	Spring, LH
17	532 18 00-72	Spring, RH
18	532 18 81-52	O-Ring
19	532 17 95-85	Rope Guide
20	532 17 83-98	Rear Skirt
21	532 08 86-52	Hinge Screw 1/4-20 x 1-1/4
22	532 16 97-47	Engine Pulley
23	532 08 76-77	Hi-Pro Key #505
24	- - -	Engine, Honda, Model Number GCV160 (Order parts from engine manufacturer)
25	532 15 04-06	Hex Head Thread Rolling Screw 3/8-16 x 1-1/8
26	532 08 39-23	Hex Flange Nut
27	532 18 55-72	Wheel
28	532 16 08-28	Shoulder Bolt 5/16-18 x .33
29	532 08 83-48	Washer, Flat 3/8
30	532 18 25-41	Axle Arm Assembly RR
31	532 18 55-75	Selector Knob
32	532 18 25-37	Selector Spring

KEY NO.	PART NO.	DESCRIPTION
33	873 80 05-00	Locknut
34	532 18 25-42	Axle Arm Assembly, LR
35	532 12 50-78	Washer
36	532 18 41-93	Bolt
37	532 15 00-78	Thread Cutting Screw w/Sems 5/16-18 x 3/4
38	532 18 39-01	Washer
39	532 85 10-74	Washer
40	532 18 38-65	Keeper, Belt
41	532 17 37-15	Screw
43	532 18 37-55	Bottom Belt Cover
44	532 18 55-83	Lawn Mower Housing (Includes Key Numbers 10, 11, 12 and 45)
45	532 10 73-39	Danger Decal
46	532 85 15-14	Blade Adapter
47	532 17 61-35	Blade 21"
48	532 18 60-39	Hardened Washer
49	532 85 02-63	Helical Washer 3/8-24 x 1-3/8 Grade 8
50	532 85 10-84	Hex Head Machine Screw 3/8-24 x 1-3/8 Grade 8
51	532 12 51-62	Bracket, Upstop
52	532 75 06-34	Screw
83	532 18 55-76	Mulch Door
84	532 17 57-35	Hinge Bracket Assembly
85	532 17 52-85	Spring
86	532 17 56-50	Rod, Hinge
87	873 80 04-00	Locknut
88	532 18 55-82	Clipping Deflector
91	532 18 55-73	Hubcap
92	532 13 20-04	Nut, Hex
93	532 18 63-62	Grip, Foam
--	532 16 23-00	Warning Decal (Not Shown)
--	532 18 73-87	Owner's Manual, English/French

NOTE: All component dimensions given in U.S. inches.
1 inch = 25.4 mm

ROTARY LAWN MOWER - - MODEL NUMBER 5521CH (5521CHB) - PRODUCT NUMBER 954 22 32-34



ROTARY LAWN MOWER - - MODEL NUMBER 5521CH (5521CHB) - PRODUCT NUMBER 954 22 32-34

19

KEY NO.	PART NO.	DESCRIPTION
1	532 18 56-85	Vari-Speed Drive Control Assembly
2	532 16 99-11	Bearing, Wheel Adjuster
3	532 17 51-03	Gear, Pinion
4	532 18 56-81	Screw
5	532 16 97-78	V-Belt
6	532 18 60-10	Bar, Control, Drive
7	532 75 11-52	Nut, Hex
8	532 18 06-26	Hubcap
9	532 14 52-12	Locknut
10	532 18 82-92	Pinion Assembly, LH
11	532 18 07-67	Wheel & Tire Assembly
12	812 00 00-58	E-Ring
13	532 18 82-93	Pinion Assembly, RH
14	532 18 05-04	Dust Cover
15	532 17 51-02	Retainer, Drive, RH
16	532 06 77-25	Washer 1/2 x 1-1/2 x .134
17	532 17 50-98	Pawl
18	532 18 55-74	Selector Knob
19	532 18 82-91	Spring, Torsion
20	532 17 51-04	Disc, Drive
21	532 17 51-01	Seal, Pinion
23	532 17 51-05	Retainer, Drive, LH
26	532 17 52-62	Pan Head Tapping Screw #10-24 x 2-3/4
28	532 18 55-79	Drive Cover
31	532 13 20-10	Hex Flange Nut
32	532 16 97-42	Pulley Half, Drive

KEY NO.	PART NO.	DESCRIPTION
35	532 18 09-15	Kit, Wheel Adjuster, LH (Includes Knob and Bearing)
36	532 18 72-12	Gear Case Assembly, Complete
38	873 80 04-00	Locknut 1/4-20
40	532 18 22-26	Spring
41	532 18 09-14	Kit, Wheel Adjuster, RH (Includes Knob and Bearing)
54	532 18 55-81	Grassbag Assembly
55	532 17 57-39	Driveshaft Cover
57	532 18 39-93	Frame
60	532 18 35-13	Screw
61	532 18 75-25 *	Case, Lower
62	532 18 75-27	Shaft, Input
63	532 18 35-05	Wire, Formed
64	532 18 34-99	Gear, 27 Teeth
65	532 18 35-09	Washer
66	532 18 75-29	Shaft, Output
67	532 18 35-11	Bushing
68	532 18 75-26 *	Case, Upper
69	532 18 35-14	Seal, Input Shaft
70	532 18 35-06	Bearing, Ball
71	532 18 75-28	Spacer
72	532 18 35-08	Seal, Output Shaft

* Use Dow Corning #709 to reseal Gear Case Halves.

NOTE: All component dimensions given in U.S. inches.
1 inch = 25.4 mm