

# INSTRUCTION MANUAL

MANUAL DE INSTRUCCIONES ESPAÑOLAS – PÁGINA 17

**MODEL:** 5520MK103A

**SERIAL NUMBER:** \_\_\_\_\_

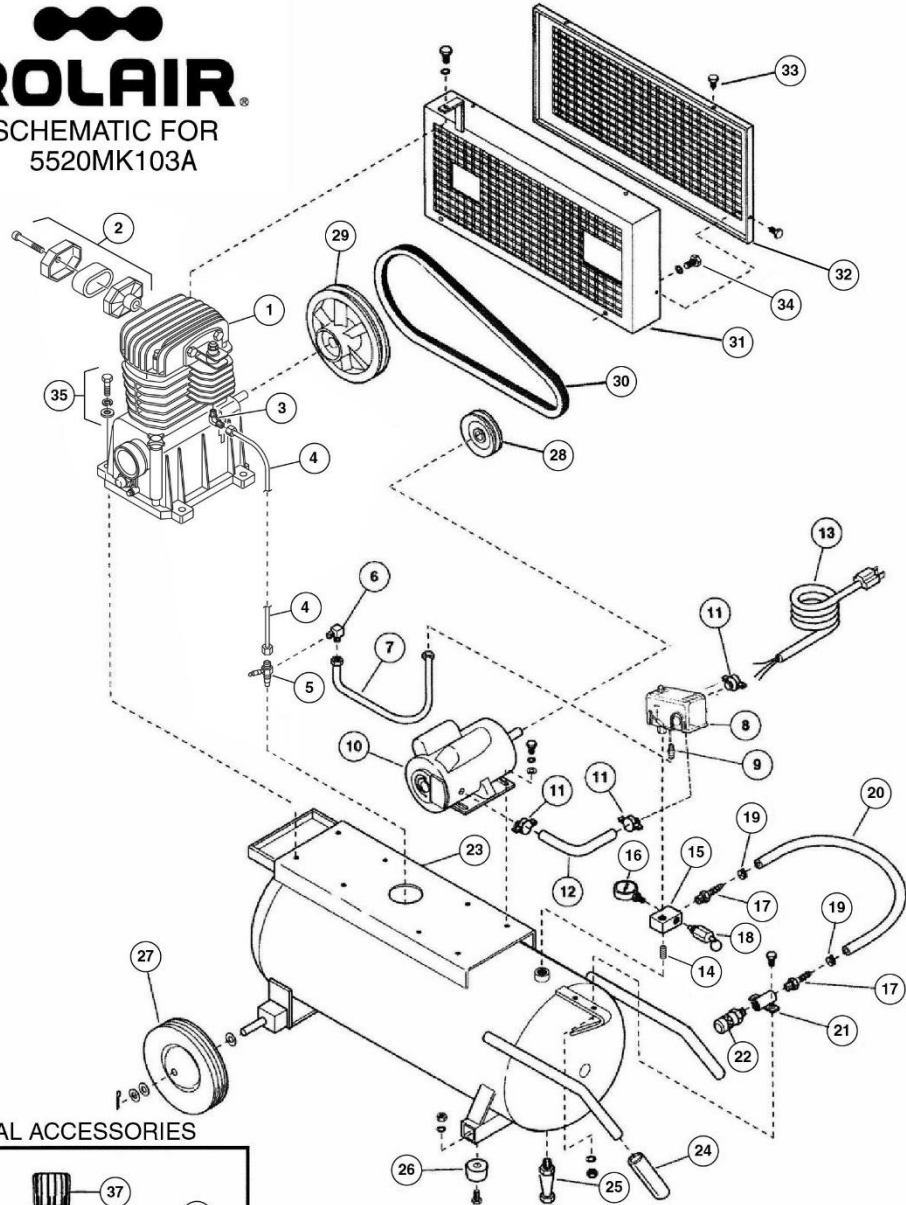
**Thank you for purchasing a ROLAIR!**

If after reading this manual you have any questions whatsoever on the proper installation, operation, or maintenance of your air compressor please feel free to contact our Customer Service Department at 1-800-310-3573.

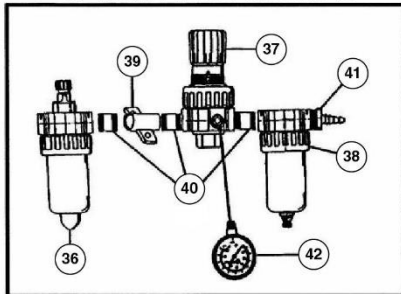
**We would love to hear from you!**

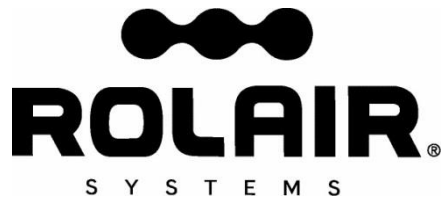


  
**ROLAIR**<sup>®</sup>  
 SCHEMATIC FOR  
 5520MK103A



OPTIONAL ACCESSORIES





## PARTS LIST FOR MODEL 5520MK103A

Schematic #	Description	Part #	Qty.
1	Complete Pump with Flywheel	PMP12MK103	1
2	Silencer/Filter Assembly	FC317001000	1
3	Brass Elbow	BREL0500X050039	1
4	Discharge Tube*	5520MK103-DISCH-TB	1
5	Check Valve**	CV4X4L1	1
6	Brass Elbow	BREL0250X012539	1
7	1/4" Nylon Tubing	Specify Serial Number	1
8	Pressure Switch	PS2020M	1
9	Pressure Switch Relief Valve	PS2020RV	1
10	1.5 HP Motor	MTRC101	1
	1.5 HP Motor w/Dual Voltage Switch	MTRC102	1
11	Box Connector	161	3
12	Cord - 19"	173	1
13	Cord with Plug	170	1
14	Nipple	BLNP0500X1500	1
15	Aluminum Block Manifold***	154	1
16	Gauge - Tank	GA0250200GC	1
17	Brass Coupler	BRCP0375X0375H12	2
18	Safety Relief Valve	SRV0250A165	1
19	Hose Clamp	177A	2
20	3/8" Rubber Hose - 16"	178A	1.34'
21	Accessory Bracket	210	1
22	Quick Disconnect	309A	1
23	20 Gallon Tank Assembly - Non-Code	NLA (4/15)	1
	20 Gallon Tank Assembly - ASME	TNKASY5520A	1
24	Handle Grip	328	2
25	Drain Valve	132BV	1
26	Rubber Foot	219	2
27	Semi-Pneumatic Tire	WLS50	2
28	Pulley	PUAK54X0875	1
29	Flywheel	FC103160010	1
30	Belt	BT4L490/A47	1
31	Belt Guard Base	BG566A	1
32	Belt Guard Cover	BG567	1
33	10#-1/2" Sheet Metal Screw (current)	MIS10092	5
	Self-Tapping Screw (prior production)	MIS10093C	5
34	Washer	MIS10108	2
	Lock Washer	MIS10098	2
	Bolt	MIS10004	2
35	Bolt	MIS10027	4
	Lock Washer	MIS10099	4
	Flat Washer	MIS10102	4
<b>ACCESSORIES</b>			
36	Lubricator	LUB0375	1
37	Regulator	REG0375	1
38	Filter	FIL0375	1
39	Accessory Bracket	210	1
40	Nipple	BLNP0375X1500	3
41	Brass Coupler	BRCP0375X0375H12	1
42	Gauge - Line	GA0250200GC	1

\*Consult factory for discharge tube part # if your unit is equipped with a pulsation chamber.

\*\*Order part #CV4X4L2 if unit is built with dual controls.

\*\*\*Order part #154D if unit is built with dual controls.

