



# 6-inch Horizontal Grinder

#550680, JCT-6680



## Operation & Parts Manual

M-550680

Edition 3

11/2018

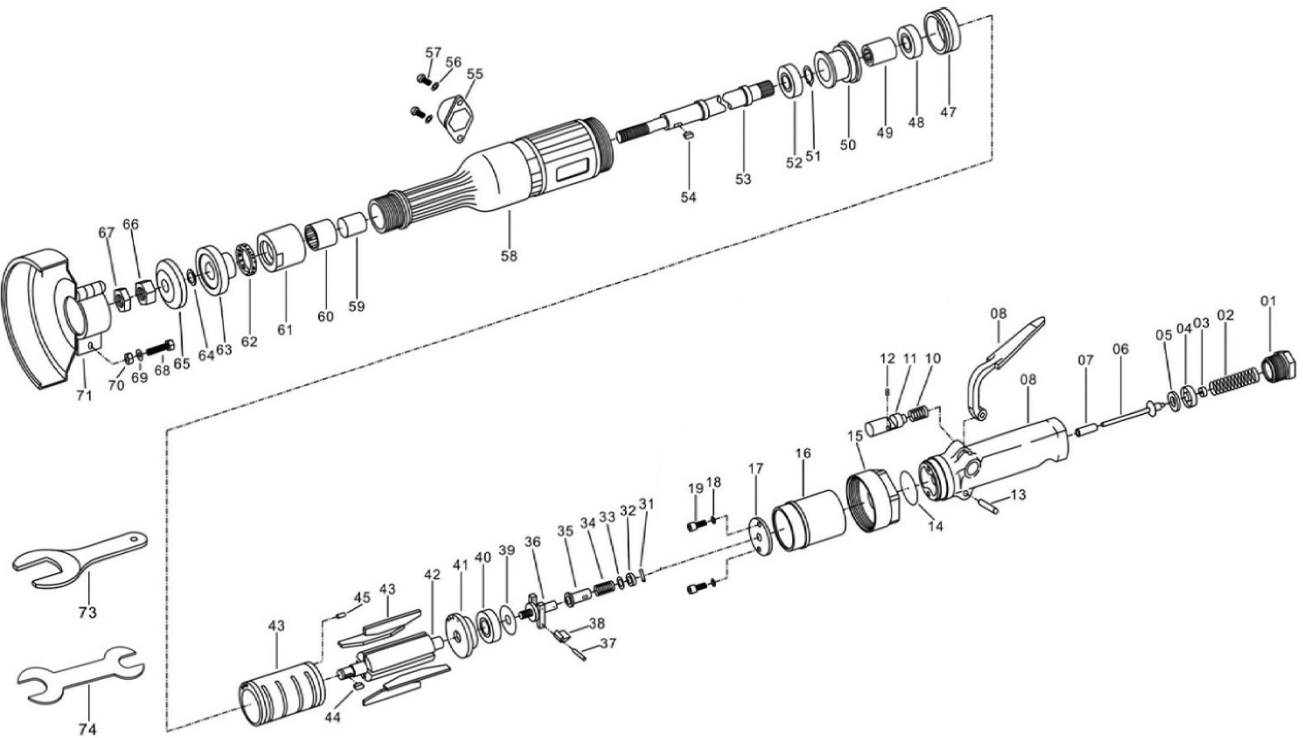


Stock No.:
Serial No.:
Purchased from:
Date purchased:

**JET**  
427 New Sanford Road  
LaVergne, TN 37086  
Ph.: 800-274-6848  
[www.jettools.com](http://www.jettools.com)

Copyright © 2016 JET

# #550680, JCT-6680 6-inch Horizontal Grinder



## #550680, JCT-6680 6-inch Horizontal Grinder

Index	Part No.	Description	Qty
1	JCT6680-01	Air inlet 3/8in. NPT	1
2	JCT6680-02	Throttle valve spring	1
3	JCT6680-03	Sub throttle valve	1
4	JCT6680-04	Throttle valve washer	1
5	JCT6680-05	Throttle valve	1
6	JCT6680-06	Throttle valve rod	1
7	JCT6680-07	Throttle rod bushing	1
8	JCT6680-08	Throttle valve body	1
9	JCT6680-09	Throttle lever	1
10	JCT6680-10	Lock spring	1
11	JCT6680-11	Throttle lock pin	1
12	JCT6680-12	Set screw	1
13	JCT6680-13	Needle roller	1
14	JCT6680-14	O-ring S22	1
15	JCT6680-15	Cup nut	1
16	JCT6680-16	Housing cover	1
17	JCT6680-17	Washer	1
18	TS-2361051	Lock washer M5	2
19	TS-1502051	Soc. hd. cap screw M5x20	2
31	JCT6680-31	Needle roller	1
32	JCT6680-32	Governor spring holder	1
33	JCT6680-33	Adjusting washer T=0.2	1
34	JCT6680-34	Governor spring	1
35	JCT6680-35	Governor valve	1
36	JCT6680-36	Governor cage	1
37	JCT6680-37	Pin	2
38	JCT6680-38	Governor weight	2
39	JCT6680-39	Bearing cover	1
40	JCT6680-40	Ball bearing 6002MN	1
41	JCT6680-41	Cylinder upper plate	1
42	JCT6680-42	Rotor	1
43	JCT6680-43	Rotor vane	4

Index	Part No.	Description	Qty
44	JCT6680-44	Key	1
45	JAT104-17	Spring pin 3x8L	1
46	JCT6680-46	Cylinder	1
47	JCT6680-47	Cylinder lower plate	1
48	BB-6301	Ball bearing 6301	1
49	JCT6680-49	Coupling	1
50	JCT6680-50	Spacer	1
51	JCT6680-51	Snap ring	1
52	BB-6202	Ball bearing 6202	1
53	JCT6680-53	Wheel spindle	1
54	JCT6680-54	Key	1
55	JCT6680-55	Exhaust cover	1
56	TS-2361051	Lock washer M5	2
57	F005669	Soc. hd. cap screw M5x14	2
58	JCT6680-58	Housing	1
59	JCT6680-59	Inner race	1
60	JCT6680-60	Needle bearing 20x26x20mm	1
61	JCT6680-61	Spindle bearing cover	1
62	JCT6680-62	Felt ring	1
63	JCT6680-63	Wheel flange (A)	1
64	JCT6680-64	Snap ring	1
65	JCT6680-65	Wheel flange (B)	1
66	JCT6680-66	Nut 5/8-11x10mm	1
67	JCT6680-67	Nut 5/8-11x6mm	1
68	JCT6680-68	Hexagon bolt 6x20	1
69	TS-2361061	Lock washer M6	1
70	TS-1541021	Nut M6	1
71	JCT6680-71	Wheel guard	1
73	JCT6680-73	Wrench 50mm	1
74	JCT6680-74	Double end wrench	1

JCT6680-RPK, Repair Kit, contains #39,40,43(4),44,45,48,51,52