



Pneumatic Sand Rammer

s/n 16080291 and higher **#550600, JCT-1600**

s/n after 16080174 **#550601, JCT-1601**

s/n after 16080130 **#550602, JCT-1602**

s/n after 16080090 **#550603, JCT-1603**

s/n after 18080126 **#550604, JCT-1604**

s/n 16080060 and higher **#550605, JCT-1605**



JCT-1605

JCT-1600

Operation & Parts Manual

M-550600

Edition 3

11/2018

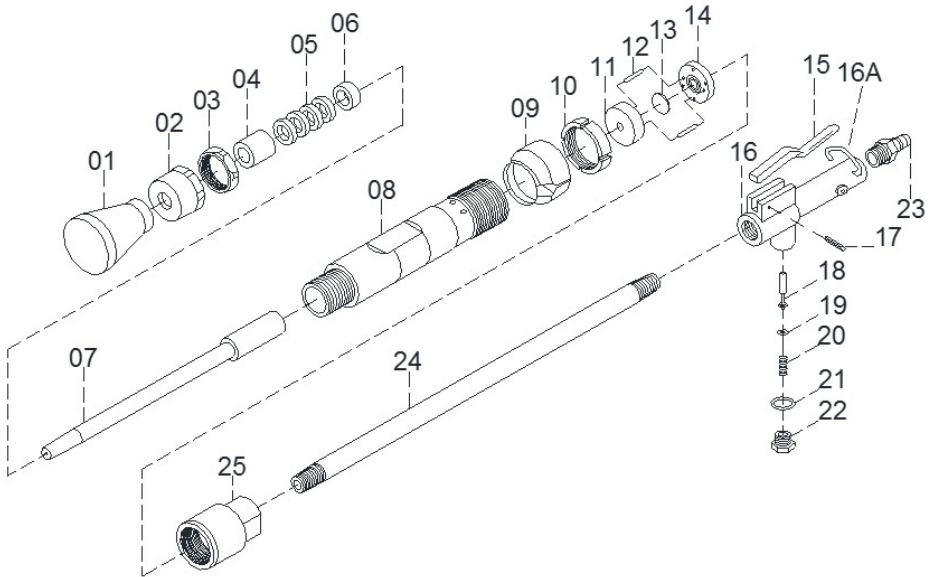


Stock No.:
Serial No.:
Purchased from:
Date purchased:

JET
427 New Sanford Road
LaVergne, TN 37086
Ph.: 800-274-6848
www.jettools.com

Copyright © 2017 JET

#550604, JCT-1604 Floor Sand Rammer



Index	Part No.	Description	Qty
1	JCT1602-01	Butt	1
2	JCT1602-02	Clamp nut	1
3	JCT1602-03	Lock nut	1
4	JCT1602-04	Piston bushing	1
5	JCT1602-05A	Rubber ring	5
6	JCT1602-06	Packing	1
7	JCT1602-07	Piston 260mm	1
8	JCT1602-08	Cylinder	1
9	JCT1602-09	Exhaust cover	1
10	JCT1602-10	Lock nut	1
11	JCT1602-11	Front valve seat	1
12	JCT1602-12	Valve pin 6x29.8mm	2
13	JCT1602-13	Valve	1
14	JCT1602-14	Valve seat	1

Index	Part No.	Description	Qty
	JCT1604-HA	Handle assembly (#15-22)	1
15	JCT1604-15	Throttle lever	1
16	JCT1604-16	Handle body	1
16A	JCT1604-16A	Lever catch	1
17	JCT1604-17	Spring pin 4x5mm	1
18	JCT1604-18	Throttle	1
19	JCT1602-19	O-ring 5.7x1.75mm	1
20	JCT1604-20	Spring	1
21	JCT1602-21	O-ring 18.7x1.8mm	1
22	JCT1604-22	Throttle valve plug	1
23	JCT1604-23	Coupling M24	1
24	JCT1604-24	Pipe	1
25	JCT1604-25	Cap	1

JCT1604-RPK, Repair Kit, contains #1,4,5(5),6,18,19,20,21

JCT1602-RBK, Rebuild Kit, contains #11,12(2),13,14