



Pneumatic Sand Rammer

- s/n 16080291 and higher **#550600, JCT-1600**
s/n after 16080174 **#550601, JCT-1601**
s/n after 16080130 **#550602, JCT-1602**
s/n after 16080090 **#550603, JCT-1603**
s/n after 18080126 **#550604, JCT-1604**
s/n 16080060 and higher **#550605, JCT-1605**



JCT-1605

JCT-1600

Operation & Parts Manual

M-550600

Edition 3

11/2018

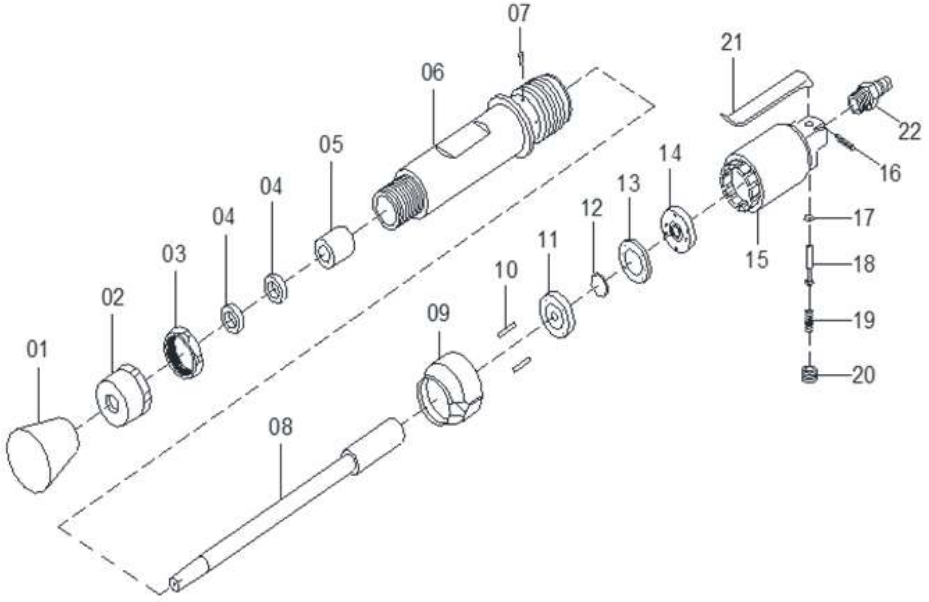


Stock No.:
Serial No.:
Purchased from:
Date purchased:

JET
427 New Sanford Road
LaVergne, TN 37086
Ph.: 800-274-6848
www.jettools.com

Copyright © 2017 JET

#550600, JCT-1600 Benchtop Sand Rammer



Index	Part No.	Description	Qty
1	JCT1600-01	Butt 1-11/16 in.	1
2	JCT1600-02	Clamp nut	1
3	JCT1600-03	Lock nut	1
4	JCT1600-04A	Rubber ring	2
5	JCT1600-05	Piston bushing	1
6	JCT1600-06	Cylinder	1
7	JCT1600-07	Lock sleeve key	1
8	JCT1600-08	Piston 18mm	1
9	JCT1600-09	Exhaust cover	1
10	JCT1600-10	Pin	2
11	JCT1600-11	Front valve seat	1

Index	Part No.	Description	Qty
12	JCT1600-12	Main valve	1
13	JCT1600-13	Main valve case	1
14	JCT1600-14	Valve seat	1
15	JCT1600-15	Handle body	1
16	JAT124-16	Spring pin 3x22mm	1
17	F25-04	O-ring 3.8x1.9mm	1
18	JCT1600-18	Throttle	1
19	F25-05	Spring 8x16mm	2
20	F25-06	Throttle valve plug 1/8in.	1
21	JCT1600-21	Throttle lever	1
22	JCT1600-22	Coupling 1/4in. PT	1

JCT1600-RPK, Repair Kit, contains #1,4(2),5,17,18,19(2)

JCT1600-RBK, Rebuild Kit, contains #10(2),11,12,13,14