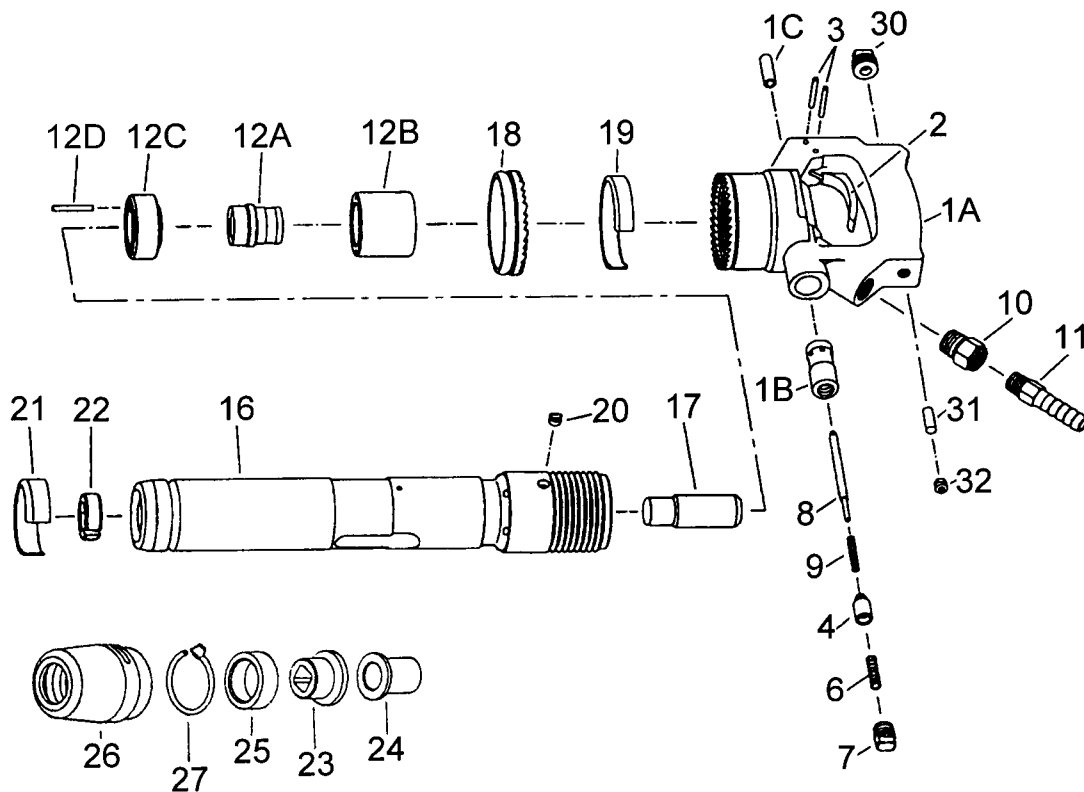


JET

EQUIPMENT & TOOLS



RB-90D & RB-91D Rivet Buster

1.....41046601B.....	Handle w/Bushing (#1B).....	17.....410463200.....	Piston.....	1
1A.....410466010.....	Handle.....	18.....410460300.....	Clutch.....	1
1B.....410460060.....	Throttle Valve Bushing.....	19.....410460310.....	Clutch Band.....	1
1C.....410221300.....	Throttle Valve Stem Guide.....	20.....410460320.....	Clutch Key.....	1
2.....410211120.....	Trigger.....	21.....410460470.....	Exhaust Band.....	1
3.....130401030.....	Trigger Pin.....	22.....410464560.....	Piston Stopper (RB-90D).....	1
4.....410466050.....	Throttle Valve.....410463560.....	Piston Stopper (RB-91D).....	1
6.....130801065.....	Throttle Valve Spring.....	23.....551504.....	Lower Sleeve (RB-90D).....	1
7.....134905019.....	Throttle Valve Cap.....552103.....	Lower Sleeve (RB-91D).....	1
8.....410466C10.....	Throttle Valve Pin.....	24.....551502.....	Upper Sleeve (RB-90D).....	1
9.....130801066.....	Valve Pin Spring.....552101.....	Upper Sleeve (RB-91D).....	1
10.....134704030.....	Screw Bushing 1/2 x 3/8.....	25.....551505.....	Rubber Bumper (RB-90D).....	1
11.....134803040.....	Hose Stem 3/8 x 1/2.....552104.....	Rubber Bumper (RB-91D).....	1
12.....41046010B.....	Valve Complete.....	26.....551190.....	Retainer (RB-90D).....	1
12A.....410460100.....	Valve.....552190.....	Retainer (RB-91D).....	1
12B.....410460150.....	Valve Box.....	27.....550098.....	Retainer Spring.....	1
12C.....410460140.....	Valve Seat.....	30.....410211720.....	Oil Plug.....	1
12D.....130401057.....	Valve Knock.....	31.....136101011.....	Oil Control Felt.....	1
16.....410464191.....	Cylinder 1-7/32 (RB-90D).....	32.....134901001.....	Hex Plug PT 1/8".....	1
.....410463191.....	Cylinder 1-1/2 (RB-91D).....			

JET EQUIPMENT & TOOLS, INC.

A WMH Company
www.jettools.com

P.O. BOX 1349
Auburn, WA 98071-1349
e-mail jet@jettools.com

253-351-6000
Fax 253-939-8001
M-550092K 6/99