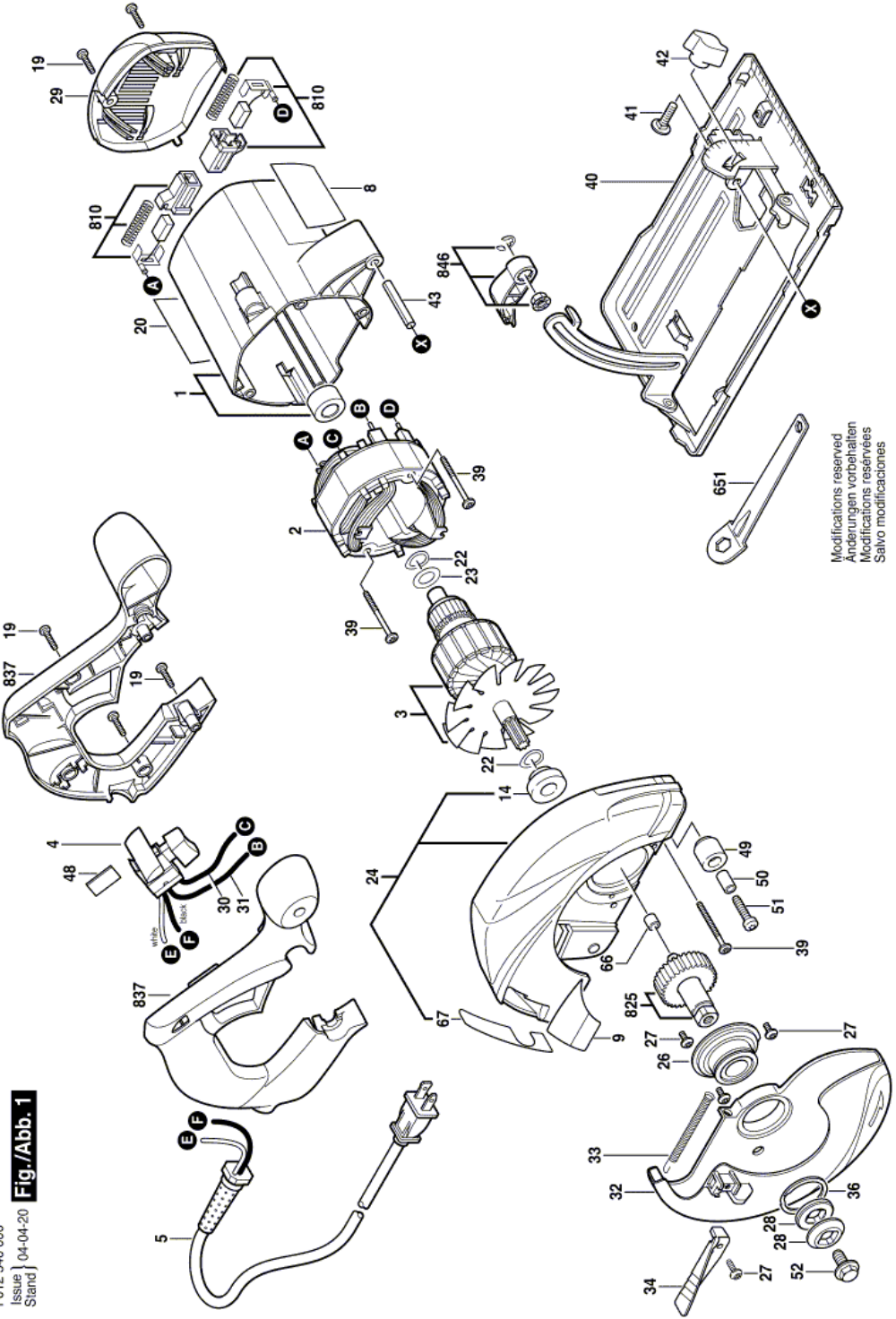


Item	Part Number	Description	Illustration	Price	Quantity
1	2 610 912 983	Housing		1,-	1
2	2 610 341 367	Field 120V		1,-	1
3	2 610 341 306	Armature 120V		1,-	1
4	2 610 917 325	Switch		1,-	1
5	2 610 915 148	Power supply cord		1,-	1
8	2 610 924 357	Nameplate		1,-	1
9	2 610 912 986	Reference Plate		1,-	1
14	2 610 356 680	Bearing Sleeve		1,-	1
19	1 619 P01 505	Screw		1,-	8
20	2 610 913 224	Reference Plate		1,-	1
22	2 610 313 808	Plain Washer		1,-	2
23	2 610 341 465	Washer		1,-	1
24	2 610 312 398	Protective Cover		1,-	1
26	1 619 X01 554	Bearing Plate		1,-	1
27	1 619 X01 786	Contact Screw		1,-	4
28	2 610 341 361	Supporting Disc		1,-	2
29	2 610 916 204	Housing Cover		1,-	1
30	2 610 341 377	Connecting Cable 385 MM		1,-	1
31	2 610 916 885	Connecting Cable		1,-	1
32	2 610 916 428	Guard Plate		1,-	1
33	2 610 914 057	Extension Spring		1,-	1
34	2 610 924 015	Lever		1,-	1
36	2 610 341 359	Spring retaining ring		1,-	1
39	2 610 347 103	Screw		1,-	6
40	1 619 X01 143	Base Plate		1,-	1
41	2 610 017 262	Round-Head Bolt		1,-	1
42	2 610 029 562	Wing Nut		1,-	1
43	2 610 914 058	Roller Pin		1,-	1
48	2 610 347 892	Spacer		1,-	1
49	2 610 341 394	End stop		1,-	1
50	2 610 341 366	Spacer		1,-	1
51	2 610 347 100	Screw		1,-	1
52	1 619 X00 935	Hex Screw		1,-	1

Item	Part Number	Description	Illustration	Price	Quantity
66	2 610 997 773	Bearing	1	-,-	1
67	2 610 913 300	Label	1	-,-	1
651	2 610 968 670	Box Wrench	1	-,-	1
810	2 610 993 156	Carbon-Brush Set	1	-,-	1
825	2 610 997 776	Pinion Shaft	1	-,-	1
837	2 610 915 260	Set Of Handles	1	-,-	1
846	2 610 921 181	Lever	1	-,-	1

F012.540.000
 Issue | 04-04-20
 Stand



Modifications reserved
 Änderungen vorbehalten
 Modifications réservées
 Salvo modificaciones

Fig./Abb. 1