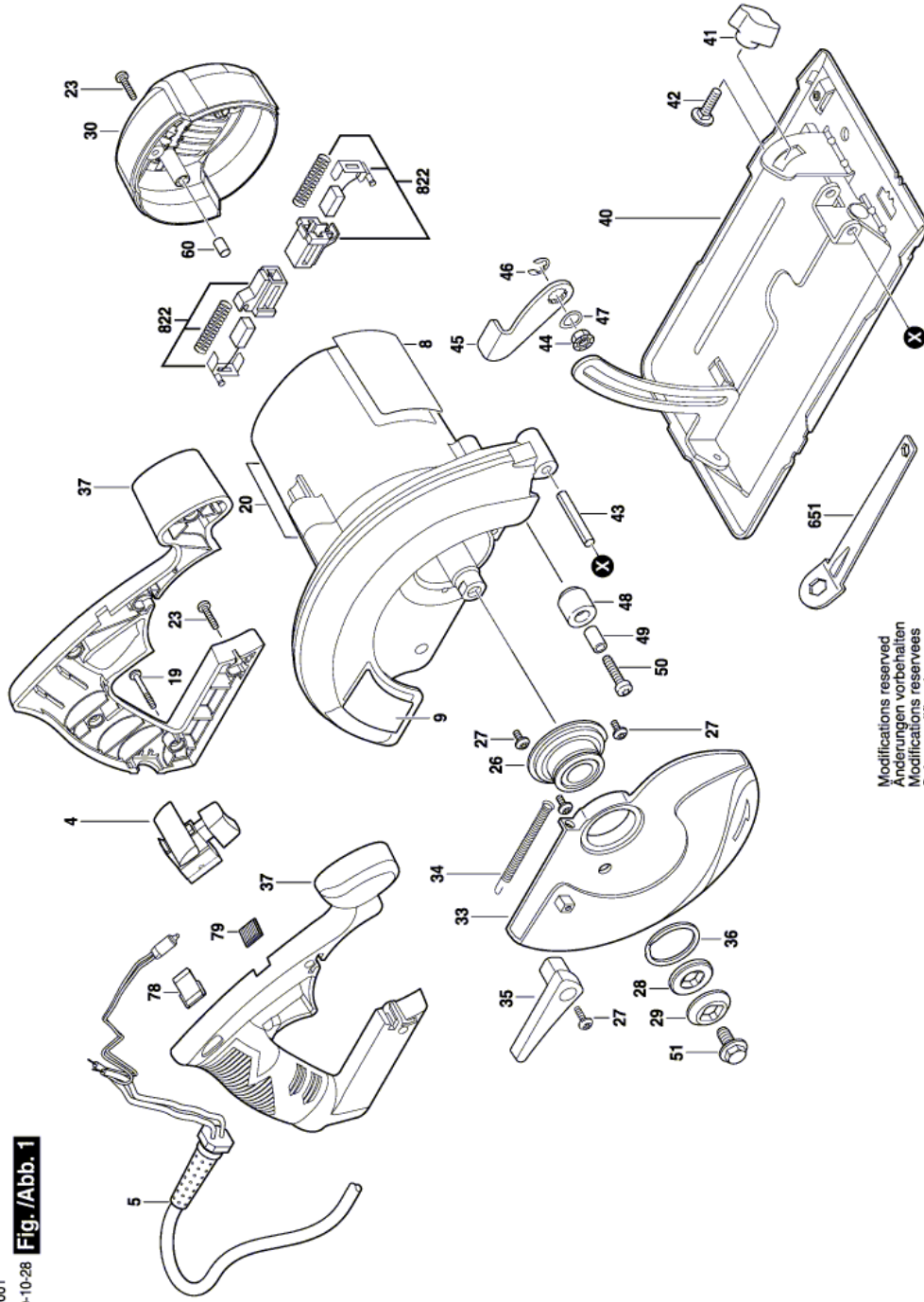


| Item | Part Number | Description | Illustration | Price | Quantity |
|------|---------------|--------------------------|--------------|-------|----------|
| 4 | 1 619 X00 641 | Switch | | 1 -,- | 1 |
| 5 | 1 619 X06 054 | Power supply cord | | 1 -,- | 1 |
| 8 | 1 619 X05 339 | Nameplate | | 1 -,- | 1 |
| 9 | 1 619 X00 644 | Manufacturer's nameplate | | 1 -,- | 1 |
| 19 | 1 619 X01 012 | Screw | | 1 -,- | 2 |
| 20 | 1 619 X04 900 | Warning Label | | 1 -,- | 1 |
| 23 | 1 619 X01 011 | Screw | | 1 -,- | 6 |
| 26 | 1 619 X00 657 | Bearing Plate | | 1 -,- | 1 |
| 27 | 1 619 X01 786 | Contact Screw | | 1 -,- | 4 |
| 28 | 1 619 X00 659 | Washer | | 1 -,- | 1 |
| 29 | 1 619 X00 660 | Washer | | 1 -,- | 1 |
| 30 | 1 619 X01 098 | Housing Cover | | 1 -,- | 1 |
| 33 | 1 619 X03 951 | Pivoting Blade Guard | | 1 -,- | 1 |
| 34 | 1 619 X04 824 | Extension Spring | | 1 -,- | 1 |
| 35 | 1 619 X04 655 | Lever | | 1 -,- | 1 |
| 36 | 1 619 X00 667 | Retaining snap ring | | 1 -,- | 1 |
| 37 | 1 619 X05 552 | Set Of Handles | | 1 -,- | 1 |
| 40 | 1 619 X08 801 | Base Plate | | 1 -,- | 1 |
| 41 | 2 610 917 567 | Knob | | 1 -,- | 1 |
| 42 | 1 619 X00 674 | Bolt | | 1 -,- | 1 |
| 43 | 1 619 X00 676 | Roller Pin | | 1 -,- | 1 |
| 44 | 1 619 X00 677 | Nut | | 1 -,- | 1 |
| 45 | 1 619 X05 358 | Depth-Gauge | | 1 -,- | 1 |
| 46 | 2 610 923 854 | Clip | | 1 -,- | 1 |
| 47 | 1 619 X01 014 | Spring Washer | | 1 -,- | 1 |
| 48 | 1 619 X00 681 | Stopper | | 1 -,- | 1 |
| 49 | 1 619 X00 682 | Spacer | | 1 -,- | 1 |
| 50 | 1 619 X00 683 | Screw | | 1 -,- | 1 |
| 51 | 1 619 X00 935 | Hex Screw | | 1 -,- | 1 |
| 60 | 1 619 X01 409 | Holding Pin | | 1 -,- | 2 |
| 78 | 1 619 X05 925 | reflector | | 1 -,- | 1 |
| 79 | 1 619 X01 835 | Lens | | 1 -,- | 1 |
| 651 | 1 619 X00 685 | Box Wrench | | 1 -,- | 1 |

| Item | Part Number | Description | Illustration | Price | Quantity |
|------|---------------|------------------|--------------|-------|----------|
| 822 | 1 619 X02 851 | Carbon-Brush Set | | 1 -,- | 1 |

F012.548.001
 Issue) 10-10-28
 Stand } **Fig. /Abb. 1**



Modifications reserved
 Änderungen vorbehalten
 Modificaciones reservées
 Salvo modificaciones