



# SERVICE PARTS LIST

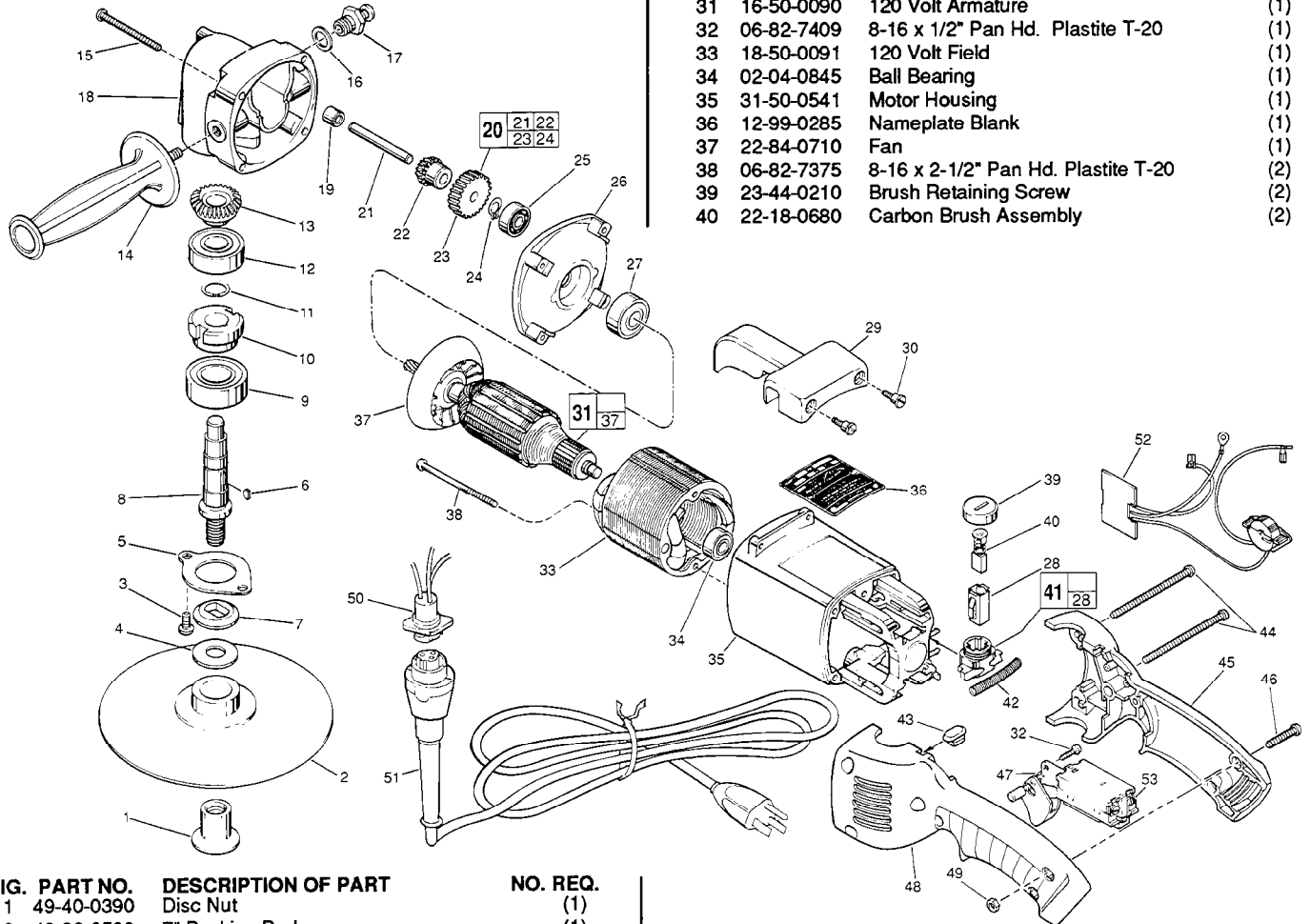
BULLETIN NO.  
54-32-1281

| SPECIFY CATALOG NO. AND SERIAL NO. WHEN ORDERING PARTS |          | REVISED BULLETIN                 | DATE     |
|--------------------------------------------------------|----------|----------------------------------|----------|
| <b>7" HEAVY-DUTY VARIABLE SPEED POLISHER</b>           |          | 54-32-1280                       | Mar. '93 |
| CATALOG NO.                                            | 5460     | WIRING INSTRUCTION<br>58-01-1390 |          |
| STARTING SERIAL NO.                                    | 785-8612 |                                  |          |

**EXAMPLE:**



Component Parts (Small #) Are Included When Ordering The Assembly (Large #).



| FIG. PART NO. | DESCRIPTION OF PART                            | NO. REQ. |
|---------------|------------------------------------------------|----------|
| 29            | 31-70-0110 Tool Rest                           | (1)      |
| 30            | 45-04-0720 Shoulder Screw                      | (3)      |
| 31            | 16-50-0090 120 Volt Armature                   | (1)      |
| 32            | 06-82-7409 8-16 x 1/2" Pan Hd. Plastite T-20   | (1)      |
| 33            | 18-50-0091 120 Volt Field                      | (1)      |
| 34            | 02-04-0845 Ball Bearing                        | (1)      |
| 35            | 31-50-0541 Motor Housing                       | (1)      |
| 36            | 12-99-0285 Nameplate Blank                     | (1)      |
| 37            | 22-84-0710 Fan                                 | (1)      |
| 38            | 06-82-7375 8-16 x 2-1/2" Pan Hd. Plastite T-20 | (2)      |
| 39            | 23-44-0210 Brush Retaining Screw               | (2)      |
| 40            | 22-18-0680 Carbon Brush Assembly               | (2)      |

| FIG. PART NO. | DESCRIPTION OF PART                                   | NO. REQ. |
|---------------|-------------------------------------------------------|----------|
| 1             | 49-40-0390 Disc Nut                                   | (1)      |
| 2             | 49-36-2500 7" Backing Pad                             | (1)      |
| 3             | 06-82-5360 1/4-20 x 5/8" Pan Hd. Slit. Tapt. T-30     | (2)      |
| ★ 4           | 45-88-8465 Spindle Washer                             | (1)      |
| 5             | 45-88-7785 Spindle Retaining Washer                   | (1)      |
| 6             | 06-42-1600 Woodruff Key                               | (1)      |
| 7             | 49-05-0060 Washer Flange                              | (1)      |
| 8             | 38-50-5231 Spindle Shaft                              | (1)      |
| 9             | 02-04-2031 Ball Bearing                               | (1)      |
| 10            | 42-74-0070 Spindle Locking Cog                        | (1)      |
| 11            | 34-60-1290 Retaining Ring                             | (1)      |
| 12            | 02-04-1747 Ball Bearing                               | (1)      |
| 13            | 32-05-1081 Bevel Gear                                 | (1)      |
| 14            | 43-62-0880 Side Handle                                | (1)      |
| 15            | 06-82-7441 10-14 x 1-7/8" Pan Hd. Slit. Plastite T-25 | (4)      |
| 16            | 45-88-5320 Flat Washer                                | (1)      |
| 17            | 44-20-0211 Spindle Lock Assembly                      | (1)      |
| 18            | 28-14-1430 Gear Case                                  | (1)      |
| 19            | 02-50-2200 Needle Bearing                             | (1)      |
| 20            | 14-73-0130 Intermediate Gear Assy.                    | (1)      |
| 21            | ----- Intermediate Shaft                              | (1)      |
| 22            | ----- Bevel Gear                                      | (1)      |
| 23            | ----- Intermediate Gear                               | (1)      |
| 24            | ----- External Retaining Ring                         | (1)      |
| 25            | 02-04-0910 Ball Bearing                               | (1)      |
| 26            | 28-28-1565 Diaphragm                                  | (1)      |
| 27            | 02-04-1229 Ball Bearing                               | (1)      |
| 28            | 22-20-0660 Brush Tube                                 | (2)      |

| FIG. PART NO. | DESCRIPTION OF PART                          | NO. REQ. |
|---------------|----------------------------------------------|----------|
| 41            | 22-22-1325 Brush Holder Assembly             | (2)      |
| 42            | 40-50-7770 Brush Holder Spring               | (2)      |
| 43            | 42-38-0190 Bumper                            | (1)      |
| 44            | 06-82-2598 10-24 x 2-3/4" Pan Hd. Slit. T-25 | (2)      |
| ★ 45          | 31-44-1775 Right Handle Half                 | (1)      |
| 46            | 06-82-2568 10-24 x 7/8" Pan Hd. Slit. T-25   | (3)      |
| 47            | 23-66-1940 TSC Switch                        | (1)      |
| ★ 48          | 31-44-1770 Left Handle Half                  | (1)      |
| 49            | 06-55-1050 10-24 Hex Nut                     | (5)      |
| ★ 50          | 22-56-0650 Pin Housing Assembly              | (1)      |
| ★ 51          | 48-76-4008 8' Quik-Lok Cord                  | (1)      |
| ★ 52          | 14-20-0570 Dial / Module Assembly            | (1)      |
| 53            | 05-89-0045 Switch Screw                      | (4)      |

**FIG. LUBRICATION**

18 1-1/4 Oz. Type "G" Grease No. 49-08-4140, In Grease Cavity.  
1-1/2 Oz. Type "B" Grease, No. 49-08-0600, To Build Up Wall of Grease Around Grease Cavity.

**MILWAUKEE ELECTRIC TOOL CORPORATION**  
13135 W. LISBON RD., BROOKFIELD, WI 53005