



SERVICE PARTS LIST

BUL. 54-32-1006

7" POLISHER

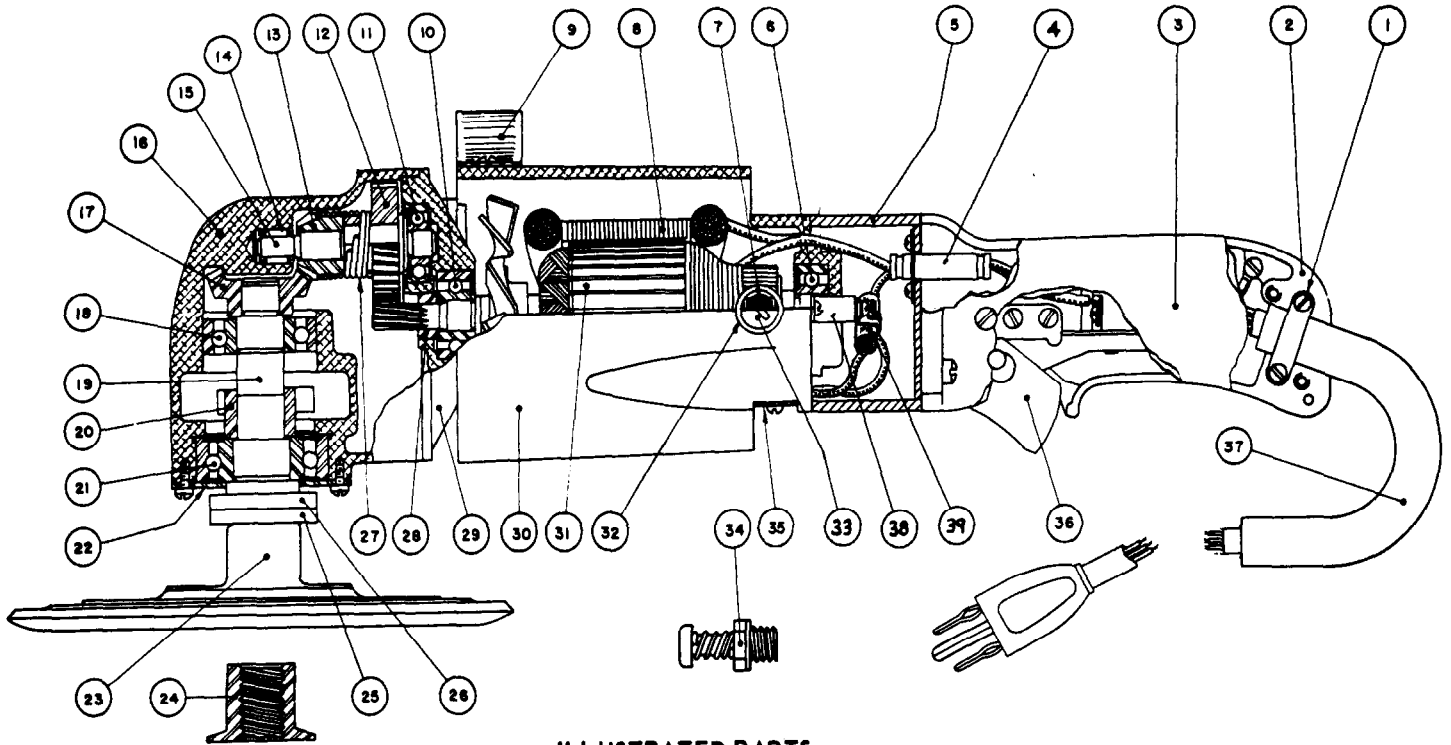
REVISED BUL 6100-7 DATE Feb. '68

Catalog No. 5450-8

Starting Serial No. 100-9465

WIRING INSTR.

Both Model and Serial No. must be furnished to obtain correct parts.



ILLUSTRATED PARTS

FIG.	PART NO.	DESCRIPTION OF PART
1	28-17-0200	Cord Clamp Strap
2	28-44-1041	Handle (Switch Mounting Side)
3	28-44-9081	Handle (Switch Cover Side)
★4	22-33-6550	.02 MFD Condenser (2)
★5	28-50-8122	Suppression Box
6	02-04-0960	Ball Bearing (Comm. End)
7	22-18-0170	Carbon Brush Assemblies (per set)
★8	18-62-1040	Field Assembly
9	28-79-0321	Tool Rest
10	02-04-1070	Ball Bearing (Pinion End)
11	02-04-0910	Ball Bearing
12	32-40-1401	Intermediate Gear
13	32-05-1081	Bevel Gear (Sold only with 32-05-1101 as set)
14	02-50-1630	Needle Bearing
15	36-66-3251	Intermediate Shaft
16	28-14-1082	Gear Case
17	32-05-1101	Bevel Gear (See Item 13)
18	02-04-1710	Ball Bearing (Upper)

FIG.	PART NO.	DESCRIPTION OF PART
19	38-50-3751	Spindle
20	42-74-0061	Spindle Locking Cog
21	02-04-2060	Ball Bearing (Lower)
22	45-88-0220	Ball Bearing Retaining Washer
23	49-36-2500	Rubber Backing Pad
24	44-40-0160	Disc Nut (5/8-11 Thread)
25	45-88-0160	Hub Rubber Washer
26	45-88-0141	Hub Steel Washer
27	40-50-3100	Drive Spring
28	45-28-0070	Grease Slinger
29	28-28-1101	Diaphragm
★30	28-50-4882	Motor Housing
31	16-62-1030	Armature Assembly
32	22-22-0120	Brush Holder Assemblies (2)
33	23-44-0065	Brush Retaining Cap (2)
34	44-20-0060	Spindle Lock Assembly
35	44-66-0230	Commutator Cover Plate (2)
36	23-66-0270	Switch Assembly
37	22-64-0090	Cord Set
★38	42-36-0330	Condenser Mtg. Bracket
★39	22-33-6560	.01 MFD Condenser (2)

MISCELLANEOUS PARTS NOT SHOWN

PART NO.	DESCRIPTION OF PART
12-98-2500	Name Plate
43-62-0140	Wooden Side Handle Assembly
06-81-6950	10-24x1/2 Fil.Hd. Sem Tool Rest Screw (2)
06-81-1625	12-24x2-1/4 Fil. Hd. Sw. Handle Screws (4)
06-81-7300	10-24x1-3/4 Fil.Hd. Gear Case Screws (4)
06-81-3700	8-32x7/8 Oval Hd. Handle Cover Screws (2)
06-83-2650	1/4-20x3/8 Unbrako Knurled Point Soc. Hd. Hd'less Brush Holder Set Sc.
48-03-0010	Attachment Plug Adaptor

PART NO.	DESCRIPTION OF PART
06-81-5400	8-32x5/16 Bind Hd. Switch Mounting Scs.Sems (2)
06-81-8625	6-32x1/4 (Brass) Rd.Hd.Ground Wire Scs. Sems
06-81-3750	8-32x1 Oval Hd. Handle Cover Screw
06-81-6100	8-32x7/16 Fil.Hd.Cord Clamp Strap Scs. Sem
06-81-8950	8-32x2 1/4 RD.HD.Field Screws Sems (2)
06-81-8650	6-32x1/4 Rd.Hd. Sems Commutator Cover Scs. (2)
06-81-6050	8-32x5/16 Fil.Hd.Sems Ball Brg.Ret.Washer Scs.(6)
06-81-8200	4-36x3/16 Rd.Hd.Sems Name Plate Screws (2)
06-81-8650	6-32x1/4 Rd. Hd. Condenser Mtg. Sem (8)

Numbers in brackets indicate number required 06-81-3750 8-32x1 Oval Hd. Handle Cover Screw