



SERVICE PARTS LIST

BUL. 54-24-7006

LOCK HAMMER

REVISED BUL. 54-24-7005 DATE Jan' 79

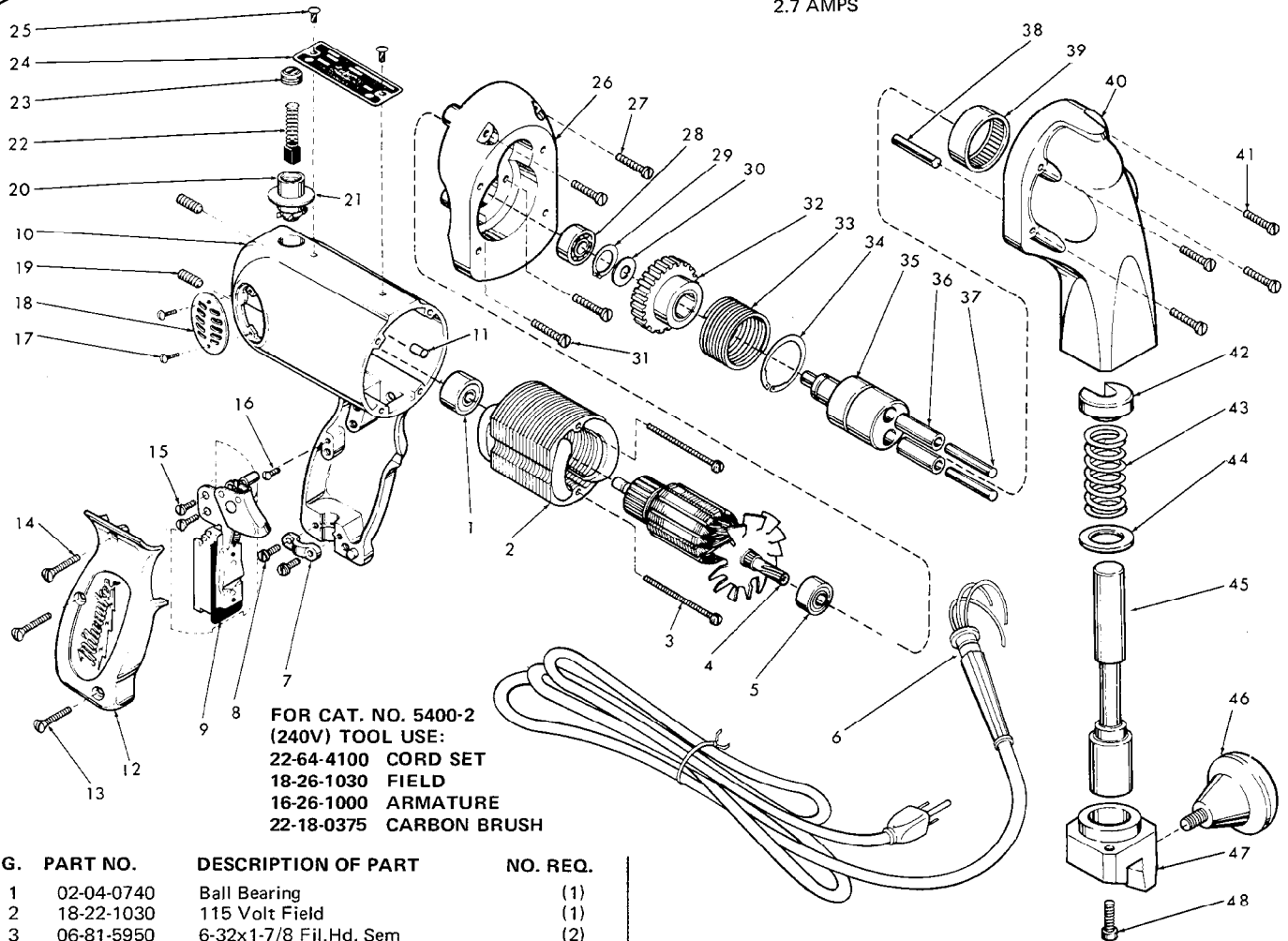
Catalog No. 5400

Starting Serial No. 107-11150

WIRING INSTRUCTIONS 58-01-0570

Specify Catalog and Serial No. when ordering parts

2.7 AMPS



FOR CAT. NO. 5400-2
(240V) TOOL USE:
22-64-4100 CORD SET
18-26-1030 FIELD
16-26-1000 ARMATURE
22-18-0375 CARBON BRUSH

FIG.	PART NO.	DESCRIPTION OF PART	NO. REQ.
1	02-04-0740	Ball Bearing	(1)
2	18-22-1030	115 Volt Field	(1)
3	06-81-5950	6-32x1-7/8 Fil.Hd. Sem	(2)
4	16-22-1000	115 Volt Armature	(1)
5	02-04-0880	Ball Bearing	(1)
★6	22-64-0405	Cord Set	(1)
7	28-17-0400	Clamp Strap	(1)
8	06-81-0900	8-32x7/16 Fil.Hd. Screw	(2)
9	23-66-0160	Switch	(2)
10	28-50-4041	Motor Housing Assy. (includes figs. 11 thru 14)	(2)
11	45-30-0120	Bearing Retaining Slug	(1)
12	28-20-3171	Handle Cover	(1)
13	06-81-3650	8-32x3/4 Oval Hd. Screw	(2)
14	06-81-3700	8-32x7/8 Oval Hd. Screw	(1)
15	06-81-5400	8-32x5/16 Binder Hd. Sem	(2)
16	06-81-8625	6-32x1/4 Ground Screw	(1)
17	06-81-8650	6-32x1/4 Rd.Hd. Sem	(4)
18	44-66-0110	Cover Plate	(2)
19	06-83-2670	1/4-20x1/2 Knrl. Set Screw	(2)
★20	22-22-1050	Brush Holder	(2)
21	23-86-0105	Fiber Washer	(2)
★22	22-18-0155	Carbon Brush	(2)
23	23-44-0020	Brush Retaining Screw	(2)
★24	12-99-0026	Nameplate	(1)
25	06-85-0200	6-1/4 Rd.Hd. Type Z Screw	(2)
26	30-29-0101	Diaphragm	(1)
27	06-81-6402	8-32x1-1/8 Fil.Hd. Sem	(2)

FIG.	PART NO.	DESCRIPTION OF PART	NO. REQ.
28	02-04-0820	Ball Bearing	(1)
29	34-60-1400	Snap Ring	(1)
30	45-88-0340	Gear Retaining Washer	(1)
31	06-81-6250	8-32x3/4 Fil.Hd. Sem	(2)
32	32-75-2361	Spindle Gear	(1)
33	40-50-0600	Clutch Spring	(1)
34	34-60-2100	Retaining Ring	(1)
35	38-50-0651	Spindle	(1)
36	42-24-0060	Bearing	(2)
37	44-60-0110	Mechanism Pin	(2)
38	44-60-0090	Guide Pin	(1)
39	02-50-7820	Needle Bearing	(1)
40	30-48-0101	Mechanism Head	(1)
41	06-81-6250	8-32x3/4 Fil.Hd. Sem	(4)
42	45-88-0050	Horseshoe Washer	(1)
43	40-50-0700	Compression Spring	(1)
44	45-88-0061	Piston Washer	(1)
45	44-62-0050	Piston	(1)
46	43-62-0080	Plastic Handle	(1)
★47	30-82-0110	Hammer Shoe	(1)
★48	06-75-2450	10-32x3/4 Skt. Hd. Screw	(2)
49	12-98-7081	Caution Plate (Not Shown)	(1)
50	06-97-1700	Switch Lockwasher (Not Shown)	(4)