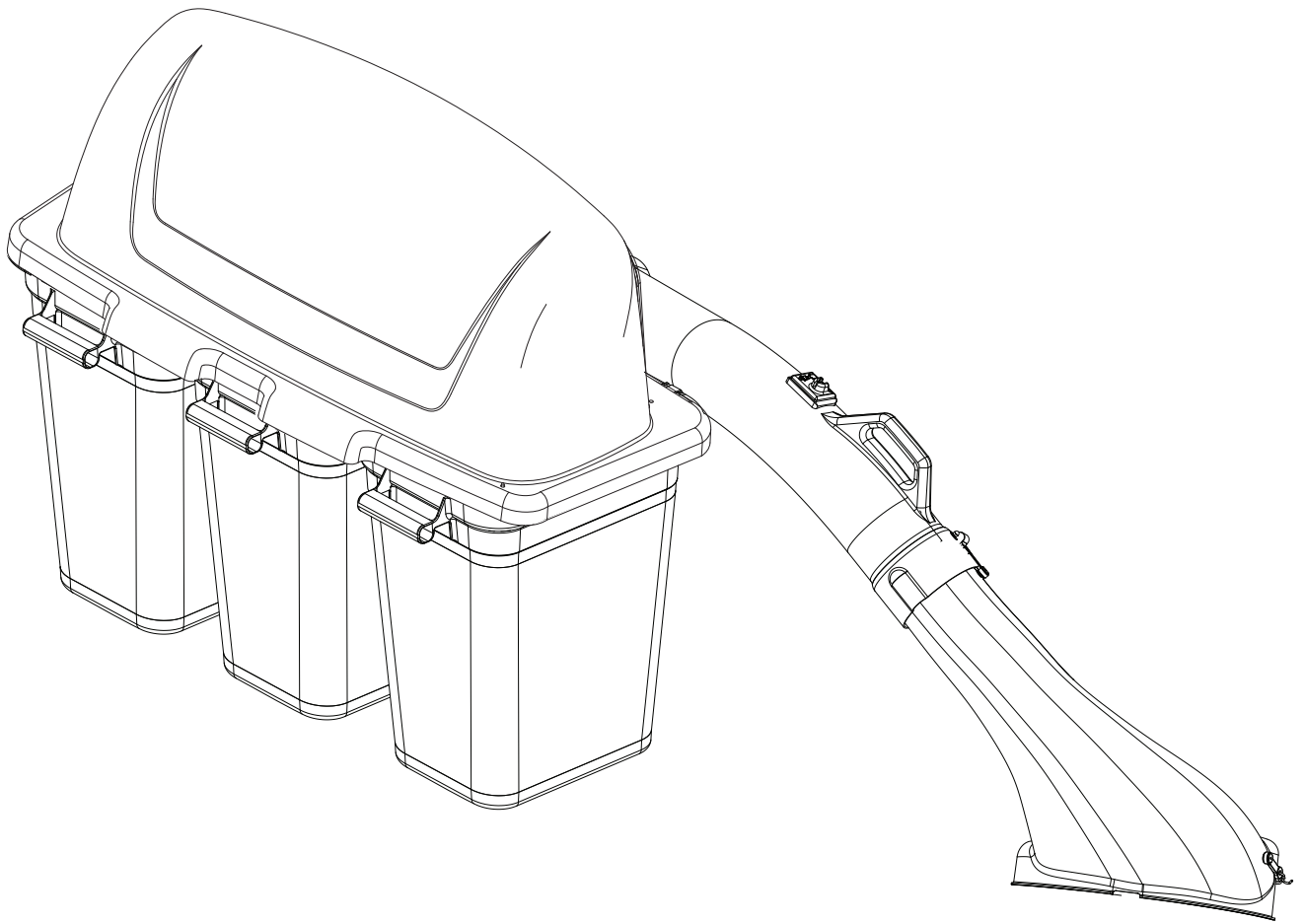


# Part's Manual 2009-06



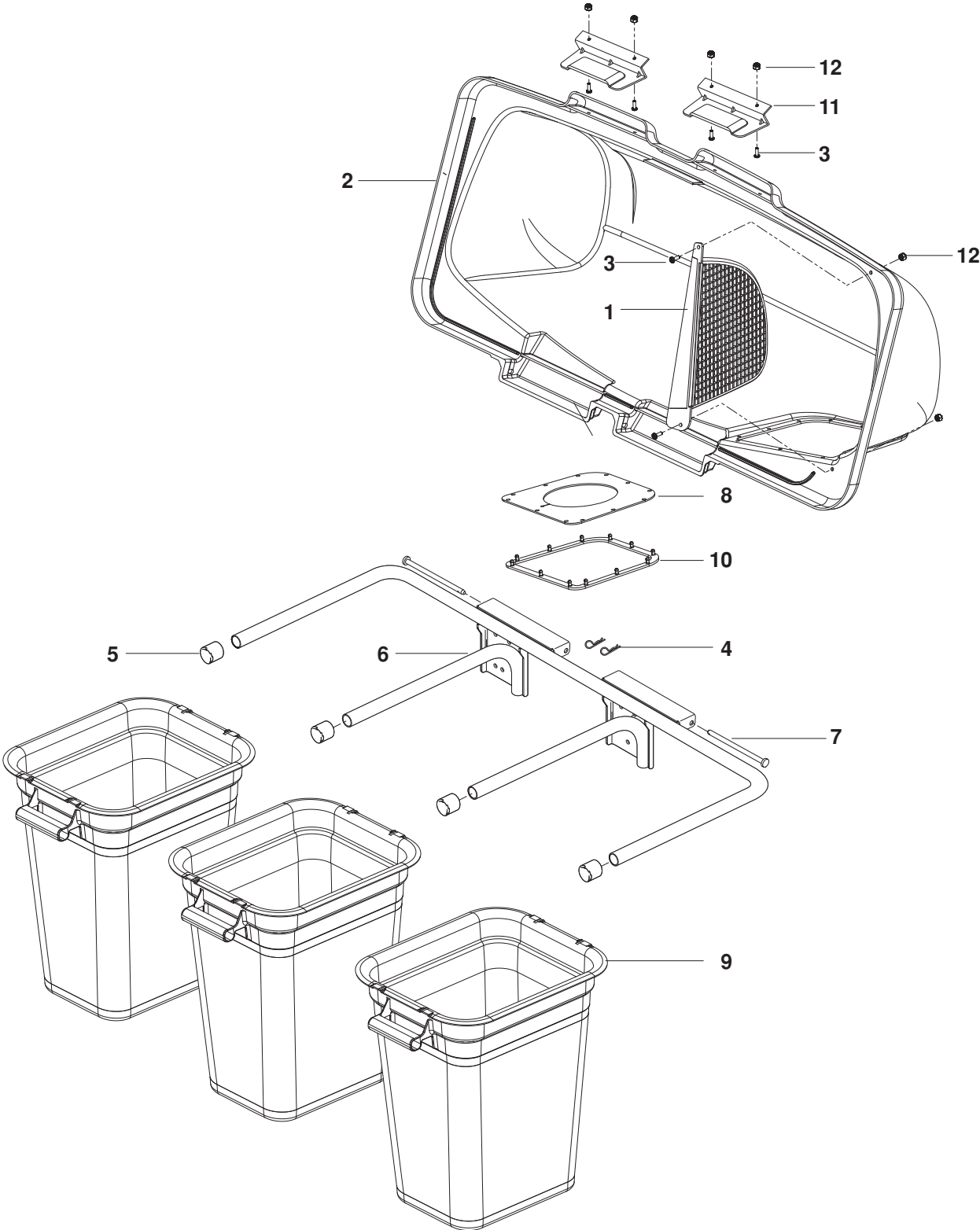
## **Grass Catcher**

**54"**

**Model 966 445001**



# REPAIR PARTS



# REPAIR PARTS

---

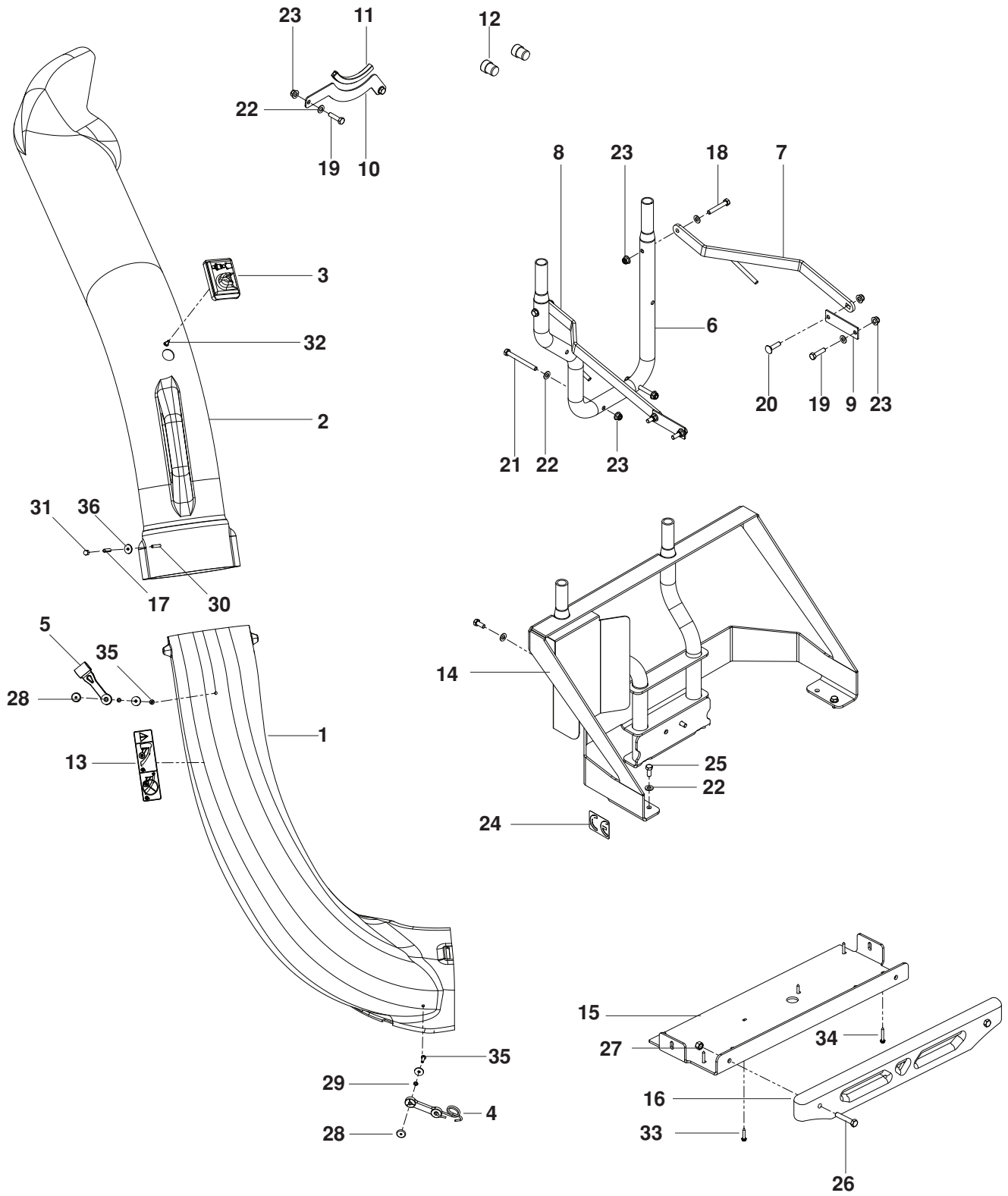
ITEM	PART NO.	QTY.	DESCRIPTION
1..	532 192709....1	....	SCREEN, COVER
2..	532 195373....1	....	COVER
3..	539 976952....6	....	SCREW #10-24 x <sup>5</sup> / <sub>8</sub>
4..	539 108096....2	....	HAIR PIN
5..	539 108097....4	....	PLUG, TUBING END
6..	532 176990....1	....	BAGGER, FRAME

ITEM	PART NO.	QTY.	DESCRIPTION
7..	532 192786....2	....	PIN, HINGE
8..	532 192550....1	....	SEAL, COVER
9..	532 400226....3	....	CONTAINER, SOFT BAG
10..	532 192603....1	....	GASKET, COVER
11..	532 130895....2	....	HANDLE, BAGGER COVER
12..	539 976977....6	....	NUT #10-24 CROWNLOCK

NOTE: ALL FASTENERS ARE GRADE 5 UNLESS OTHERWISE SPECIFIED.



# REPAIR PARTS



# REPAIR PARTS

---

ITEM	PART NO.	QTY.	DESCRIPTION	ITEM	PART NO.	QTY.	DESCRIPTION
1..	539 113204....	1	.... CHUTE, LOWER	21..	539 101520....	2	.... BOLT, HEX $\frac{5}{16}$ -18 x $3\frac{1}{4}$
2..	539 108141....	1	.... CHUTE, UPPER	22..	539 990188..	10	.... WASHER $\frac{5}{16}$ SAE
3..	539 108082....	1	.... DUMP BAG INDICATOR	23..	539 112899..	10	.... NUT $\frac{5}{16}$ -18 FLANGE NYLOC
4..	539 108194....	2	.... LATCH	24..	539 108447....	1	.... DECAL, CE
5..	539 108088....	1	.... LATCH, HOOD	25..	539 107899....	4	.... BOLT, HEX $\frac{5}{16}$ -18 x $\frac{3}{4}$ GR8
6..	539 131091....	1	.... TUBE MOUNT	26..	539 990588....	2	.... BOLT, HEX $\frac{3}{8}$ -16 x 2
7..	522 854502....	1	.... STRAP, SUPPORT, LT	27..	539 976979....	2	.... NUT $\frac{3}{8}$ -16 NYLOC
8..	522 854402....	1	.... STRAP, SUPPORT, RT	28..	539 108089....	3	.... PLATED, WELD NUT
9..	523 112802....	2	.... REINFORCE PLATE	29..	539 109552....	3	.... LOCKWASHER $\frac{3}{16}$
10..	539 110234....	1	.... SUPPORT, CHUTE	30..	539 108083....	1	.... SCREW #10-24 x $1\frac{1}{8}$
11..	539 112294....	1	.... FLEX TRIM	31..	539 108086....	1	.... NUT, ACORN #10-24
12..	522 801301....	2	.... SPACER PLUG	32..	539 108081....	1	.... SCREW #10-14 x $\frac{1}{2}$
13..	539 108163....	1	.... DECAL, CATCHER	33..	539 113182....	2	.... SCRW #10-12 X 1 WASH HD
14..	505 338202....	1	.... REAR COLLECTION HITCH	34..	539 113183....	6	.... SCRW #10-12 X $1\frac{1}{4}$ WSH HD
15..	539 113225....	1	.... WEIGHT BRACKET	35..	539 976952....	3	.... SCREW #10-24 x $\frac{5}{8}$
16..	539 113177....	1	.... WEIGHT, CAST	36..	539 108084....	4	.... WASHER $\frac{3}{16}$ x $\frac{3}{4}$ 16 GA
17..	539 108085....	1	.... SPACER, SPLIT	NOT SHOWN			
18..	539 976937....	2	.... BOLT, HEX $\frac{5}{16}$ -18 x 2		539 990598 ...	4	.... WASHER $\frac{1}{4}$ FLAT
19..	539 990627....	4	.... BOLT, HEX $\frac{5}{16}$ -18 x $1\frac{1}{4}$		539 113226 ...	4	.... BOLT $\frac{5}{16}$ -18 x 1 THD FRM
20..	539 110472....	2	.... BOLT, RD HD $\frac{5}{16}$ -18 x $1\frac{1}{4}$				

NOTE: ALL FASTENERS ARE GRADE 5 UNLESS OTHERWISE SPECIFIED.

# TORQUE CHART

## Torque Specifications Hex Head Cap Screws

The torque values shown should be used as a general guideline when specific torque values are not given.

### U.S. Standard Hardware

Grade	SAE Grade 5		SAE Grade 8		Flangelock Screw w/Flangelock Nut		
	ft./lbs	ft./lbs	Nm	ft./lbs	Nm	ft./lbs	Nm
Shank Size (Diameter in inches, fine or coarse thread)	1/4	9	12	13	18		
	5/16	18	24	28	38	24	33
	3/8	31	42	46	62	40	54
	7/16	50	68	75	108		
	1/2	75	102	115	156		
	9/16	110	150	165	224		
	5/8	150	203	225	305		
	3/4	250	339	370	502		
	7/8	378	513	591	801		
	1 1/8	782	1060	1410	1912		

\*\* Grade 5 - Minimum commercial quality (lower quality not recommended)

### Metric Standard Hardware

Grade	Grade 8.8		Grade 10.9		Grade 12.9		
	ft./lbs	ft./lbs	Nm	ft./lbs	Nm	ft./lbs	Nm
Shank Size (Diameter in millimeters, fine or coarse thread)	M4	1.5	2	2.2	3	2.7	3.6
	M5	3	4	4.5	6	5.2	7
	M6	5.2	7	7.5	10	8.2	11
	M7	8.2	11	12	16	15	20
	M8	13.5	18	18.8	25	21.8	29
	M10	24	32	35.2	47	43.5	58
	M12	43.5	58	62.2	83	75	100
	M14	70.5	94	100	133	119	159
	M16	108	144	147	196	176	235
	M18	142	190	202	269	242	323
	M20	195	260	275	366	330	440
	M22	276	368	390	520	471	628
	M24	353	470	498	664	596	794
	M27	530	707	474	996	904	1205

