

# INSTALLATION INSTRUCTIONS FOR: Mulching Kit (36" Walk Behinds)

---

INSTALLATION INSTRUCTIONS FOR THE FOLLOWING KIT & MODELS:

KIT PART NO.-539104737

968999102

968999116

KHKW36151

KKW36132

968999103

968999117

KHKW36121

KKW36141

968999105

KHKW36140

KKW36121

To ensure acceptable mulching performance, the following guidelines must be followed:

1. The amount of grass that is to be cut off in one pass should not exceed 1/3 of the total grass height.  
Example: If the grass height is 3" you should not have your mower deck cutting height set less than 2".
2. Ground speed should normally be reduced to allow clippings to be finely mulched.
3. Engine RPM should be set at maximum.
4. Blades must be kept sharp.
5. The underside of deck should be cleaned out often to prevent grass accumulation.
6. Conditions must be dry. Wet grass does not mulch well and grass will accumulate under deck.

**IMPORTANT: BEFORE PROCEEDING, PLACE CONTROLS IN THE DISENGAGED OR THE OFF POSITION, REMOVE SPARK PLUG WIRES FROM THE SPARK PLUGS. REMOVE BLADE BELT COVER.**

Step 1: Block the front of the mower up to give access to the underside of the front deck. Then remove the standard blades.

Step 2: Using the illustration in figure1. Install the deflectors and baffles with the enclosed hardware, 5/16x3/4 carriage bolts, 5/16 nyloc nuts, and 5/16 flat washers. Note: The head of carriage bolts must be on the underside of the deck.

Step 3: Install the mulching blades, remember to adjust the blade spacers to the desired positions for the cutting height.

Step 4: Rotate the blades by hand and check for clearance of all baffles and deflectors.

Step 5: Remove blocks and return the mower to its normal position. Flip the discharge chute up. Do not remove the chute. Using the illustration in figure2, hold the discharge cover in place and install the hardware in the upper two holes in the discharge cover. 3/8x1 hex bolts, 3/8 nyloc nuts and 3/8 flat washers. Note: Make sure the top of the discharge cover is level with the chute mount before tightening the hardware.

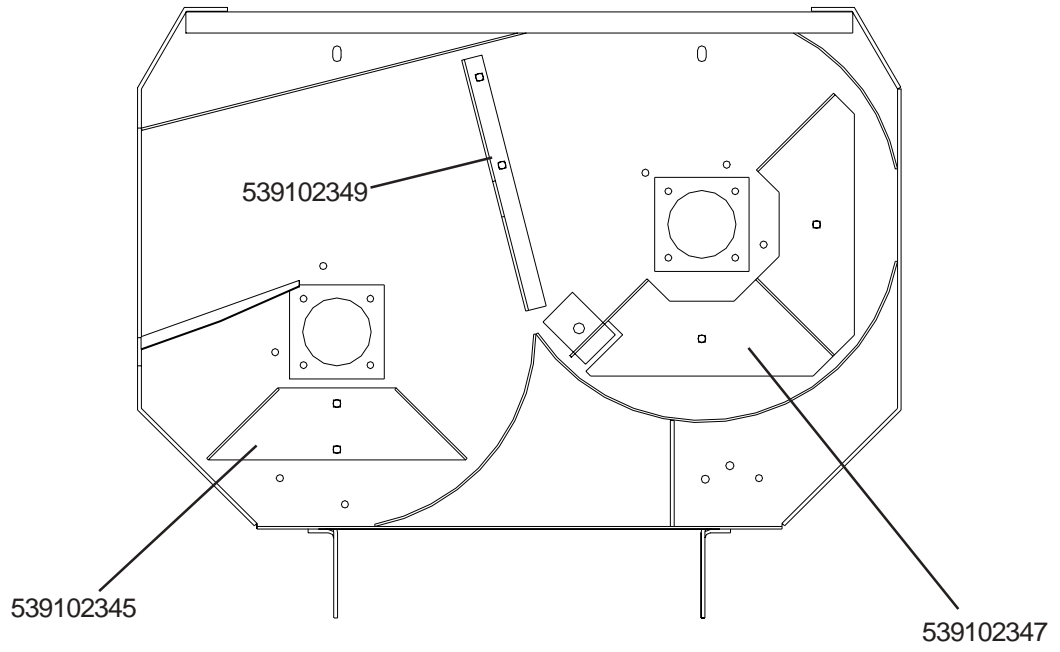
Step 6: Install the clamp as shown in figure 2. Use a 5/16x1 hex bolt, two 5/16 flat washers, and a 5/16 nyloc nut. Make sure both washers are between the clamp and the discharge cover and the clamp overlaps onto the front corner of the deck as shown.

**NOTE:**

**Your Mulching Kit can be used with a bagger or side discharge. Just remove the discharge cover and attach the bagger or flip the discharge chute down and the mower is ready for use.**

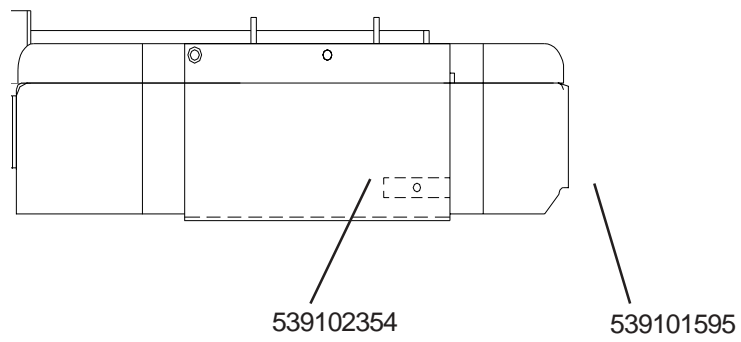
## PARTS LIST

<u>Part No.</u>	<u>Qty.</u>	<u>Description</u>
539102347 .....	1 .....	36 Large Baffle
539102345 .....	1 .....	36 Small Baffle
539102349 .....	1 .....	36 Center Baffle
539102354 .....	1 .....	Discharge Cover
539101595 .....	1 .....	Clamp
539101485 .....	2 .....	Blade
539990209 .....	1 .....	5/16x1 Hex Bolt
539990692 .....	8 .....	5/16 Flat Washer
539976979 .....	2 .....	3/8 Nyloc Nut
539990563 .....	2 .....	3/8x1 Hex Bolt
539990316 .....	6 .....	5/16x3/4 Carriage Bolt
539990517 .....	2 .....	3/8 Flat Washer
539990717 .....	7 .....	5/16 Nyloc Nut



**FIGURE 1**

---



**FIGURE 2**