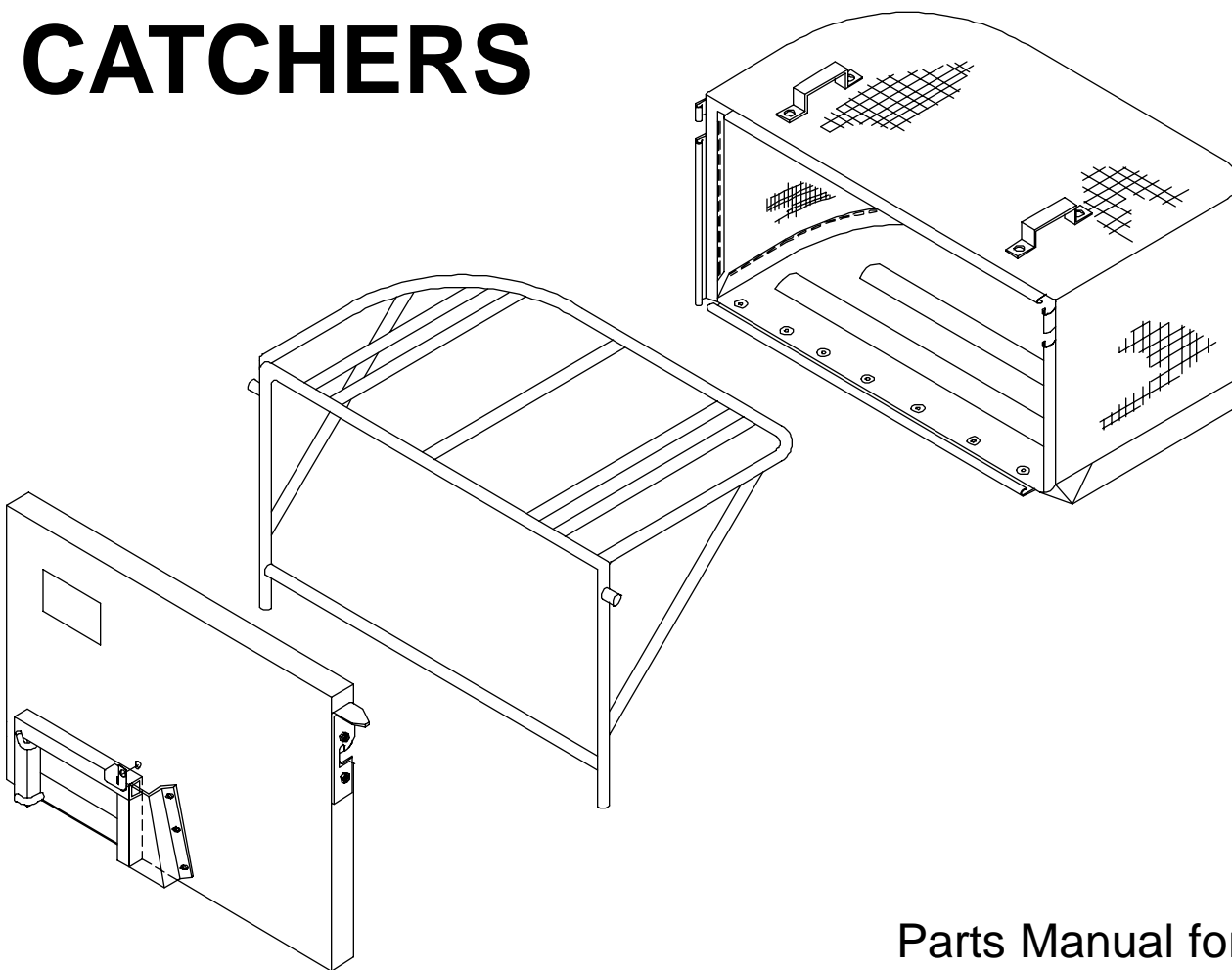




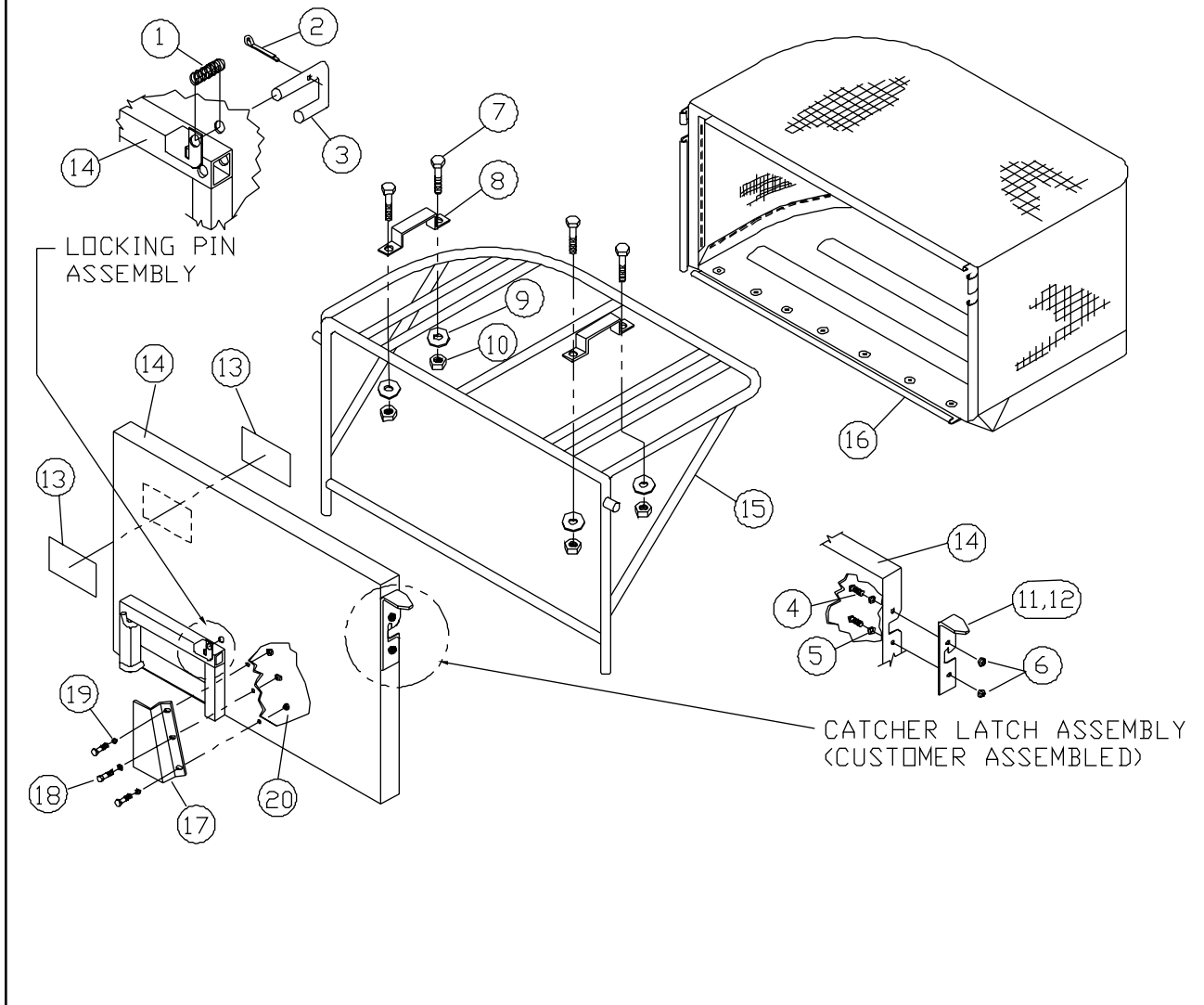
GRASS & LEAF CATCHERS



Parts Manual for:
MODEL : 539104727 3 Bu.
MODEL : 539104728 5 Bu.

Husqvarna policy is to improve its products whenever it is possible and practical to do so. In an effort to keep pace with changes in technology, Husqvarna reserves the right to make changes or improvements at any time without incurring any obligation to make such changes on products previously manufactured.

**MODEL 539104728
5 BUSHEL LEAF CATCHER**



PART			
ITEM NO.	QTY.	DESCRIPTION	
1	1	539977856	Compression Spring
2	1	539100306	Locking Pin
3	1	539990555	3/32 x 1/2 Cotter Pin
4	4	539976952	10-24 x 5/8 Panhead Screw
5	4	539976983	1/4 Dia. Spring Washer
6	4	539976977	10-24 Nyloc Nut
7	4	539990548	1/4-20 x 1 HH Capscrew
8	2	539976585	Hopper Handle
9	4	539990598	1/4 Flat Washer
10	4	539976978	1/4-20 Nyloc Nut

PART			
ITEM NO.	QTY.	DESCRIPTION	
11	1	539978581	Catcher Latch, Right
12	1	539976582	Catcher Latch, Left
13	1	539976583	Warning Decal
14	1	539100310	Backplate
15	1	539100335	Hopper Frame
16	1	539100268	Fabric Bag
17	3	539102193	Adapter Shield
18	3	539976934	5/16C X 3/4 HCS
19	3	539990184	Washer Flat 5/16
20	1	539990692	Nut 5/16C

Order replacement parts by part no. and description.