



SERVICE PARTS LIST

HAMMER DRILL

Catalog No. **5390**

Starting Serial No. **422-44300**

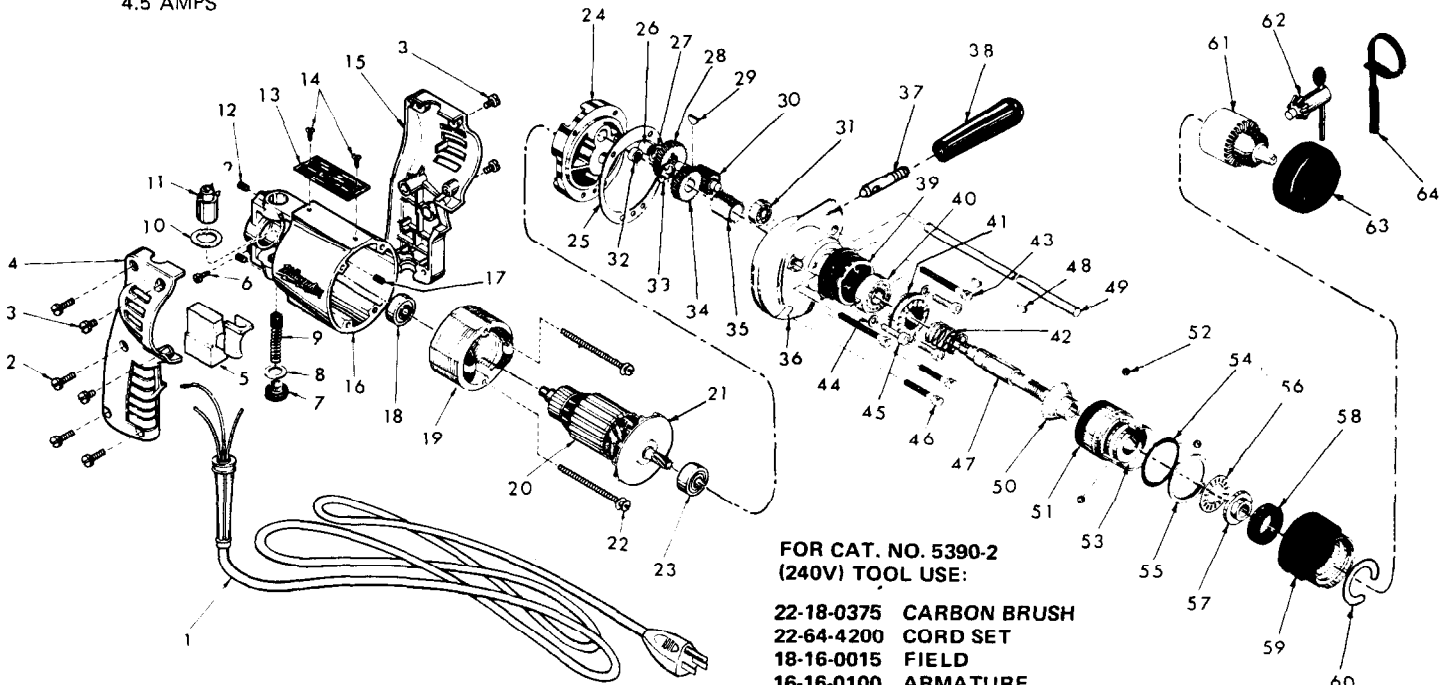
Specify Catalog and Serial No. when ordering parts

BUL. 54-24-1506

REVISED BUL. 54-24-1505 DATE 1-'79

WIRING INSTRUCTIONS **58-01-0648**

2500 R.P.M.
4.5 AMPS



FOR CAT. NO. 5390-2
(240V) TOOL USE:

- 22-18-0375 CARBON BRUSH
- 22-64-4200 CORD SET
- 18-16-0015 FIELD
- 16-16-0100 ARMATURE

FIG.	PART NO.	DESCRIPTION OF PART	NO. REQ.
1	22-64-0665	Cord Set	(1)
2	06-81-0400	8-32x3/4 Pan Hd. Screw	(4)
3	06-81-0450	8-32x3/8 Pan Hd. Screw	(4)
★ 4	31-44-0610	R. H. Handle Half	(1)
5	23-66-0515	Switch	(1)
6	06-81-8625	6-32x1/4 Ground Screw	(1)
7	23-44-0060	Brush Retaining Screw	(2)
8	23-86-0050	Washer	(2)
★ 9	22-18-0362	Carbon Brush Assembly	(2)
10	23-86-0105	Washer	(2)
★ 11	22-22-1271	Brush Holder Assembly	(2)
12	06-83-2430	10-32x1/4 Hdls. Skt. Screw	(2)
13	12-99-0023	Nameplate	(1)
14	06-85-0200	6x1/4 Rd. Hd. Type Z Screw	(2)
★ 15	31-44-0620	L. H. Handle Half	(1)
16	28-50-6091	Motor Housing (Includes Fig. 17)	(1)
17	45-30-0120	Ball Brg. Retaining Slug	(1)
18	02-04-0740	Ball Bearing	(1)
★ 19	18-10-0015	120 V. Field	(1)
★ 20	16-10-0100	120 V. Armature (Includes Fig. 21)	(1)
21	22-84-0440	Fan Assembly	(1)
★ 22	06-81-5950	6-32x1-7/8 Rd. Hd. Sem	(2)
23	02-04-0880	Ball Bearing	(1)
24	28-28-1441	Diaphragm	(1)
25	43-44-0280	Gasket	(1)
26	02-50-1210	Needle Bearing	(1)
★ 27	45-88-7280	Thrust Washer	(1)
28	32-40-1041	Intermediate Gear	(1)
29	06-42-0400	Woodruff Key	(1)
30	36-66-4091	Intermediate Pinion Shaft	(1)
31	02-04-0640	Ball Bearing	(1)
32	02-50-1610	Needle Bearing	(1)
33	34-60-0800	Retaining Ring	(1)

FIG.	PART NO.	DESCRIPTION OF PART	NO. REQ.
34	32-75-2711	Spindle Gear	(1)
35	45-36-0611	Spindle Spacer	(1)
36	28-14-1322	Gear Case Assembly	(1)
37	45-58-0220	Clamping Stud	(1)
38	43-62-0465	Handle	(1)
39	31-86-0111	Spacer	(1)
40	02-08-0510	Ball Bearing	(1)
41	44-84-0071	Fixed Ratchet	(1)
42	40-50-7680	Ratchet Spring	(1)
43	06-81-6740	8-32x2 Fil. Hd. Sem	(2)
44	06-97-3200	Lock Washer	(3)
45	06-75-2060	8-32x5/8 Soc. Hd. Cap Screw	(3)
46	06-81-6500	8-32x1-3/8 Fil. Hd. Sem	(2)
47	38-50-5013	Spindle	(1)
48	06-42-0800	Woodruff Key	(2)
49	44-94-0161	Depth Rod	(1)
50	44-84-0066	Rotating Ratchet	(1)
51	45-22-0281	Sleeve	(1)
52	02-02-0180	3/16 Inch Steel Ball	(3)
53	45-36-0592	Shift Spacer	(1)
54	34-40-1500	O-Ring	(1)
55	34-60-2125	Retaining Ring	(1)
56	02-80-1200	Thrust Bearing	(1)
57	45-36-0621	Thrust Spacer	(1)
58	45-06-0160	Felt Seal	(1)
59	42-76-0181	Shift Collar Assembly	(1)
60	44-86-0190	Retainer	(1)
61	48-66-0810	3/8" Chuck—3/8-24 Thread (Includes Fig. 62)	(1)
62	48-66-3240	Chuck Key	(1)
63	49-62-0090	Hammer Dust Shield	(1)
64	48-66-4040	Key Holder	(1)
65	10-98-5985	Caution Label (Not Shown)	(1)