

SERVICE PARTS LIST

HAMMER DRILL

Catalog No. 5390

Starting Serial No. 422-3751

BUL. 54-24-1501

REVISED BUL. 54-24-1500 DATE Aug. '73

WIRING INSTRUCTIONS 58-01-0050

Specify Catalog and Serial No. when ordering parts

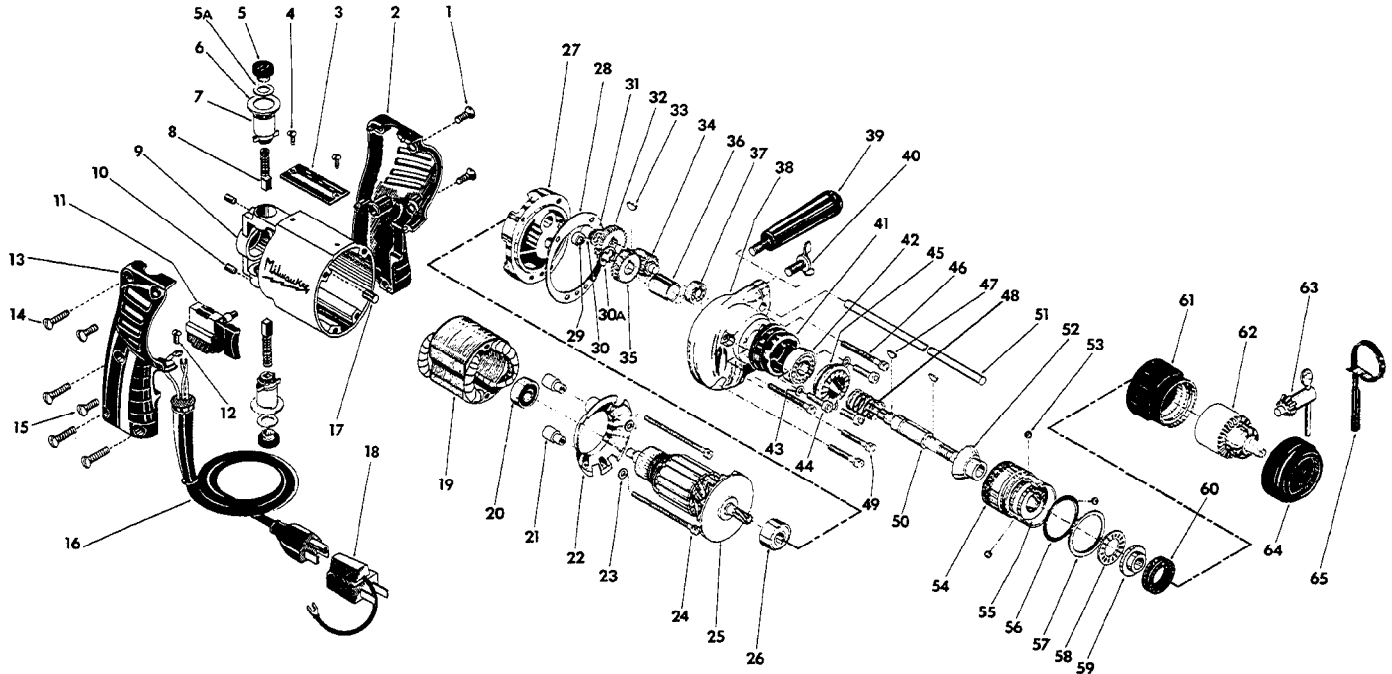


FIG.	PART NO.	DESCRIPTION OF PART	NO. REQ.
1	06-81-0450	8-32x3/8 Pan Hd. Screw	(2)
2	31-44-0211	L.H. Handle Half	(1)
3	12-98-0600	Nameplate	(1)
4	06-81-4300	3-48x3/16 Rd. Hd. Screw	(2)
5	23-44-0060	Brush Retaining Cap	(2)
5a	23-86-0050	Brush Retaining Cap Washer	(2)
6	23-86-0070	Insulating Washer	(2)
7	22-22-0271	Brush Holder Assy.	(2)
8	22-18-0410	Carbon Brush Assy.	(2)
9	28-50-6091	Motor Housing Assy. (Incl. Item 17)	(1)
10	06-83-2450	10-32x3/8 Soc. Hd. Set Screw	(2)
11	23-66-0510	Switch	(1)
12	06-81-8625	6-32x1/4 Brass Rd. Hd. Ground Scr.	(1)
13	31-44-0200	R.H. Handle Half	(1)
14	06-81-0400	8-32x3/4 Pan Hd. Screw	(4)
15	06-81-0450	8-32x3/8 Pan Hd. Screw	(2)
16	22-64-0450	Cord Set	(1)
17	45-30-0120	Ball Bearing Ret. Slug	(1)
18	48-03-0010	Attachment Plug Adaptor	(1)
19	18-22-1160	Field Assembly	(1)
20	02-04-0740	Ball Bearing	(1)
21	45-36-0601	Baffle Spacer	(2)
22	31-05-0010	Baffle	(1)
23	45-88-7170	Washer	(2)
24	06-81-6010	6-32x2-5/8 Fil. Hd. Sem Field Scrs.	(2)
25	16-22-1290	Armature Assembly	(1)
26	02-04-0880	Ball Bearing	(1)
27	28-28-1441	Diaphragm	(1)
28	43-44-0280	Gasket	(1)
29	02-50-1610	Spindle Shaft Needle Bearing	(1)
30	02-50-1210	Int. Shaft Needle Bearing	(1)
30a	34-60-0800	"E" Ring	(1)
31	45-88-7160	Thrust Washer	(1)
32	32-40-1041	Intermediate Gear	(1)

FIG.	PART NO.	DESCRIPTION OF PART	NO. REQ.
33	06-42-0400	Woodruff Key	(1)
34	36-66-4091	Int. Pinion Shaft	(1)
35	32-75-2711	Spindle Gear	(1)
36	45-36-0611	Spindle Spacer	(1)
37	02-04-0640	Int. Shaft Ball Bearing	(1)
38	28-14-1321	Gear Case Assembly	(1)
39	43-62-0470	Side Handle Assy.	(1)
40	06-88-0100	(1/4-20) Wing Screw	(1)
41	31-86-0111	Spacer	(1)
42	02-08-0510	Spindle Ball Bearing	(1)
43	06-97-3200	No. 8 Split Ring Lock Washer	(3)
44	06-75-2060	8-32x5/8 Soc. Hd. Spacer Mtg. Scr.	(3)
45	44-84-0071	Fixed Ratchet	(1)
46	06-81-6650	8-32x1-3/4 Fil. Hd. Sem	(2)
47	06-42-0800	Woodruff Key	(2)
48	40-50-7680	Ratchet Spring	(1)
49	06-81-6400	8-32x1-1/8 Fil. Hd. Sem	(2)
50	38-50-5013	Spindle	(1)
51	44-94-0161	Depth Rod	(1)
52	44-84-0066	Rotating Ratchet (See Item 50)	(1)
53	02-02-0180	3/16 Steel Ball	(3)
54	45-22-0281	Sleeve	(1)
55	45-36-0592	Shift Spacer	(1)
56	34-40-1500	"O" Ring	(1)
57	34-60-2125	Retaining Ring	(1)
58	02-80-1200	Needle Thrust Bearing	(1)
59	45-36-0621	Thrust Spacer	(1)
60	45-06-0160	Felt Seal	(1)
61	42-76-0181	Shift Collar	(1)
62	48-66-0810	Chuck	(1)
63	48-66-3240	Chuck Key	(1)
64	49-62-0090	Dust Shield	(1)
65	48-66-4040	Key Holder	(1)