



SERVICE PARTS LIST

BUL. 54-24-3043

3/4" ELECTRIC HAMMER

REVISED BUL. 54-24-3042 DATE Nov. '82

Catalog No. 5361

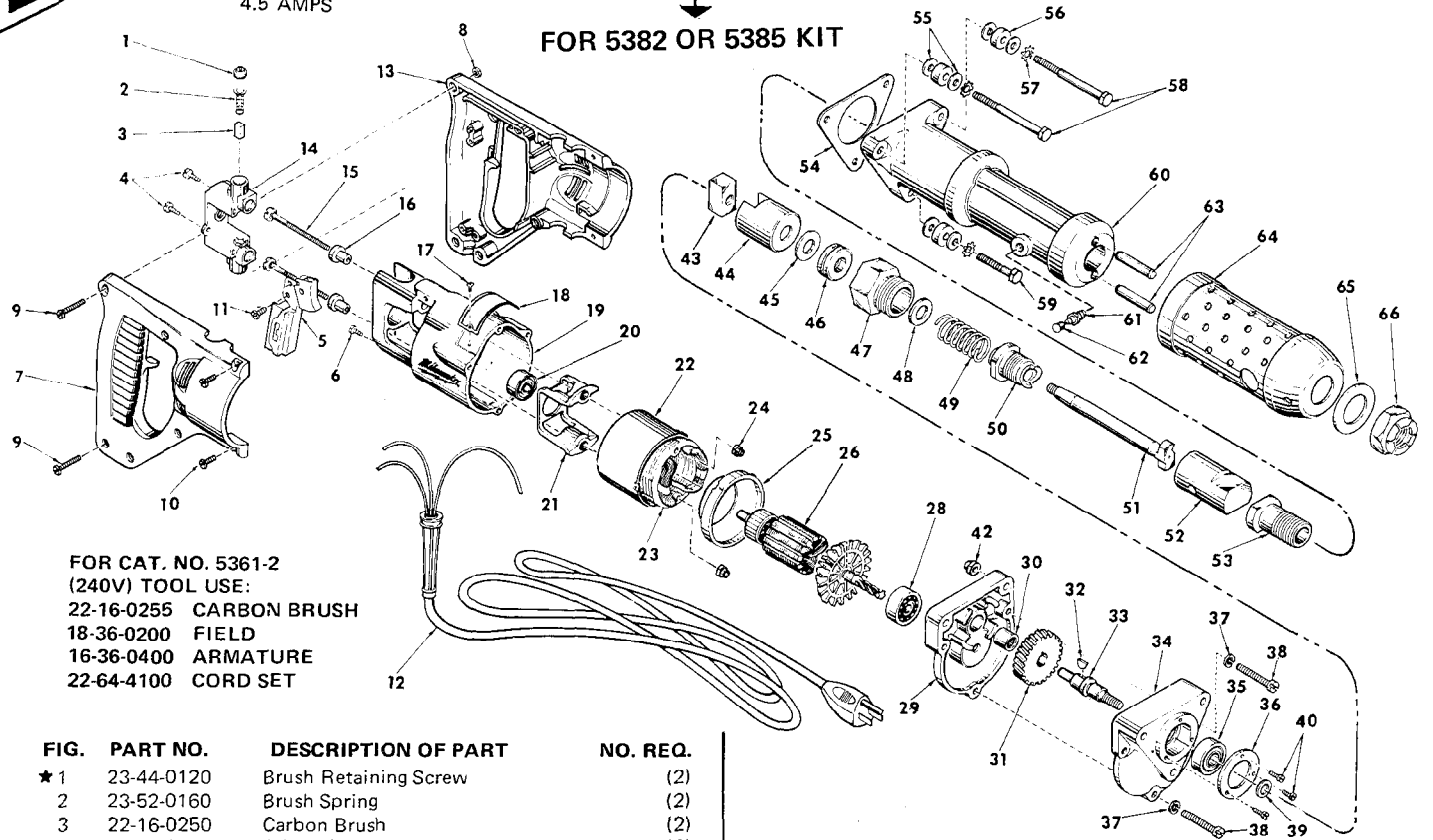
Starting Serial No. **489-9500**

WIRING INSTRUCTIONS **58-01-0181**

Specify Catalog and Serial No. when ordering parts

4.5 AMPS

FOR 5382 OR 5385 KIT



FOR CAT. NO. 5361-2
(240V) TOOL USE:
22-16-0255 CARBON BRUSH
18-36-0200 FIELD
16-36-0400 ARMATURE
22-64-4100 CORD SET

FIG.	PART NO.	DESCRIPTION OF PART	NO. REQ.
★ 1	23-44-0120	Brush Retaining Screw	(2)
2	23-52-0160	Brush Spring	(2)
3	22-16-0250	Carbon Brush	(2)
4	06-81-5477	6-32x3/8 Binding Hd. Sem	(2)
5	23-66-0505	Switch	(1)
6	06-81-8625	6-32x1/4 Ground Screw	(1)
★ 7	31-44-0562	R.H. Half D Handle	(1)
★ 8	06-55-0825	8-32 Hex Nut	(5)
9	06-81-0472	8-32x1 Pan Hd. Screw	(5)
10	06-81-0047	8-32x1/2 Pan Hd. Screw	(4)
★ 11	06-95-0215	8-18x1/2 Thread Form. Screw	(1)
★ 12	22-64-0405	Cord Set	(1)
★ 13	31-44-0572	L.H. Half D Handle	(1)
14	22-22-0302	Brush Holder Assembly	(1)
15	06-81-1055	8-32x2-3/16 Field Bolt	(2)
16	31-86-0120	Insulating Spacer	(2)
17	06-85-0200	6x1/4 Rd. Hd. Type Z Screw	(2)
18	12-99-0032	Nameplate	(1)
19	28-50-6148	Motor Housing	(1)
20	02-04-0891	Ball Bearing	(1)
21	31-55-0030	Coil Shield	(1)
22	23-16-0456	Field Insulator	(1)
23	18-30-0300	120 V. Field	(1)
24	06-57-2975	8-32 Flexlock Hex Nut	(2)
25	31-05-0050	Baffle	(1)
★ 26	16-30-0410	120 Volt Armature	(1)
★ 27	10-98-5987	Caution Label (Not Shown)	(1)
28	02-04-0970	Ball Bearing	(1)
29	28-28-0162	Diaphragm	(1)
30	02-50-2110	Needle Bearing	(1)
31	32-75-1241	Spindle Gear	(1)
32	06-42-1200	Woodruff Key	(1)
33	38-50-1351	Spindle	(1)
34	28-14-0321	Gear Case	(1)
35	02-04-1250	Ball Bearing	(1)
36	44-66-0060	Cover Plate	(1)
37	06-97-3600	Lock Washer	(3)

FIG.	PART NO.	DESCRIPTION OF PART	NO. REQ.
38	06-81-1475	12-24x1-1/8 Fil. Hd. Screw	(3)
39	45-88-0080	Chuck Washer	(1)
40	06-81-5800	6-32x5/16 Fil. Hd. Sem	(3)
41	14-12-0110	Cylinder Assy. (Incl. Figs. 42 thru 66)	(1)
42	06-57-5000	1/4-20 Lock Nut	(2)
43	43-12-0050	Male Driver	(1)
44	43-12-0070	Female Driver	(1)
45	45-88-0310	Thrust Washer 1/32	} As Required
	45-88-5340	Thrust Washer 1/16	
	45-88-5360	Thrust Washer 3/32	
46	02-80-1000	Thrust Bearing	(1)
47	44-40-0080	Mechanism Nut	(1)
48	45-88-0100	Steel Washer	(1)
49	40-50-1100	Compression Spring	(1)
50	42-50-0060	Female Cam	(1)
51	36-10-0501	Cam Shaft	(1)
52	44-62-0060	Piston	(1)
53	42-40-0080	Nose Bushing	(1)
54	43-44-0050	Shock Absorber Gasket	(1)
55	45-88-5220	Flat Washer	(6)
56	45-88-0090	Shock Absorber Washer	(3)
57	06-97-1000	Lock Washer	(3)
58	06-75-0250	1/4-20x2-1/2 Hex. Hd. Cap Screw	(2)
59	06-75-0200	1/4-20x1-1/4 Hex. Hd. Cap Screw	(1)
60	28-25-0141	Hammer Cylinder (Incl. Figs. 61 thru 63)	(1)
61	43-33-0050	Grease Fitting	(1)
62	42-52-0100	Lube Cap	(1)
63	44-60-0140	Piston Pin	(2)
64	45-12-0070	Perforated Shield Assy.	(1)
65	45-88-5420	Flat Washer	(1)
66	44-40-0090	Elastic Stop Nut	(1)