

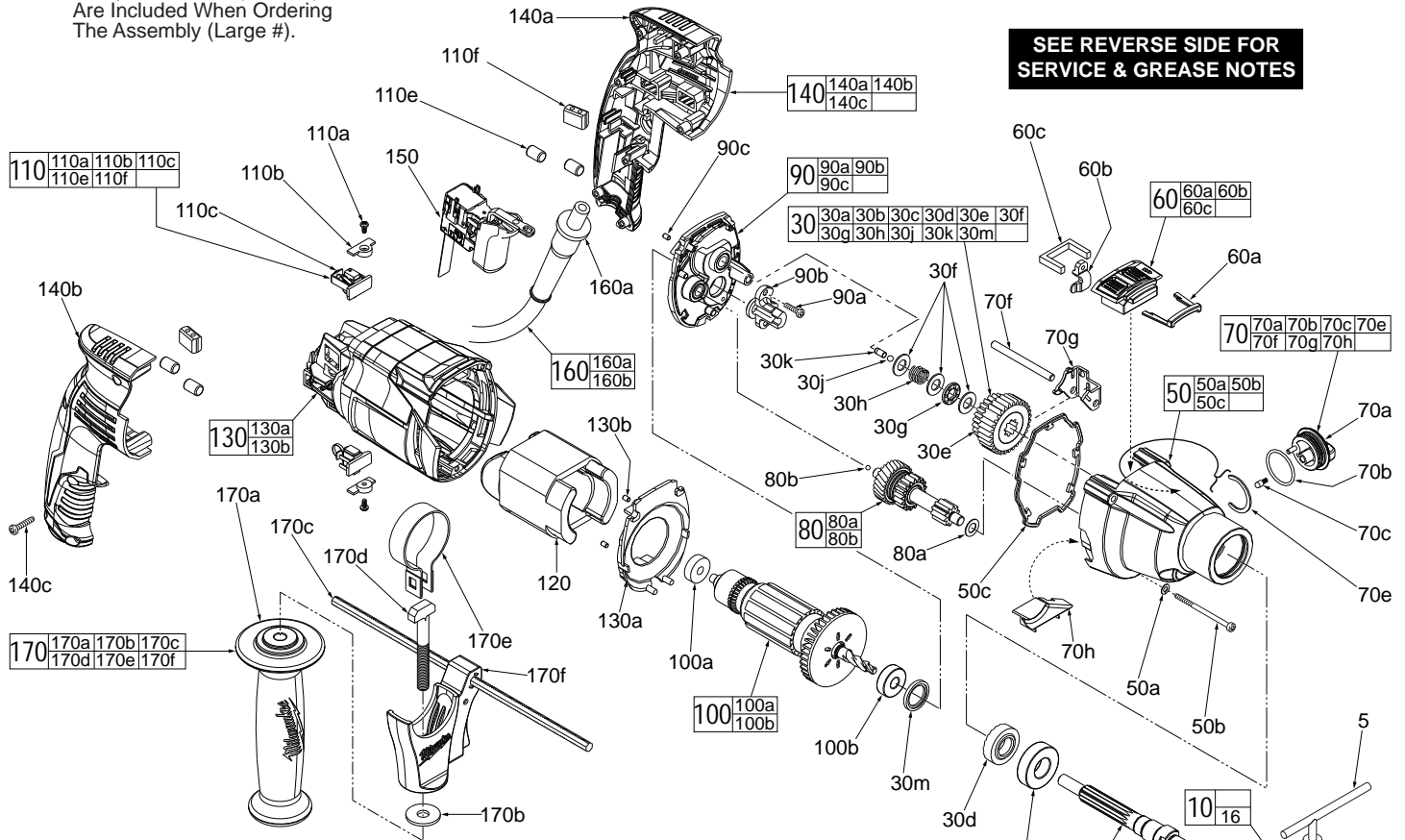


SERVICE PARTS LIST

BULLETIN NO.
55-24-0690

SPECIFY CATALOG NO. AND SERIAL NO. WHEN ORDERING PARTS		REVISED BULLETIN	DATE
13mm HAMMER-DRILL			Feb. 2012
CATALOG NO.	5378-59A	STARTING SERIAL NO.	E30A
		WIRING INSTRUCTION SEE PAGE 3	

EXAMPLE:
00 0 Component Parts (Small #)
Are Included When Ordering
The Assembly (Large #).



**SEE REVERSE SIDE FOR
SERVICE & GREASE NOTES**

FIG.	PART NO.	DESCRIPTION OF PART	NO. REQ.
5	48-66-1357	Chuck Key	(1)
10	48-66-5378	Keyed Service Chuck	(1)
16	05-88-1500	M6 x 27 Chuck Screw	(1)
30	14-29-5390	Gear Assembly	(1)
30a	34-80-5380	Retaining Ring	(1)
30b	43-44-5390	Oil Seal	(1)
30c	02-04-5380	Ball Bearing	(1)
30d	44-84-5390	Rotating Ratchet	(1)
30e	-----	1st and 2nd Spindle Gear Assembly	(1)
30f	45-88-5378	Washer	(3)
30g	02-80-5380	Thrust Bearing	(1)
30h	40-50-5380	Spring	(1)
30j	02-02-5380	Ball	(1)
30k	44-60-5381	Pin	(1)
30m	43-44-5377	Seal Ring	(1)
40	38-50-5390	Spindle Shaft	(1)
50	28-14-5390	Gearcase Assembly (Incl. pressed in needle bearing and fixed ratchet)	(1)
50a	05-90-0225	Spring Washer	(3)
50b	06-81-6110	M4 x 52 ST T-20 Screw	(3)
50c	43-44-5375	Gasket	(1)
60	14-34-5390	Selector Housing Assembly	(1)
60a	43-44-5381	Rubber Seal	(1)
60b	43-96-5375	Speed Selector Key	(1)
60c	43-44-5378	Felt Seal	(1)
70	44-10-5390	Shift Selector Assembly	(1)
70a	31-05-5372	Shift Knob Assembly	(1)
70b	34-40-5390	O-Ring	(1)
70c	44-60-5380	Steel Cap Assembly	(1)
70e	34-80-5390	Retaining Ring	(1)
70f	44-94-5390	Pin	(1)
70g	44-66-6600	Shifting Clip	(1)
70h	44-66-5381	Grease Plate	(1)
80	14-29-5395	Gear Shaft Assembly	(1)
80a	45-88-5381	Washer	(1)
80b	02-02-0165	Ball	(1)
90	28-14-5390	Diaphragm Assy. (Incl. pressed in bearings)	(1)
90a	05-88-5380	M3.5 x 12 T-10 Screw	(2)
90b	42-36-5380	Pinion Support	(1)
90c	42-34-5380	Rubber Slug	(3)
100	16-07-0001	Service Armature Assembly	(1)

Apply a drop of Blue Loctite® thread locking adhesive to chuck screw (10a) prior to installing onto spindle (40).

FIG.	PART NO.	DESCRIPTION OF PART	NO. REQ.
100a	02-04-5382	Ball Bearing	(1)
100b	02-04-5381	Ball Bearing	(1)
110	22-22-5390	Carbon Brush Assembly	(1)
110a	06-81-5381	M3 x 6 Pan Hd. Phillips Screw	(2)
110b	44-66-5379	Brush Holder Retaining Plate	(2)
110c	22-22-5395	Brush Assy.-regular (Incl. Spring & Holder)	(2)
110e	44-60-5379	Roller Pin	(4)
110f	42-28-5380	Anti-Vibration Block	(2)
120	18-07-0001	Service Field	(1)
130	31-50-5390	Motor Housing	(1)
130a	31-05-5390	Baffle	(1)
130b	42-34-5380	Rubber Slug	(2)
140	14-34-5390	Rear Handle Assembly	(1)
140a	-----	Left Handle Halve	(1)
140b	-----	Right Handle Halve	(1)
140c	05-88-1200	M4 x 16 Pan Hd. T-20 Screw	(7)
150	23-66-5390	Switch	(1)
160	22-64-5395	Cord Set	(1)
160a	44-76-0210	Cord Protector	(1)
160b	50-66-5378	Chuck Key Holder (Not Shown)	(1)
170	43-62-5378	Side Handle Assembly	(1)
170a	31-05-5379	Side Handle	(1)
170b	45-88-5377	Washer	(1)
170c	44-94-5381	Depth Gauge	(1)
170d	05-81-5378	M8 x 53 Bolt	(1)
170e	40-50-5370	Side Handle Clamping Band	(1)
170f	14-34-5374	Side Handle Carrier Assembly	(1)
190	12-20-5372	Service Nameplate Kit (Not Shown)	(1)
700	42-55-5390	Carrying Case	(1)
800	23-94-0005	Leadwire Set (Incl. 800a & 800b, Not Shown)	(1)
800a	23-94-5380	Leadwire Assembly - Black (See Page 3)	(1)
800b	23-94-5381	Leadwire Assembly - Red (See Page 3)	(1)

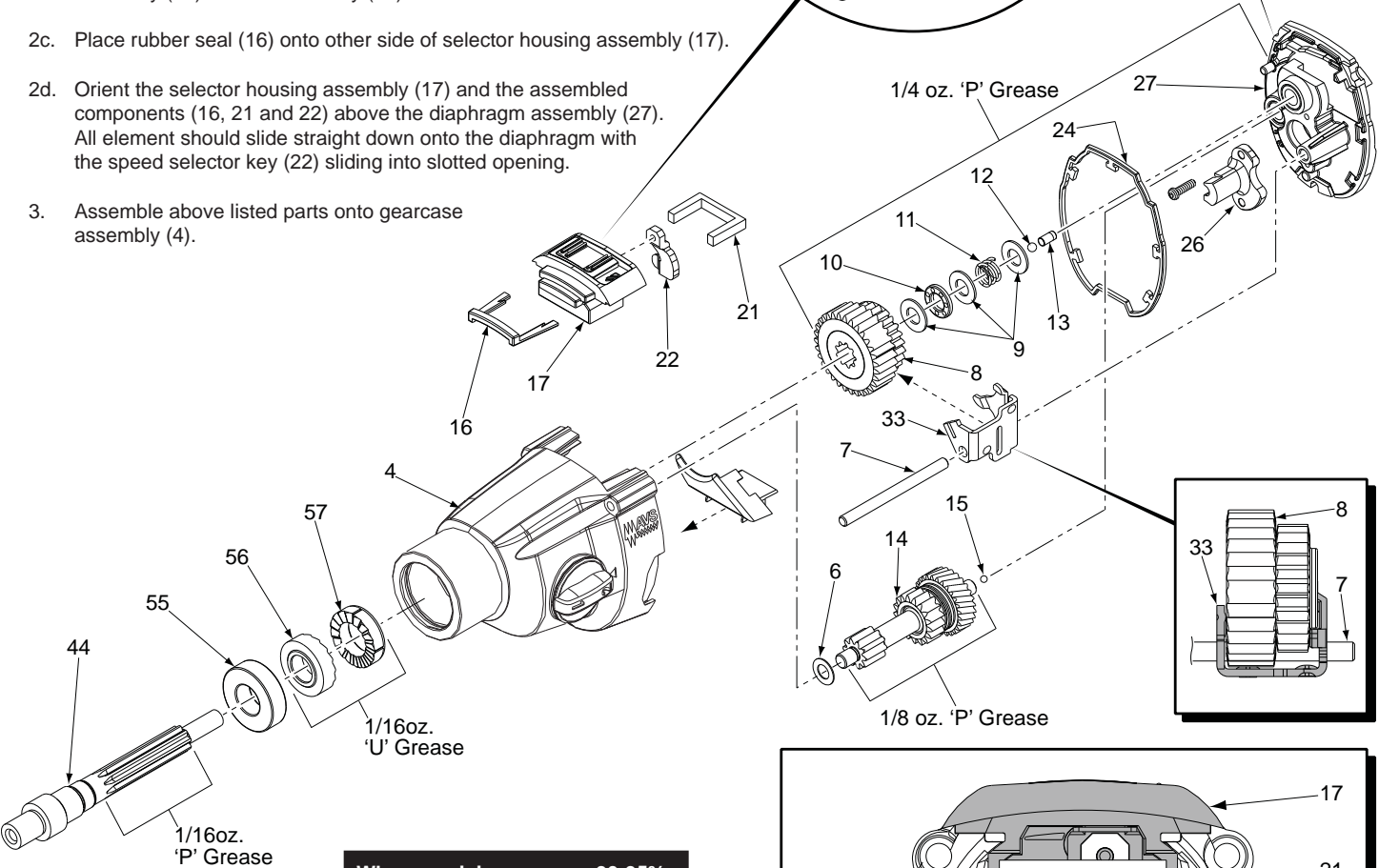
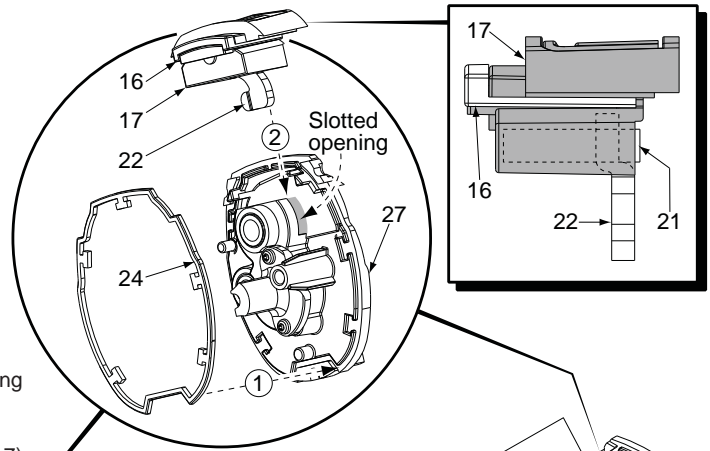
MILWAUKEE ELECTRIC TOOL CORPORATION
13135 W. Lisbon Road, Brookfield, WI 53005
Drwg. 1

Service Notes

DO NOT attempt to disassemble selector housing assembly (17).

NOTE: Gasket (24), selector housing assembly (17), speed selector key (22), rubber seal (16) and felt seal (21) must be assembled onto the diaphragm assembly (27) prior to installing onto gearcase assembly (4).

1. Place gasket (24) onto diaphragm assembly (27).
- 2a. Assemble speed selector key (22) onto selector housing assembly (17). The speed selector key will be seated on a pin in a like-shaped cavity of the selector housing assembly.
- 2b. Saturate felt seal (21) with a lightweight oil and place in selector housing assembly (17) over selector key (22).
- 2c. Place rubber seal (16) onto other side of selector housing assembly (17).
- 2d. Orient the selector housing assembly (17) and the assembled components (16, 21 and 22) above the diaphragm assembly (27). All element should slide straight down onto the diaphragm with the speed selector key (22) sliding into slotted opening.
3. Assemble above listed parts onto gearcase assembly (4).



Lubrication Instructions

Type "P" (49-08-4250)
Type "U" (49-08-0150)

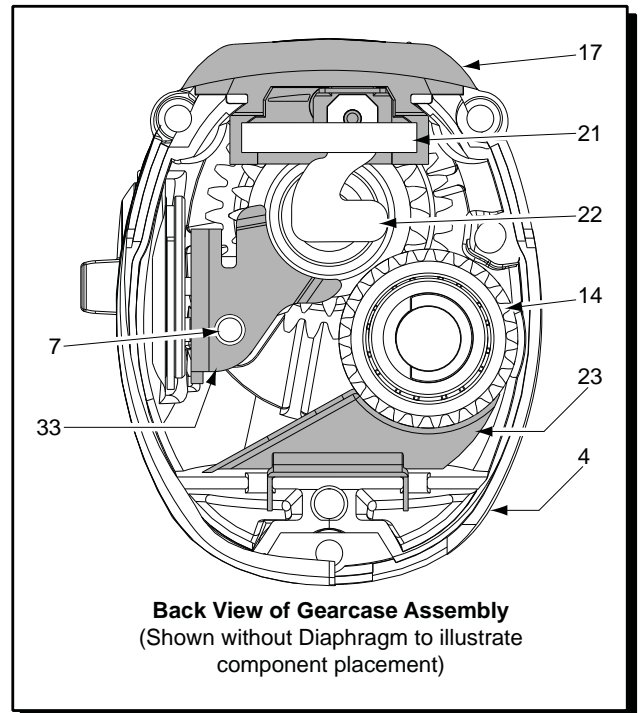
When servicing, remove 90-95% of the existing grease prior to installing Type 'P' grease. Original grease maybe similar in color but not compatible with 'P'.

1. Coat ratchets (56,57) with 1/16 oz. of Type "U" grease, No. 49-08-0150.
2. Coat spindle spline (44), ball (12) and pin (13) with 1/16 oz. of Type "P" grease, No. 49-08-4250.
3. Place 1/8 oz. of Type "P" grease, No. 49-08-4250, around the gear shaft assembly (14) area of gearcase (4) .
4. Lubricate gear assembly (parts 6,7,8,9,10,11,12,13,14,15,24,25,26,33,58, 59 and 60) using 1/4 oz. of Type "P" grease, No. 49-08-4250.

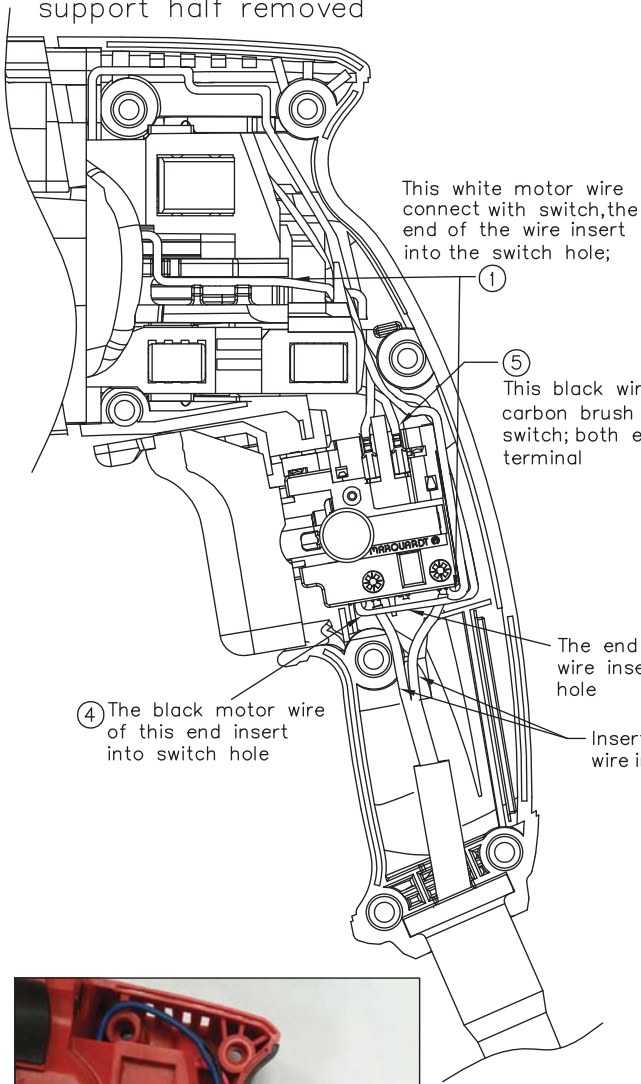
Total amount of lubrication: approximately 1/2 oz.

Saturate felt seal (21) with lightweight oil before assembling onto selector housing assembly (17).

Do not place gear shaft assembly (14) in solvent solution. Wipe off with a clean dry cloth.



Wiring information handle support half removed



Wiring information handle cover half removed

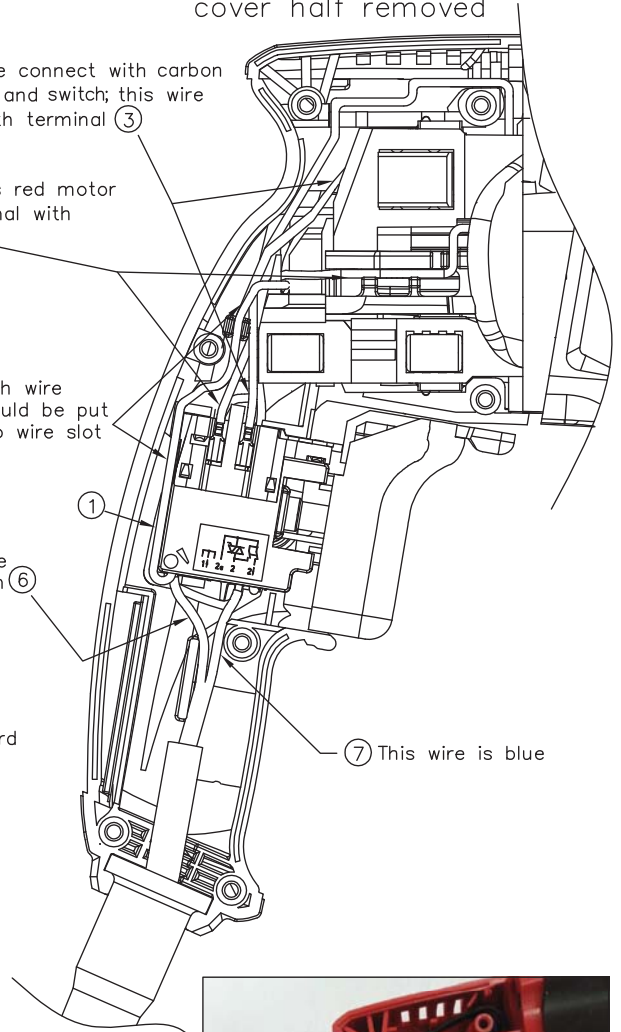
This red wire connect with carbon brush Ass'y and switch; this wire both end with terminal ③

Connect this red motor wire's terminal with switch ②

Both wire should be put into wire slot

This wire is brown ⑥

⑦ This wire is blue



Wire Number	Wire Color	Origin
1	White	Field
2	Red	Field
3	Red	23-94-5381
4	Black	Field
5	Black	23-94-5380
6	Brown	Cord Set
7	Blue	Cord Set

WIRING SCHEMATIC

