



SERVICE PARTS LIST

BULLETIN NO.
54-24-0180

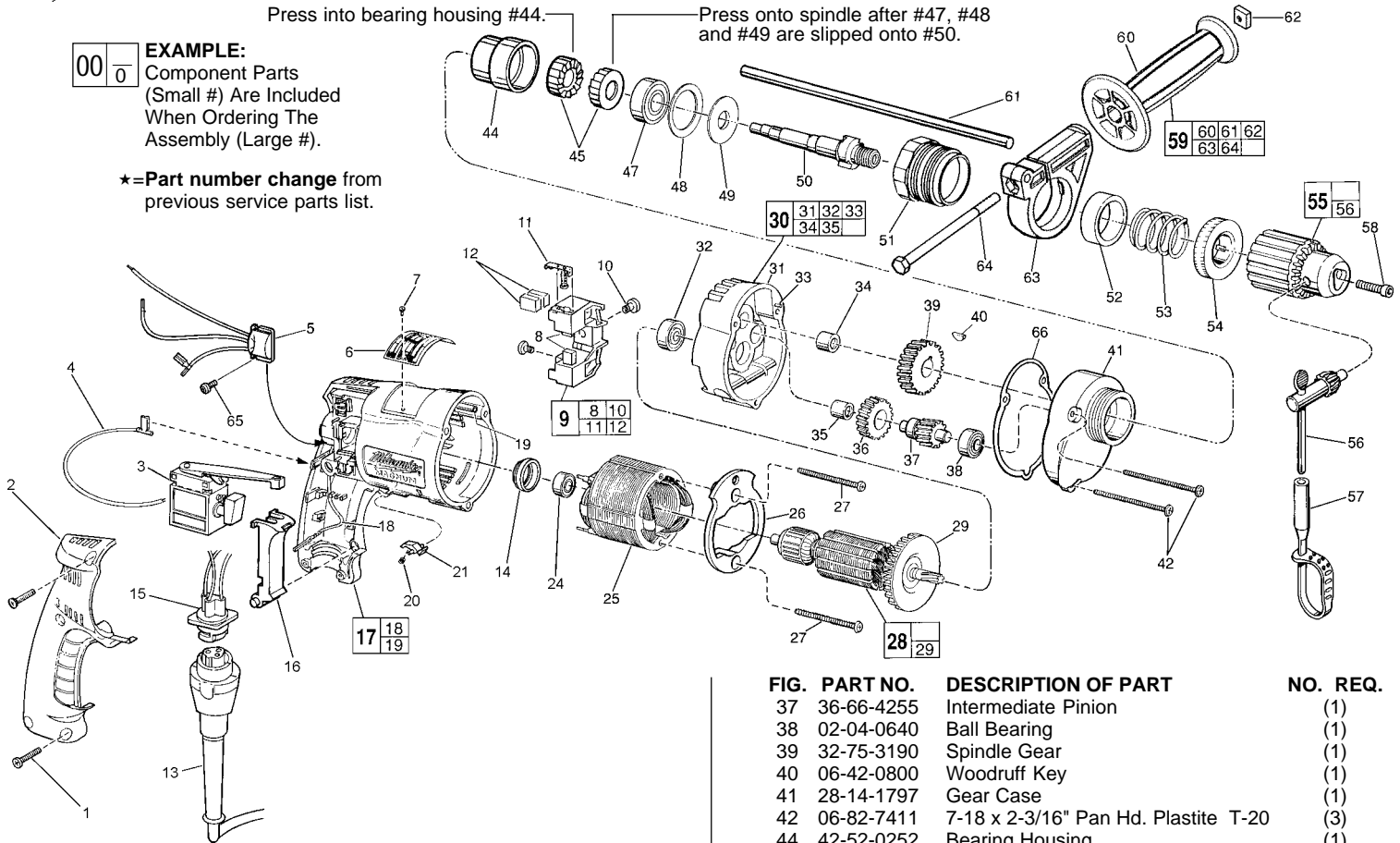
| | | | |
|--|---------------------------------|---|-------------------|
| SPECIFY CATALOG NO. AND SERIAL NO. WHEN ORDERING PARTS | | REVISED BULLETIN 54-24-0179 | DATE Nov. 2002 |
| 1/2" REV. MAGNUM HAMMER-DRILL | | | |
| CATALOG NO. 5374-1 | STARTING SERIAL NO. 715D | WIRING INSTRUCTION 58-01-1650 | |

EXAMPLE:
Component Parts
(Small #) Are Included
When Ordering The
Assembly (Large #).

★=Part number change from
previous service parts list.

Press into bearing housing #44.

Press onto spindle after #47, #48
and #49 are slipped onto #50.



| FIG. | PART NO. | DESCRIPTION OF PART | NO. | REQ. |
|------|------------|------------------------------------|-----|------|
| 1 | 06-82-7266 | 7-18 x 11/16" Plastite Screw T-20 | (5) | |
| 2 | 31-15-0402 | Handle Cover | (1) | |
| 3 | 23-66-1666 | TSC Reversing Switch | (1) | |
| 4 | 23-94-6247 | 2-1/4" Lead Assembly | (1) | |
| 5 | 14-20-0795 | Remote Electronic Assembly | (1) | |
| 6 | 12-99-0225 | Nameplate Blank | (1) | |
| 7 | 06-72-1720 | Nameplate Rivet | (2) | |
| 8 | 22-16-0300 | Carbon Brush | (2) | |
| 9 | 22-22-0356 | Brush Holder Assembly | (1) | |
| 10 | 31-75-0040 | Brush Holder Screw | (2) | |
| 11 | 22-20-0355 | Brush Spring Assembly | (2) | |
| 12 | 22-16-0300 | Carbon Brush (Spares) | (2) | |
| 13 | 48-76-4008 | 8 Foot Quik-Lok Cord Set | (1) | |
| 14 | 22-72-0100 | Bearing Cup | (1) | |
| 15 | 22-56-0807 | Pin Housing Assembly | (1) | |
| 16 | 45-72-0081 | Trigger | (1) | |
| 17 | 14-38-0540 | Motor Housing Assembly | (1) | |
| 18 | 23-94-9960 | Ground Wire Assembly | (1) | |
| 19 | 44-60-1290 | Grounding Pin | (1) | |
| 20 | 40-50-0085 | Lock Button Spring | (1) | |
| 21 | 42-42-0460 | Lock Button | (1) | |
| 24 | 02-04-0645 | Ball Bearing | (1) | |
| 25 | 18-11-0075 | 120 Volt Field | (1) | |
| 26 | 42-14-0390 | Baffle | (1) | |
| 27 | 06-82-7398 | 7 -18 x 2-1/16" Pan Hd. Screw T-20 | (2) | |
| 28 | 16-10-0800 | 120 Volt Armature | (1) | |
| 29 | 22-84-0880 | Fan Assembly | (1) | |
| 30 | 14-13-0497 | Diaphragm Assembly | (1) | |
| 31 | ----- | Diaphragm | (1) | |
| 32 | 02-04-0847 | Ball Bearing | (1) | |
| 33 | 06-65-0880 | Ground Pin | (1) | |
| 34 | 02-50-2020 | Needle Bearing | (1) | |
| 35 | 02-50-1620 | Needle Bearing | (1) | |
| 36 | 32-40-1820 | Intermediate Gear | (1) | |

| FIG. | PART NO. | DESCRIPTION OF PART | NO. | REQ. |
|------|------------|--|-----|------|
| 37 | 36-66-4255 | Intermediate Pinion | (1) | |
| 38 | 02-04-0640 | Ball Bearing | (1) | |
| 39 | 32-75-3190 | Spindle Gear | (1) | |
| 40 | 06-42-0800 | Woodruff Key | (1) | |
| 41 | 28-14-1797 | Gear Case | (1) | |
| 42 | 06-82-7411 | 7-18 x 2-3/16" Pan Hd. Plastite T-20 | (3) | |
| 44 | 42-52-0252 | Bearing Housing | (1) | |
| 45 | 44-84-0295 | Ratchet | (2) | |
| 47 | 02-04-1536 | Ball Bearing | (1) | |
| 48 | 45-88-7350 | Bearing Retainer Washer | (1) | |
| 49 | 45-88-7365 | Spring Support Washer | (1) | |
| 50 | 38-50-5577 | Spindle | (1) | |
| 51 | 45-22-0405 | Sleeve (Left Hand Thread) | (1) | |
| 52 | 45-88-7375 | Felt Washer | (1) | |
| 53 | 40-50-4950 | Spring | (1) | |
| 54 | 42-76-0200 | Locking Collar | (1) | |
| 55 | 48-66-1365 | 1/2" Reversing Chuck | (1) | |
| 56 | 48-66-3280 | Chuck Key | (1) | |
| 57 | 48-66-4040 | Key Holder | (1) | |
| 58 | 06-75-3155 | 1/4-20 x 1" Socket Hd. Screw L.H. Thread | (1) | |
| ★ 59 | 14-46-5500 | Side Handle Kit | (1) | |
| ★ 60 | 43-62-0842 | Side Handle | (1) | |
| 61 | 44-94-0161 | Depth Rod | (1) | |
| ★ 62 | 06-54-0300 | 5/16-18 Square Nut | (1) | |
| ★ 63 | 31-17-0230 | Handle Ring | (1) | |
| ★ 64 | 06-75-5835 | 5/16-18 x 4-1/2" Hex Hd. Bolt | (1) | |
| 65 | 06-82-7212 | 4-20 x 1/4" Pan Hd. Plastite T-10 | (1) | |
| 66 | 43-44-0913 | Gasket | (1) | |
| | 23-94-6232 | 4" Lead Assembly | (1) | |
| | 23-94-6237 | 4-1/8" Lead Assembly | (1) | |
| | 23-94-6242 | 3-3/8" Lead Assembly | (1) | |
| | 10-98-5986 | Warning Label | (1) | |

FIG. LUBRICATION

41 1-1/2 Oz. Type "E" Grease, No. 49-08-4122.

45 Apply Thin Coat "U" Grease, No. 49-08-0150,
To Ratchet Teeth.

MILWAUKEE ELECTRIC TOOL CORPORATION
13135 W. LISBON RD., BROOKFIELD, WI 53005