



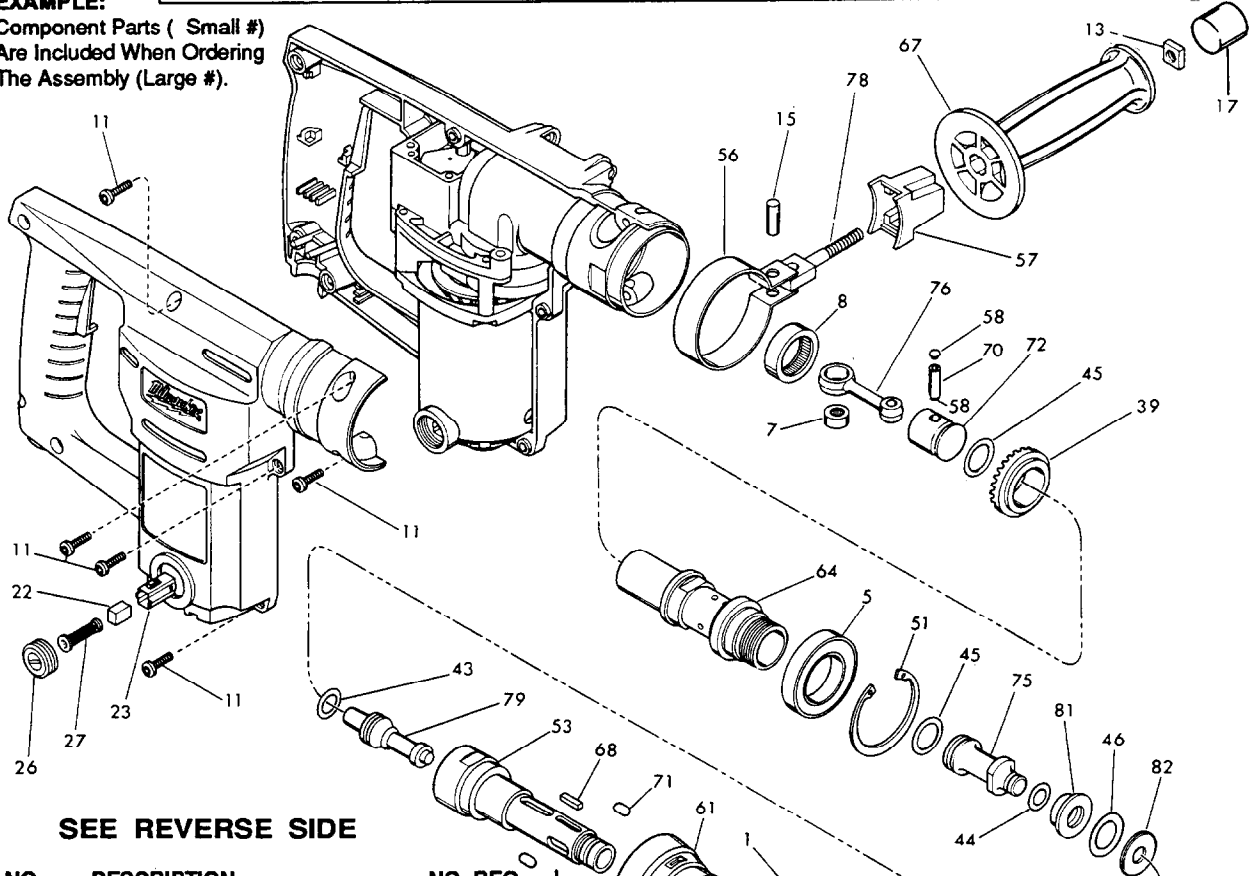
# SERVICE PARTS LIST

**BULLETIN NO.**  
**55-24-0130**

|  |                                    |   |         |
|--|------------------------------------|---|---------|
| SPECIFY CATALOG NO. AND SERIAL NO. WHEN ORDERING PARTS |                                    | REVISED BULLETIN                        | DATE    |
| <b>1" ROTARY HAMMER</b>                                |                                    |   | Jan.'91 |
| CATALOG NO. <b>5363-4</b>                              | STARTING SERIALNO. <b>707-1001</b> | WIRING INSTRUCTION<br><b>58-03-1330</b> |         |

**EXAMPLE:**  
Component Parts ( Small # )  
Are Included When Ordering  
The Assembly ( Large # ).

00 0



**SEE REVERSE SIDE**

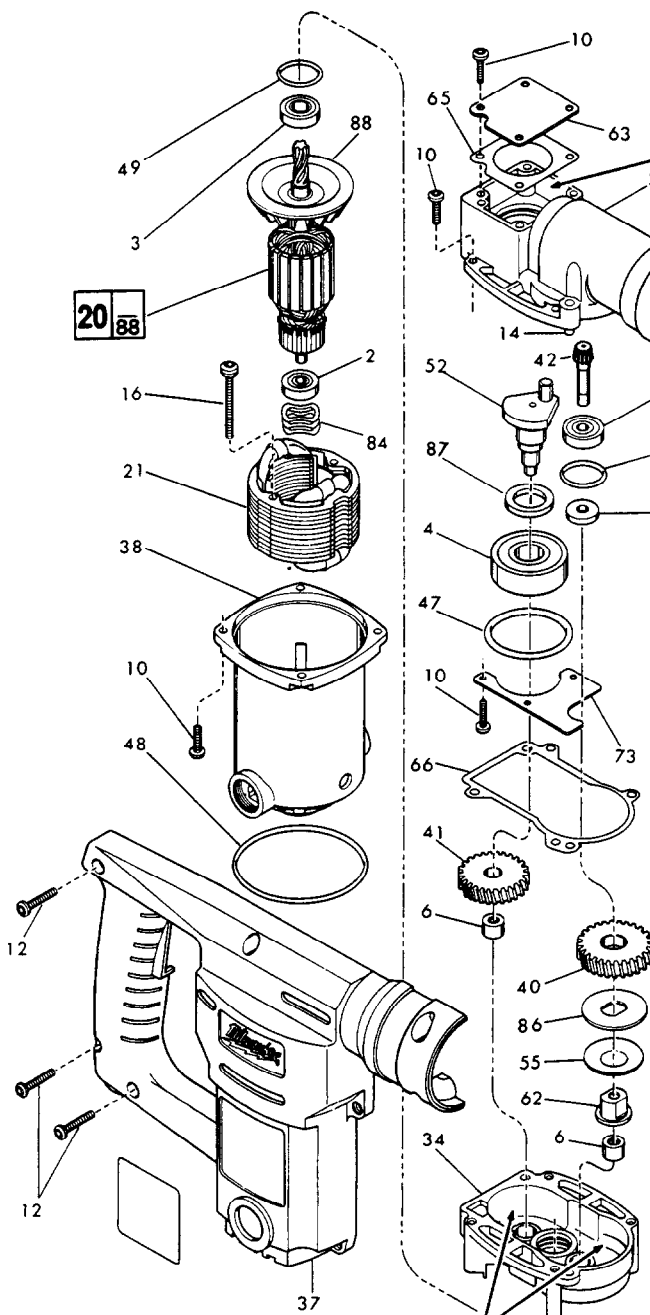
| FIG. | PART NO.   | DESCRIPTION                              | NO. REQ. |
|------|------------|--|----------|
| 1    | 02-02-0275 | 7mm Ball                                 | (2)      |
| 5    | 02-04-2525 | Ball Bearing                             | (1)      |
| 7    | 02-50-2000 | Needle Bearing                           | (1)      |
| 8    | 02-50-6445 | Needle Bearing                           | (1)      |
| 11   | 05-88-8288 | M4 x .7 x 13 mm Sems Slit. T-20          | (7)      |
| 13   | 06-54-0300 | 5/16"-18 Square Nut                      | (1)      |
| 15   | 06-65-3515 | 1/4" x 3/4" Long Dowel Pin               | (1)      |
| 17   | 44-68-0560 | Plug                                     | (1)      |
| 22   |            | Carbon Brush(Refer to Brush Service Kit) | (2)      |
| 23   | 22-20-0780 | Brush Holder                             | (2)      |
| 25   | 22-90-0210 | Grommet                                  | (1)      |
| 26   | 23-44-0220 | Brush Cap Screw                          | (2)      |
| 27   | 23-52-0255 | Brush Spring(Refer to Brush Serv. Kit)   | (2)      |
| 39   | 32-05-2220 | Bevel Gear                               | (1)      |
| 43   | 45-06-0510 | Quad Ring Seal                           | (1)      |
| 44   | 34-40-1210 | O-Ring                                   | (1)      |
| 45   | 34-40-1215 | O-Ring                                   | (2)      |
| 46   | 34-40-1220 | O-Ring                                   | (1)      |
| 50   | 34-60-2520 | External Retaining Ring                  | (1)      |
| 51   | 34-80-2980 | Internal Retaining Ring                  | (1)      |
| 53   | 38-50-5790 | Spindle                                  | (1)      |
| 54   | 40-50-1275 | Spring                                   | (1)      |
| 56   | 42-16-0120 | Side Handle Band                         | (1)      |
| 57   | 42-36-1501 | Side Handle Bracket                      | (1)      |
| 58   | 42-42-0240 | Button                                   | (2)      |
| 59   | 42-50-0235 | Chuck Cam                                | (1)      |
| 60   | 42-76-0485 | Chuck Collar                             | (1)      |
| 61   | 42-76-0495 | Lockout Collar                           | (1)      |
| 64   | 42-98-0190 | Barrel                                   | (1)      |
| 67   | 43-62-0840 | Side Handle                              | (1)      |
| 68   | 43-96-0135 | Key                                      | (1)      |
| 70   | 44-60-0700 | Wrist Pin                                | (1)      |
| 71   | 44-60-1150 | Roller Pin                               | (2)      |
| 72   | 44-62-0161 | Piston                                   | (1)      |
| 75   | 44-82-0135 | Ram                                      | (1)      |

| FIG. | PART NO.   | DESCRIPTION           | NO.REQ. |
|------|------------|-----------------------|---------|
| 76   | 44-94-0270 | Connecting Rod        | (1)     |
| 78   | 45-04-0650 | Side Handle Screw     | (1)     |
| 79   | 45-56-2580 | Striker               | (1)     |
| 81   | 45-88-1130 | Ram Catcher Washer    | (1)     |
| 82   | 45-88-1135 | Cushion Washer        | (1)     |
| 83   | 45-88-5610 | Spring Support Washer | (2)     |
| 85   | 45-88-8160 | Chuck Collar Washer   | (1)     |

**FIG. LUBRICATION**  
64 3/4 Oz. Type "K" Grease, No. 49-08-4161, on barrel chamber (64) between bearing (5) and gear(39).

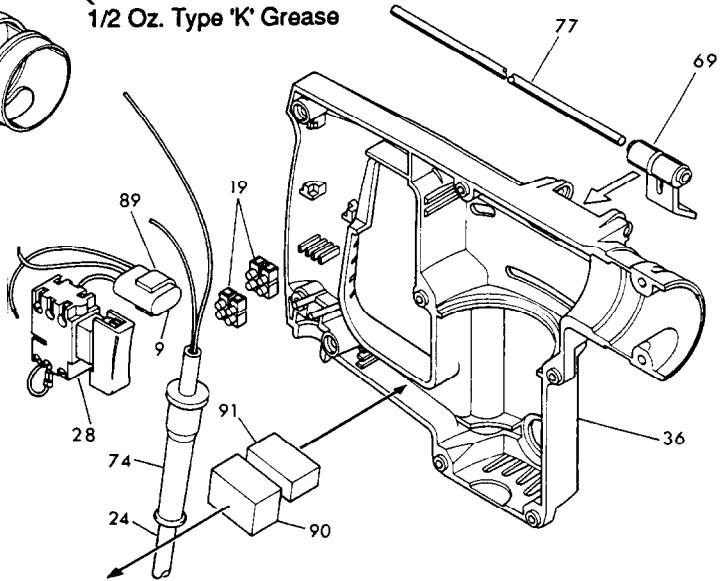
**FIG. NOTES**  
46,53, 64,81, 82 Apply two (2) drops of Type AV 271 Red Loctite or equivalent to male threads of barrel (64), 180 degrees apart. Position ram catcher washer (81) into end of barrel (64). Place cushion washer (82) and o-ring (46) into spindle (53). Thread spindle onto barrel. Place spindle nose down and clamp with vice on spindle flats while turning barrel clockwise using flats of barrel. Tighten to 85 ft./lbs.

**MILWAUKEE ELECTRIC TOOL CORPORATION**  
13135 W. LISBON RD., BROOKFIELD, WI 53005



| FIG. | PART NO.   | DESCRIPTION                        | NO. REQ. |
|------|------------|------------------------------------|----------|
| 2    | 02-04-0648 | Ball Bearing                       | (1)      |
| 3    | 02-04-0851 | Ball Bearing                       | (2)      |
| 4    | 02-04-1710 | Ball Bearing                       | (1)      |
| 6    | 02-50-1620 | Needle Bearing                     | (2)      |
| 9    | 22-33-0285 | Capacitor                          | (1)      |
| 10   | 05-88-3641 | M4 x .7 x 16mm Tapita T-20         | (15)     |
|      | 06-97-1800 | #6 Intrn. Tth. Lock Wash. (Switch) | (5)      |
|      | 10-98-6333 | Product Label - Hawk               | (1)      |

1/2 Oz. Type 'K' Grease



| FIG. | PART NO.   | DESCRIPTION                   | NO. REQ. |
|------|------------|-------------------------------|----------|
| 12   | 05-88-8296 | M4 x .7 x 21mm Sems Stt. T-20 | (3)      |
| 14   | 06-65-1310 | 1/4" x 5/8" Long Dowel Pin    | (2)      |
| 16   | 06-82-8989 | 8-32 x 1-11/16" Pan Hd. T-20  | (2)      |
| 19   | 22-56-0451 | Terminal Block                | (2)      |
| 20   | 16-14-0090 | 220 Volt Armature             | (1)      |
| 21   | 18-14-0090 | 220 Volt Field                | (1)      |
| 24   | 22-64-4525 | Cord Set                      | (1)      |
| 28   | 23-66-2010 | TSC Switch                    | (1)      |
| 34   | 28-14-2140 | Gear Case                     | (1)      |
| 35   | 28-14-2160 | Crank Case                    | (1)      |
| 36   | 31-44-1325 | Left Handle Half              | (1)      |
| 37   | 31-44-1330 | Right Handle Half             | (1)      |
| 38   | 31-50-0860 | Motor Housing                 | (1)      |
| 40   | 32-40-2015 | Intermediate Clutch Gear      | (1)      |
| 41   | 32-40-2020 | Intermediate Crank Shaft Gear | (1)      |
| 42   | 32-60-2400 | Bevel Pinion                  | (1)      |
| 47   | 34-40-1550 | O-Ring                        | (1)      |
| 48   | 34-40-2400 | O-Ring                        | (1)      |
| 49   | 34-40-2450 | O-Ring                        | (2)      |
| 52   | 36-17-0090 | Crank Shaft                   | (1)      |
| 55   | 40-50-5155 | Belleville Washer             | (1)      |
| 62   | 42-76-0660 | Clutch Collar                 | (1)      |
| 63   | 42-92-0335 | Crank Case Cover              | (1)      |
| 65   | 43-44-0680 | Crank Case Cover Gasket       | (1)      |
| 66   | 43-44-0905 | Gear Case Gasket              | (1)      |
| 69   | 44-10-0300 | Depth Rod Lever               | (1)      |
| 73   | 44-66-5760 | Bearing Retaining Plate       | (1)      |
| 74   | 44-76-0210 | Cord Protector                | (1)      |
| 77   | 44-94-0280 | Depth Rod                     | (1)      |
| 80   | 45-88-0275 | Washer                        | (1)      |
| 84   | 45-88-5615 | Wave Spring Washer            | (3)      |
| 86   | 45-88-8190 | Bronze Thrust Washer          | (1)      |
| 87   | 45-36-1430 | Spacer                        | (1)      |
| 88   | 22-84-0650 | Fan                           | (1)      |
| 89   | 45-12-0500 | Dust Shield                   | (1)      |
| 90   | 45-06-0530 | 3/4" Handle Seal              | (1)      |
| 91   | 45-06-0525 | 1/2" Handle Seal              | (1)      |

1/2 oz. Type 'K' Grease,  
1/4 oz. on each side.

**14-46-5363 BRUSH SERVICE KIT**  
**THIS KIT INCLUDES:**

|   |                                    |
|---|------------------------------------|
| 2 | Carbon Brush                       |
| 1 | 22-90-0210 Grommet                 |
| 2 | 23-52-0255 Brush Spring            |
| 1 | 34-40-1210 O-Ring                  |
| 2 | 34-40-1215 O-Ring                  |
| 1 | 34-40-1220 O-Ring                  |
| 1 | 34-40-1550 O-Ring                  |
| 1 | 34-40-2400 O-Ring                  |
| 2 | 34-40-2450 O-Ring                  |
| 1 | 34-60-2520 Retaining Ring          |
| 1 | 43-44-0680 Gasket                  |
| 1 | 43-44-0905 Gasket                  |
| 2 | 44-60-1150 Roller Pin              |
| 1 | 45-06-0510 Quad Ring Seal          |
| 1 | 34-80-2980 Internal Retaining Ring |
| 1 | 49-08-4161 5 Oz. Type "K" Grease   |

| FIG. | LUBRICATION  |
|------|--|
| 34   | 1/2 Oz. Type "K" Grease, No. 49-08-4161, in gear case, 34.         |
| 35   | 1/2 Oz. Type "K" Grease, No. 49-08-4161, in crank case cavity, 35. |