



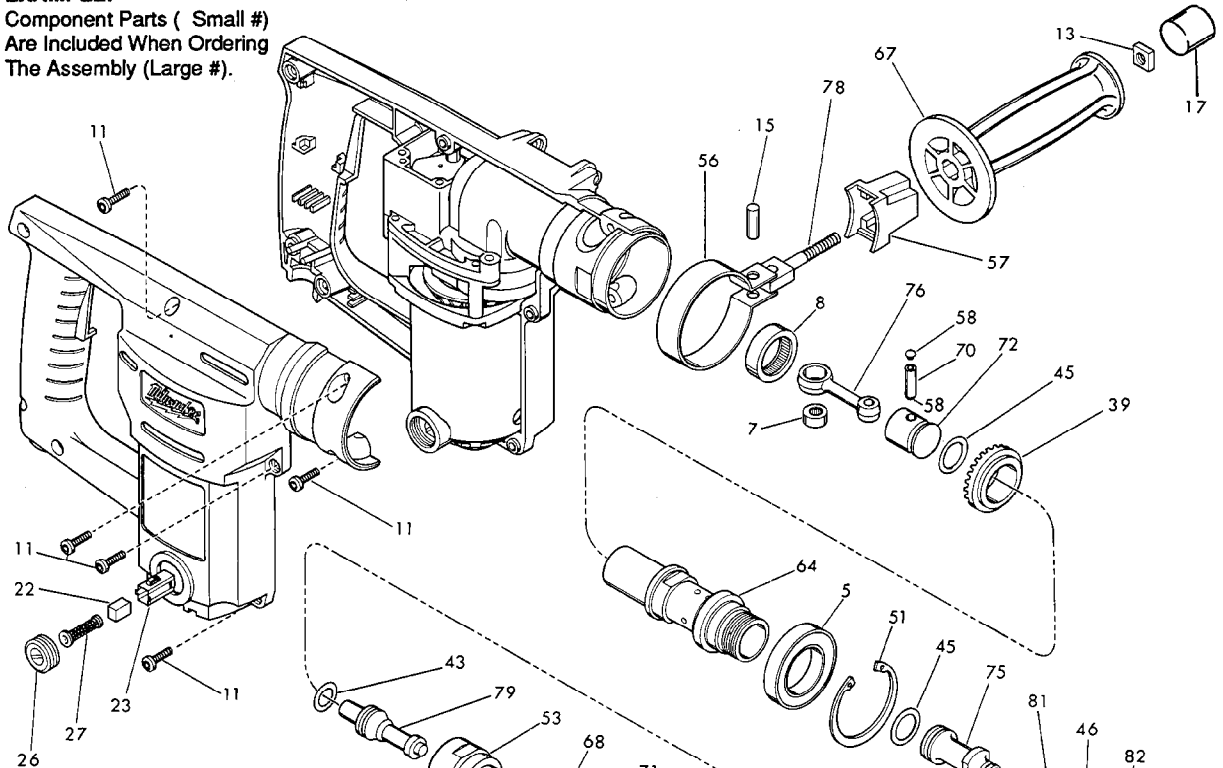
SERVICE PARTS LIST

BULLETIN NO.
54-24-0130

SPECIFY CATALOG NO. AND SERIAL NO. WHEN ORDERING PARTS		REVISED BULLETIN	DATE
1" ROTARY HAMMER			Jan.'91
CATALOG NO. 5362-1	STARTING SERIALNO. 707-1001	WIRING INSTRUCTION 58-01-0735	

EXAMPLE:
Component Parts (Small #)
Are Included When Ordering
The Assembly (Large #).

00 0



SEE REVERSE SIDE

FIG.	PART NO.	DESCRIPTION	NO. REQ.
1	02-02-0275	7mm Ball	(2)
5	02-04-2525	Ball Bearing	(1)
7	02-50-2000	Needle Bearing	(1)
8	02-50-6445	Needle Bearing	(1)
11	05-88-8288	M4 x .7 x 13 mm Sems Slit. T-20	(7)
13	06-54-0300	5/16"-18 Square Nut	(1)
15	06-65-3515	1/4" x 3/4" Long Dowel Pin	(1)
17	44-68-0560	Plug	(1)
22		Carbon Brush(Refer to Brush Service Kit)	(2)
23	22-20-0780	Brush Holder	(2)
25	22-90-0210	Grommet	(1)
26	23-44-0220	Brush Cap Screw	(2)
27	23-52-0255	Brush Spring(Refer to Brush Serv. Kit)	(2)
39	32-05-2220	Bevel Gear	(1)
43	45-06-0510	Quad Ring Seal	(1)
44	34-40-1210	O-Ring	(1)
45	34-40-1215	O-Ring	(2)
46	34-40-1220	O-Ring	(1)
50	34-60-2520	External Retaining Ring	(1)
51	34-80-2980	Internal Retaining Ring	(1)
53	38-50-5790	Spindle	(1)
54	40-50-1275	Spring	(1)
56	42-16-0120	Side Handle Band	(1)
57	42-36-1501	Side Handle Bracket	(1)
58	42-42-0240	Button	(2)
59	42-50-0235	Chuck Cam	(1)
60	42-76-0485	Chuck Collar	(1)
61	42-76-0495	Lockout Collar	(1)
64	42-98-0190	Barrel	(1)
67	43-62-0840	Side Handle	(1)
68	43-96-0135	Key	(1)
70	44-60-0700	Wrist Pin	(1)
71	44-60-1150	Roller Pin	(2)
72	44-62-0161	Piston	(1)
75	44-82-0135	Ram	(1)

FIG.	PART NO.	DESCRIPTION	NO.REQ.
76	44-94-0270	Connecting Rod	(1)
78	45-04-0650	Side Handle Screw	(1)
79	45-56-2580	Striker	(1)
81	45-88-1130	Ram Catcher Washer	(1)
82	45-88-1135	Cushion Washer	(1)
83	45-88-5610	Spring Support Washer	(2)
85	45-88-8160	Chuck Collar Washer	(1)

FIG. LUBRICATION
64 3/4 Oz. Type "K" Grease, No. 49-08-4161,
on barrel chamber, between bearing and gear.

FIG. NOTES
46,53, 64,81, 82 Apply two (2) drops of Type AV 271 Red Loctite or equivalent, 180 degrees apart to male threads of barrel. Position ram catcher washer into end of barrel. Place cushion washer and o-ring into spindle. Thread spindle onto barrel. Place spindle nose down and clamp with vice on spindle flange while turning barrel clockwise using flats of barrel. Tighten to 85 ft./lbs.

MILWAUKEE ELECTRIC TOOL CORPORATION
13135 W. LISBON RD., BROOKFIELD, WI 53005

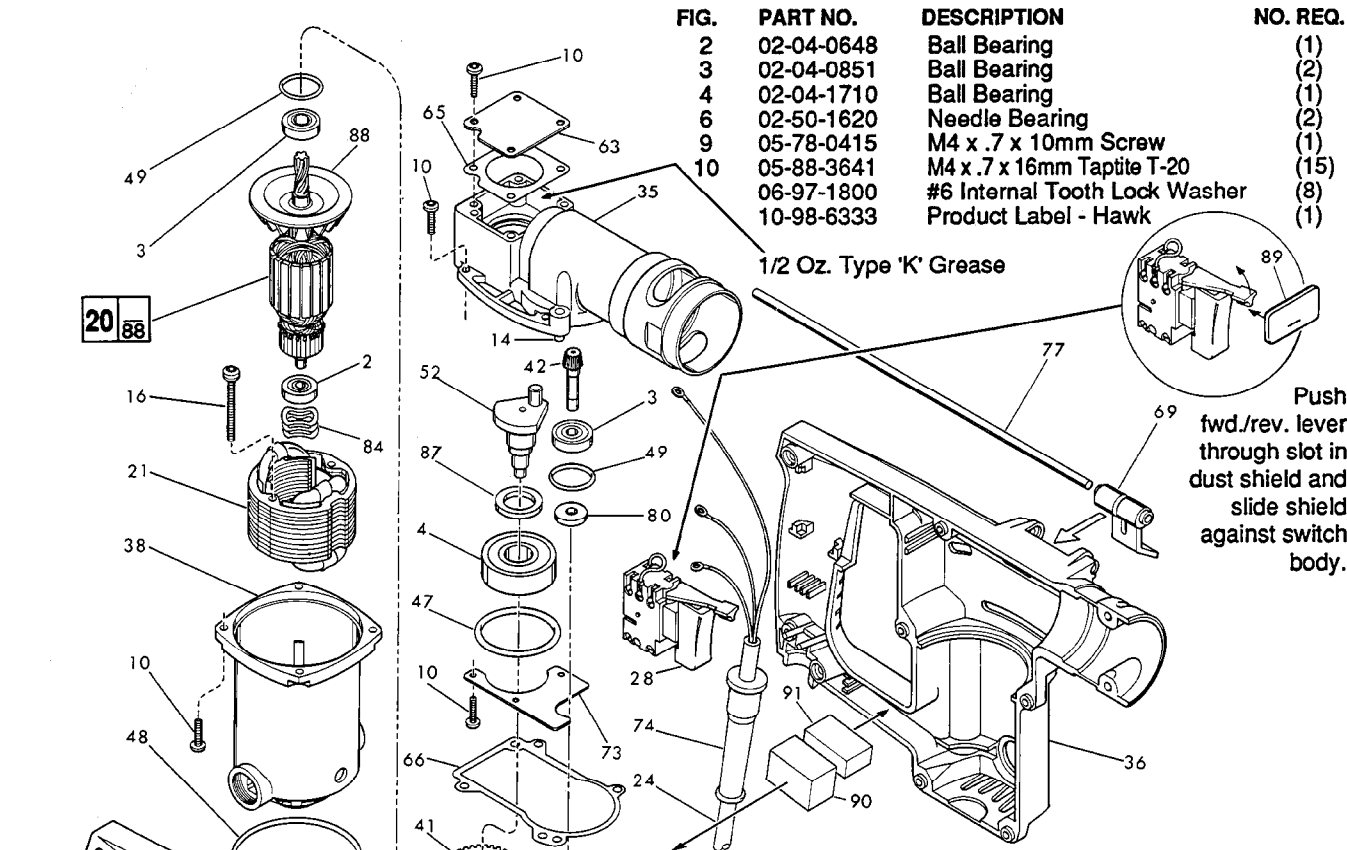


FIG.	PART NO.	DESCRIPTION	NO. REQ.
2	02-04-0648	Ball Bearing	(1)
3	02-04-0851	Ball Bearing	(2)
4	02-04-1710	Ball Bearing	(1)
6	02-50-1620	Needle Bearing	(2)
9	05-78-0415	M4 x .7 x 10mm Screw	(1)
10	05-88-3641	M4 x .7 x 16mm Tapite T-20	(15)
	06-97-1800	#6 Internal Tooth Lock Washer	(8)
	10-98-6333	Product Label - Hawk	(1)

20 88

1/2 Oz. Type 'K' Grease

Push fwd./rev. lever through slot in dust shield and slide shield against switch body.

1/2 oz. Type 'K' Grease, 1/4 oz. on each side.

FIG.	PART NO.	DESCRIPTION	NO. REQ.
12	05-88-8296	M4 x .7 x 21mm Sems Slit. T-20	(3)
14	06-65-1310	1/4" x 5/8" Long Dowel Pin	(2)
16	06-82-8989	8-32 x 1-11/16" Pan Hd. T-20	(2)
19	12-99-0155	Service Nameplate	(1)
20	16-10-0090	120 Volt Armature	(1)
21	18-10-0090	120 Volt Field	(1)
24	22-64-0155	Cord Set	(1)
28	23-66-1890	TSC Switch	(1)
34	28-14-2140	Gear Case	(1)
35	28-14-2160	Crank Case	(1)
36	31-44-1325	Left Handle Half	(1)
37	31-44-1330	Right Handle Half	(1)
38	31-50-0860	Motor Housing	(1)
40	32-40-2015	Intermediate Clutch Gear	(1)
41	32-40-2020	Intermediate Crank Shaft Gear	(1)
42	32-60-2400	Bevel Pinion	(1)
47	34-40-1550	O-Ring	(1)
48	34-40-2400	O-Ring	(1)
49	34-40-2450	O-Ring	(2)
52	36-17-0090	Crank Shaft	(1)
55	40-50-5155	Belleville Washer	(1)
62	42-76-0660	Clutch Collar	(1)
63	42-92-0335	Crank Case Cover	(1)
65	43-44-0680	Crank Case Cover Gasket	(1)
66	43-44-0905	Gear Case Gasket	(1)
69	44-10-0300	Depth Rod Lever	(1)
73	44-66-5760	Bearing Retaining Plate	(1)
74	44-76-0210	Cord Protector	(1)
77	44-94-0280	Depth Rod	(1)
80	45-88-0275	Washer	(1)
84	45-88-5615	Wave Spring Washer	(3)
86	45-88-8190	Bronze Thrust Washer	(1)
87	45-36-1430	Spacer	(1)
88	22-84-0650	Fan	(1)
89	45-12-0500	Dust Shield	(1)
90	45-06-0530	3/4" Handle Seal	(1)
91	45-06-0525	1/2" Handle Seal	(1)

14-46-5362 BRUSH SERVICE KIT

THIS KIT INCLUDES:

2	Carbon Brush
1	22-90-0210 Grommet
2	23-52-0255 Brush Spring
1	34-40-1210 O-Ring
2	34-40-1215 O-Ring
1	34-40-1220 O-Ring
1	34-40-1550 O-Ring
1	34-40-2400 O-Ring
2	34-40-2450 O-Ring
1	34-60-2520 Retaining Ring
1	43-44-0680 Gasket
1	43-44-0905 Gasket
2	44-60-1150 Roller Pin
1	45-06-0510 Quad Ring Seal
1	34-80-2980 Internal Retaining Ring
1	49-08-4161 5 Oz. Type "K" Grease

FIG.	LUBRICATION
34	1/2 Oz. Type "K" Grease, No. 49-08-4161, in gear case.
35	1/2 Oz. Type "K" Grease, No. 49-08-4161, in crank case cavity.