



SERVICE PARTS LIST

BULLETIN NO.
54-24-0501

SPECIFY CATALOG NO. AND SERIAL NO. WHEN ORDERING PARTS		REVISED BULLETIN 54-24-0500	DATE Jan. '97
OEM FALCON			
CATALOG NO.	5361	SERIAL NUMBER	883B
			WIRING INSTRUCTION 58-01-1316

00 0

EXAMPLE:
Component Parts (Small #) Are Included
When Ordering The Assembly (Large #).

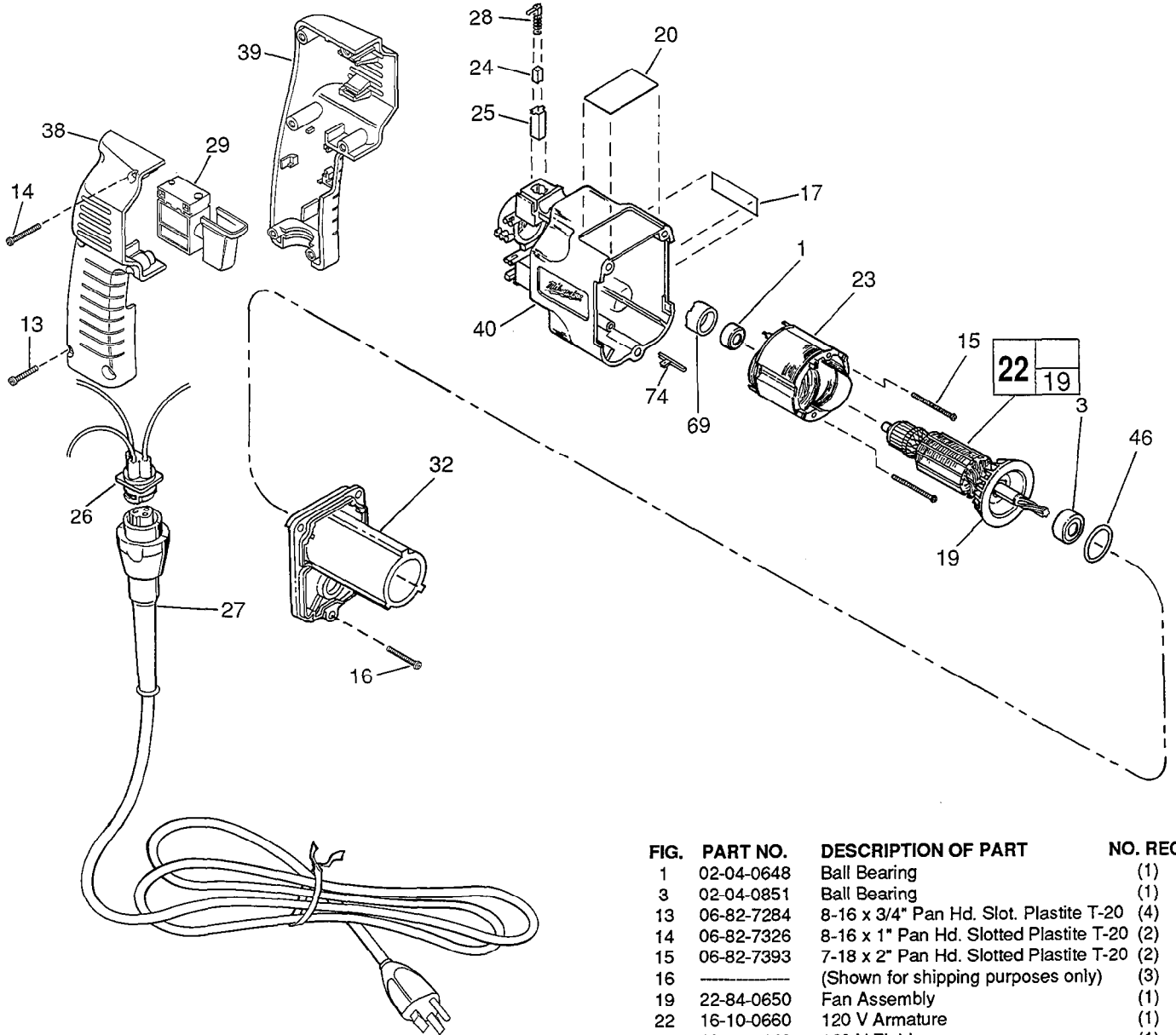


FIG.	PART NO.	DESCRIPTION OF PART	NO. REQ.
	1	02-04-0648 Ball Bearing	(1)
	3	02-04-0851 Ball Bearing	(1)
	13	06-82-7284 8-16 x 3/4" Pan Hd. Slot. Plastite T-20	(4)
	14	06-82-7326 8-16 x 1" Pan Hd. Slotted Plastite T-20	(2)
	15	06-82-7393 7-18 x 2" Pan Hd. Slotted Plastite T-20	(2)
	16	(Shown for shipping purposes only)	(3)
	19	22-84-0650 Fan Assembly	(1)
	22	16-10-0660 120 V Armature	(1)
	23	18-11-0140 120 V Field	(1)
	24	22-18-0800 Brush Service Kit	(1)
	25	22-20-0810 Brush Tube	(2)
★	26	22-56-0810 Pin Housing Assembly	(1)
	27	48-76-4008 8' Quick-Lok Cord	(1)
	28	23-52-1570 Brush Spring Assembly	(2)
	29	23-66-2122 Switch	(1)
	32	(Shown for shipping purposes only)	(1)
★	38	31-44-1781 Right Handle Half	(1)
	39	31-44-1785 Left Handle Half	(1)
★	40	31-50-0991 Motor Housing	(1)
	69	42-96-0140 Bearing Cup	(1)
	74	44-60-0530 Ground Pin	(1)

MILWAUKEE ELECTRIC TOOL CORPORATION
13135 W. LISBON RD., BROOKFIELD, WI 53005