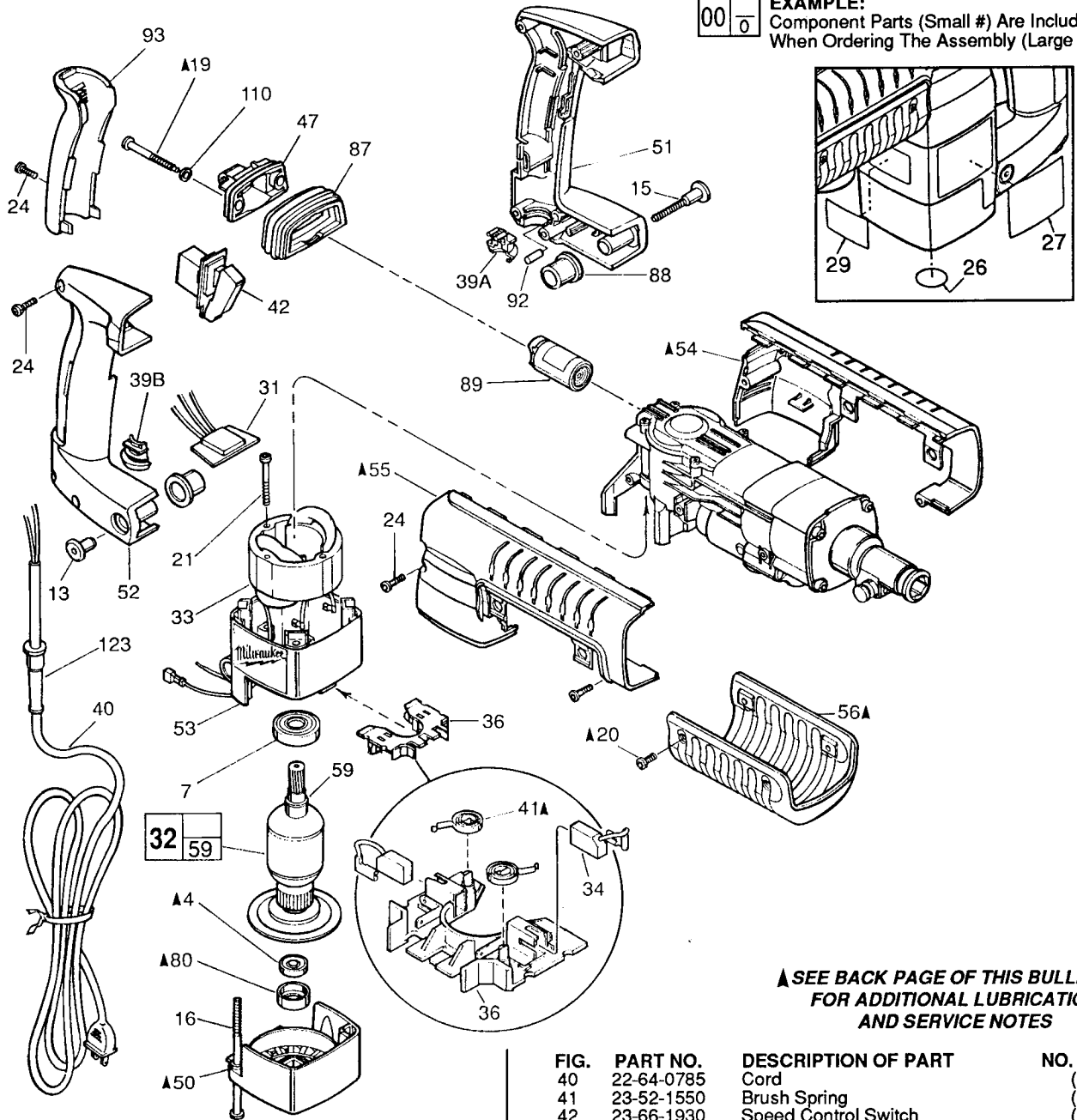




SERVICE PARTS LIST

SPECIFY CATALOG NO. AND SERIAL NO. WHEN ORDERING PARTS		REVISED BULLETIN	DATE
LIGHT CHIPPER HAMMER		54-24-0475	Dec. '96
CATALOG NO.	5334	WIRING INSTRUCTION	
STARTING SERIAL NO.	881B	58-01-1555	

EXAMPLE:
 Component Parts (Small #) Are Included
 When Ordering The Assembly (Large #).

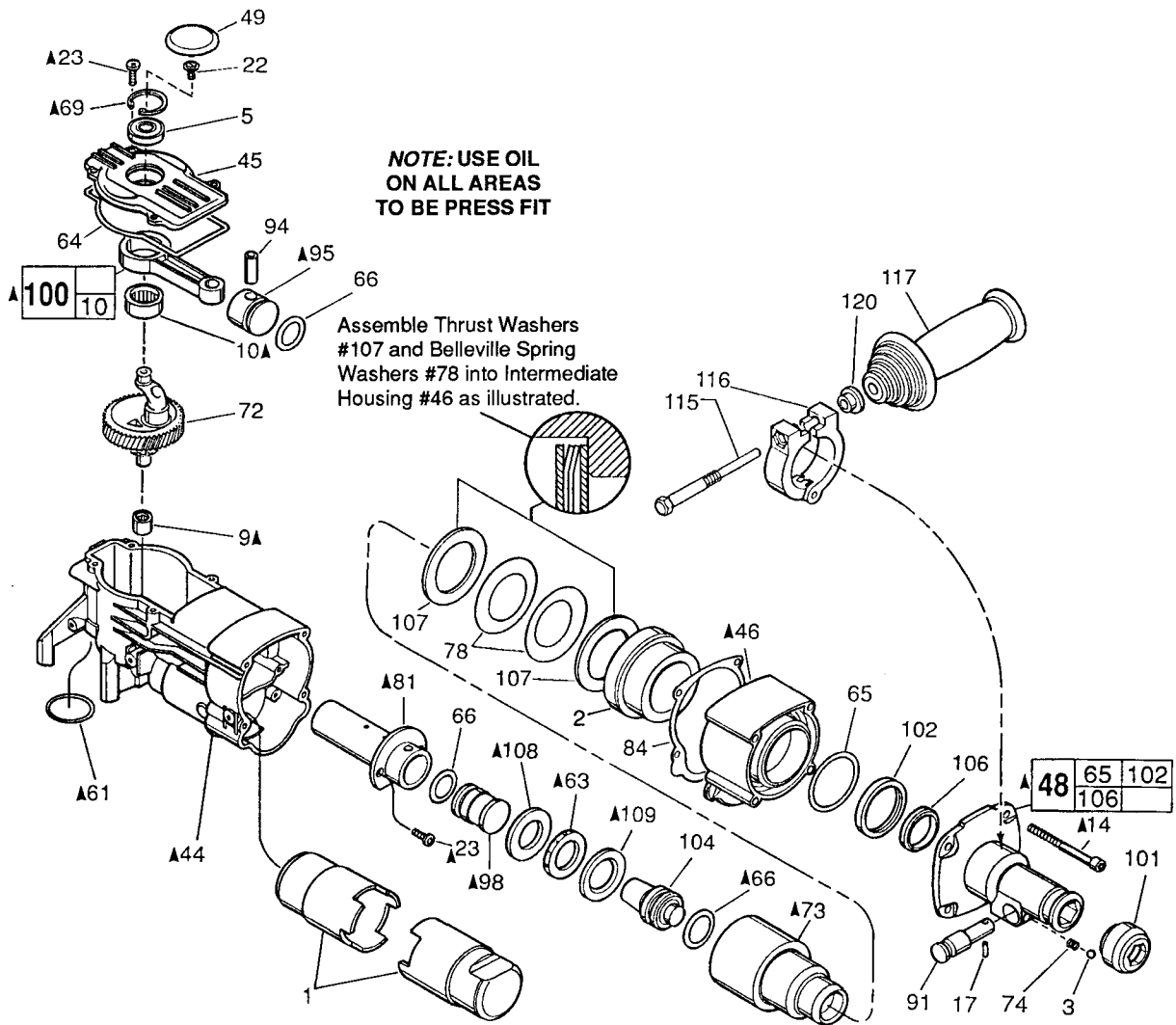


▲ SEE BACK PAGE OF THIS BULLETIN
 FOR ADDITIONAL LUBRICATION
 AND SERVICE NOTES

FIG.	PART NO.	DESCRIPTION OF PART	NO. REQ.
	4	02-04-0847 Ball Bearing	(1)
	7	02-04-1525 Ball Bearing	(1)
	13	05-59-0100 Pivot Nut	(1)
	15	05-77-0100 Pivot Bolt	(1)
	16	05-81-0920 M6 x 1.0 x 120 Pan Hd. Slit. Tapt. T-27	(4)
	19	06-81-1805 Special Screw	(2)
	20	06-82-7252 8-32 x 3/8" Pan Hd. Slit. Tapt. T-20	(4)
	21	06-82-7425 8-16 x 2" Pan Hd. Slit. Plast. T-20	(2)
	24	06-95-6290 M5 x 2.24 x 18 Pan Hd. Slit. PT T-20	(7)
	26	10-75-2760 Milwaukee Label	(1)
	27	10-98-5316 Product Label	(1)
	29	12-20-3305 Service Nameplate Kit	(1)
	31	14-20-0725 Remote Trigger Speed Control	(1)
	32	16-50-1260 120 Volt Armature	(1)
	33	18-50-0260 120 Volt Field	(1)
	34	22-18-0870 120 V Carbon Brush (2) Kit	(1)
	36	22-22-1480 Brush Carrier Assembly	(1)
	39A	31-17-0260 Lower Cord Clamp	(1)
	39B	31-17-0265 Upper Cord Clamp	(1)

FIG.	PART NO.	DESCRIPTION OF PART	NO. REQ.
	40	22-64-0785 Cord	(1)
	41	23-52-1550 Brush Spring	(2)
	42	23-66-1930 Speed Control Switch	(1)
	47	28-90-0280 Upper Handle Mount	(1)
	50	31-15-0430 Motor Cover	(1)
	★ 51	31-44-1855 Left Handle Half	(1)
	★ 52	31-44-1860 Right Handle Half	(1)
	53	31-50-0530 Motor Housing	(1)
	54	31-55-0200 Left Shroud	(1)
	55	31-55-0210 Right Shroud	(1)
	56	31-55-0225 Belly Shroud	(1)
	59	34-60-3620 Retaining Ring	(1)
	80	42-96-0130 Bearing Cup	(1)
	87	43-87-0030 Isolation Bellows	(1)
	88	43-87-0040 Pivot Isolator	(2)
	89	43-87-0060 Isolation Module Assembly	(1)
	92	14-46-1001 Foam Slug Kit (Bag of 10)	(1)
	93	44-52-0580 Handle Cushion	(1)
	110	45-88-8555 Rubber Washer	(2)
	123	44-76-0210 Cord Protector	(1)

MILWAUKEE ELECTRIC TOOL CORPORATION
 13135 W. LISBON RD., BROOKFIELD, WI 53005



FASTENER TORQUE SPECIFICATIONS (IN./LBS.)

FIG. NO.	SEATING TORQUE		
	MINIMUM	MAXIMUM	
14	120	140	
15	20	25	
16	30	35	
19	30	35	
20	25	30	
21	20	25	
22	25	30	
23	BARREL	30	35
23	CRANKCASE COVER	25	30
24	HANDLE HALVES AND SHROUDS	20	25
24	CUSHION GRIP	10	15
25		35	45

22-18-0870 CARBON BRUSH SERVICE KIT

THIS KIT CONTAINS:

- 2 ----- Carbon Brush

14-46-9070 1-1/2" HAMMER SERVICE KIT

THIS KIT CONTAINS:

- 1 31-12-0270 Cap-Cover
- 1 34-40-4310 Rubber Damping Washer
- 1 34-40-4320 Seal-Cover
- 1 34-40-4330 O-Ring
- 3 34-40-4350 O-Ring
- 1 42-96-0130 Bearing Cup
- 1 43-44-0970 Gasket
- 1 45-06-0540 Dust Seal-Hex
- 1 49-08-4230 5 Oz. Tube "N" Grease

SEE BACK PAGE OF THIS BULLETIN FOR ADDITIONAL LUBRICATION AND SERVICE NOTES

FIG.	PART NO.	DESCRIPTION OF PART	NO. REQ.
1	31-01-0030	Grease Displacer	(2)
2	45-60-0615	Spindle Support	(1)
3	02-02-0250	1/4" Steel Ball	(1)
5	02-04-0911	Ball Bearing	(1)
9	02-50-2470	Needle Bearing	(1)
10	02-50-4020	Needle Bearing	(1)
14	05-74-0670	M6 x 1.0 x 70 Skt. Hd. Cap Screw T-27	(4)
17	06-65-0828	Groove Pin	(1)
22	06-82-8842	8-32 x 3/8" Pan Hd. Slt. Taptite T-20	(1)
23	06-95-6280	M4 x 0.7 x 14 Pan Hd. Slt. Taptite T-20	(6)
44	28-14-2255	Crankcase	(1)
45	28-20-1325	Crankcase Cover	(1)
46	28-50-6445	Intermediate Housing	(1)
48	14-52-0020	Nose Assembly	(1)
49	31-12-0270	Cap-Cover	(1)
61	34-40-1375	O-Ring	(1)
63	34-40-4310	Rubber Damping Washer	(1)
64	34-40-4320	Seal-Cover	(1)
65	34-40-4330	O-Ring	(1)
66	34-40-4350	O-Ring	(3)
69	34-80-5090	Retaining Ring-Beveled	(1)
72	14-09-0150	Crankshaft Assembly	(1)
73	38-50-6060	Spindle	(1)
74	40-50-8420	Bit Lock Spring	(1)
78	40-50-8590	Belleville Spring	(2)
81	42-98-0240	Barrel	(1)
84	43-44-0970	Gasket	(1)
91	44-20-0222	Bit Lock	(1)
94	44-60-1400	Wrist Pin	(1)
95	44-62-0210	Piston	(1)
98	44-82-0170	Ram	(1)
100	44-94-0395	Connecting Rod Assembly	(1)
101	49-62-0095	Dust Seal-Hex (5/pkg.)	(1)
102	45-06-0560	Oil Seal	(1)
104	45-56-2610	Striker	(1)
106	45-88-5176	Felt Seal	(1)
107	45-88-8520	Thrust Washer	(2)
108	45-88-8530	Barrel Thrust Washer	(1)
109	45-88-8535	Striker Cushion Washer	(1)
115	06-14-0030	Hex Head Cap Screw-Special	(1)
116	14-34-0540	Handle Ring Assembly	(1)
117	14-34-0510	Side Handle Assembly	(1)
120	45-36-1570	Spacer	(1)

61-10-0670 Nose Service Tool

NOTE: Check the clutch torque. Clutch must slip at 30 to 40 ft.-lbs. at the spindle, checked clockwise as viewed from the front of the tool.

SEE BACK PAGE OF THIS BULLETIN FOR ADDITIONAL LUBRICATION AND SERVICE NOTES

LUBRICATION NOTES: (TYPE "N" GREASE, NO. 49-08-4230)

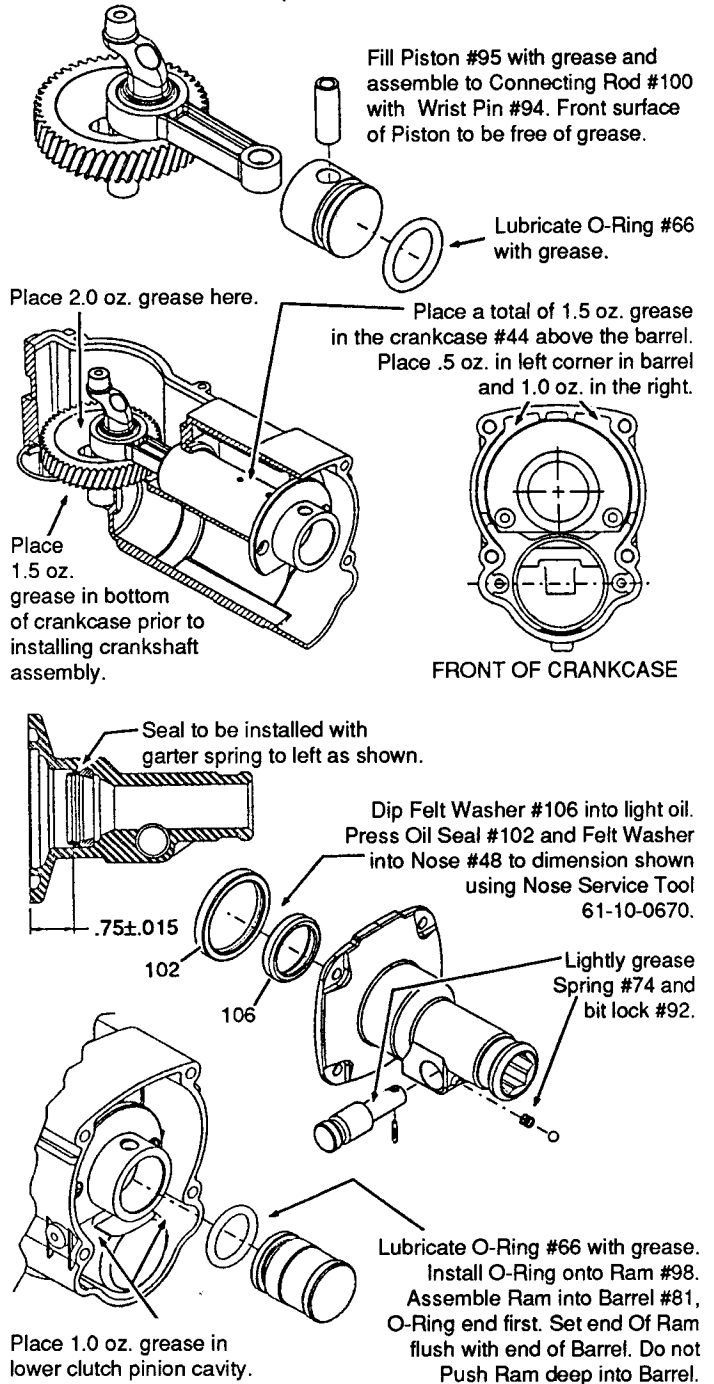
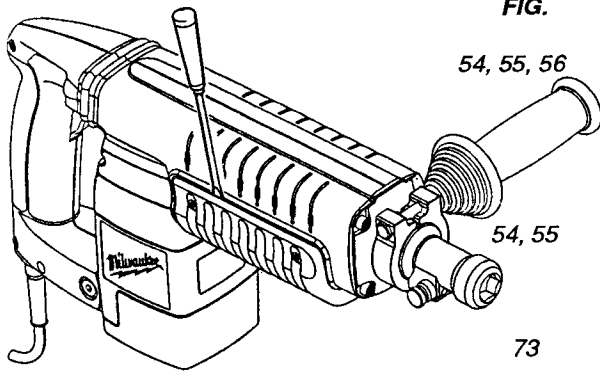


FIG. ▲ NOTES



54, 55, 56

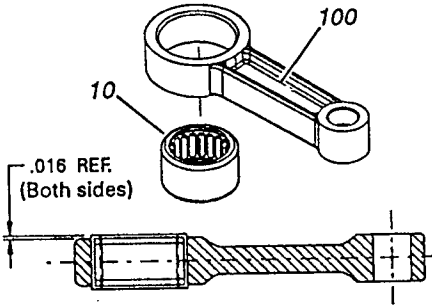
TO REMOVE BELLY SHROUD #56 FROM TOOL, INSERT SMALL SCREW DRIVER INTO GROOVE BETWEEN BELLY AND SIDE SHROUDS #54 AND #55, ABOUT 1/3 OF THE WAY FROM THE MOTOR END, AS SHOWN. PRY OUT AND DOWN ON BOTH SIDES OF THE TOOL.

54, 55

TO INSTALL THE SIDE SHROUDS #54 AND #55, THE TOP HINGE OF THE SHROUDS MUST BE COMPLETELY INTERLOCKED, THEN THE BACK SIDE ROTATED CLOSED AROUND THE TOOL.

73

LUBRICATE ALL BORES IN SPINDLE #73 WITH A MEDIUM COATING OF GREASE.



63, 108, 109

LUBRICATE RUBBER DAMPING WASHER #63, BARREL THRUST WASHER #108 AND STRIKER CUSHION WASHER #109 WITH A MEDIUM COATING OF GREASE BEFORE ASSEMBLY.

10, 100

PRESS NEEDLE BEARING #10 IN ROD #100 SO THAT THE SAME AMOUNT STICKS OUT ON BOTH SIDES OF THE ROD, AS SHOWN.

9, 44

PRESS NEEDLE BEARING #9 INTO CRANKCASE #44, FLUSH WITH TOP OF BORE, AS SHOWN.

81

LIGHTLY GREASE INSIDE OF BARREL #81 BEFORE ASSEMBLY.

48, 73

SMALL OUTSIDE DIAMETER OF SPINDLE #73 IS TO BE LUBRICATED WITH A LIGHT COAT OF GREASE BEFORE ASSEMBLING THE NOSE ASSEMBLY #48 TO THE TOOL.

48, 73, 102

NOSE ASSEMBLY #48 MUST BE PLACED SQUARELY OVER SPINDLE #73, WHEN ASSEMBLING, TO PREVENT DAMAGE TO OIL SEAL #102.

14, 19, 20, 23

FASTENERS #14, #19, #20 AND #23 ARE TO BE RE-ASSEMBLED USING BLUE LOCTITE.

48, 102

LUBRICATE BORE IN NOSE ASSEMBLY #48 BEFORE PRESSING OIL SEAL #102 INTO PLACE.

61, 66

LUBRICATE O-RINGS #61 AND #66 WITH GREASE.

69

INSTALL BEVEL SNAP RING #69 WITH BEVEL SIDE UP.

4, 50, 80

PLACE BEARING CUP #80 ON SMALL ARMATURE BEARING #4 BEFORE INSTALLING MOTOR COVER #50.

41

BRUSH SPRINGS #41 ARE TO BE WOUND 1/2 TURN TO ENGAGE BRUSHES.

4

RUBBER SEAL SIDE OF BALL BEARING #4 TO FACE FAN.

95, 98

FACES OF PISTON #95 AND RAM #98 ARE TO BE FREE OF GREASE.

