



SERVICE PARTS LIST

BUL. 54-24-3601

ROTARY HAMMER

REVISED BUL. 54-24-3600 DATE Jan' 79

Catalog No. 5325

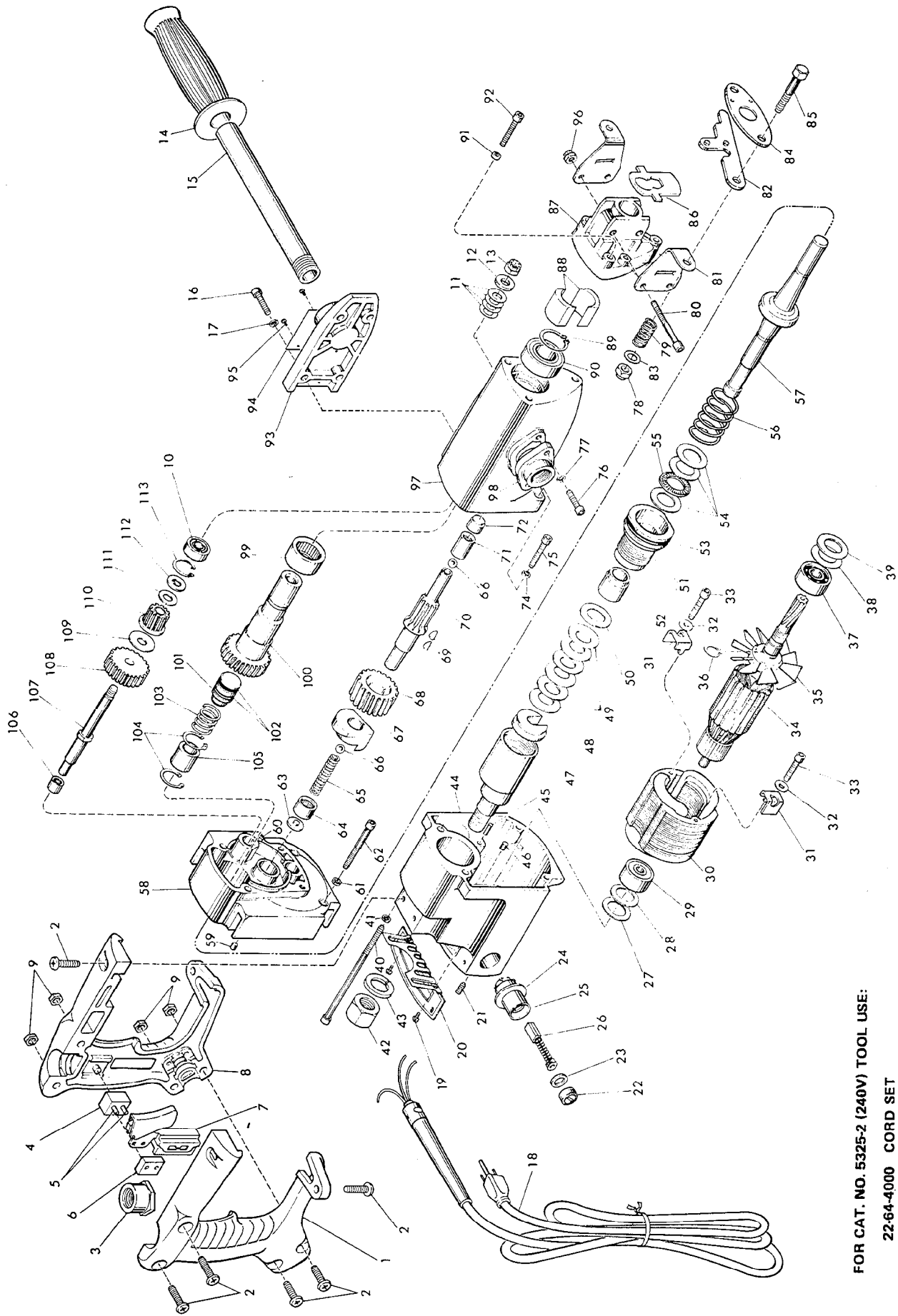
Starting Serial No. 551-4000

WIRING INSTRUCTIONS 58-01-0511

Specify Catalog and Serial No. when ordering parts

10 AMPS

FIG.	PART NO.	DESCRIPTION OF PART	NO. REQ.	FIG.	PART NO.	DESCRIPTION OF PART	NO. REQ.
1	31-44-0460	Right Handle Half	(1)	58	28-28-1401	Diaphragm (Incl. Fig. Nos. 59 & 60)	(1)
2	06-81-4230	1/4-20x7/8 Pan Hd. Mach. Screw	(8)	59	45-30-0110	Ball Bearing Retaining Slug	(1)
3	43-84-0440	Pipe Handle Insert	(1)	60	06-65-0630	3/16x1/2 Drivlok Pin	(1)
4	44-52-0150	Switch Mounting Pad	(1)	61	06-97-4050	1/4 Lock Washer	(2)
5	06-65-1570	Roll Pin	(2)	62	06-75-3350	1/4-20x2 Skt. Hd. Screw	(2)
6	44-52-0160	Switch Mounting Pad	(1)	★ 63	43-06-0110	Disc	(1)
7	23-66-0506	Switch	(1)	★ 64	02-50-4020	Needle Bearing	(1)
8	31-44-0470	Left Handle Half	(1)	★ 65	40-50-6401	Cam Shaft Spring	(1)
9	06-55-1525	1/4-20 Hex Nut	(4)	★ 66	02-02-0340	11/32 Steel Ball	(2)
10	02-04-1015	Ball Bearing	(1)	67	42-50-0071	Cam	(1)
11	40-50-6200	Clutch Disc Spring	(4)	68	32-42-1310	First Intermediate Gear	(1)
12	45-88-5255	Flat Washer	(1)	69	06-42-1200	Woodruff Key	(2)
13	06-57-5200	3/8-24 L. H. Lock Nut	(1)	★ 70	36-10-0701	Cam Shaft	(1)
14	43-62-0245	Handle Grip	(1)	★ 71	02-50-3230	Needle Bearing	(1)
15	43-62-0230	Pipe Handle	(1)	★ 72	45-60-0440	Bearing Support	(1)
16	06-75-3050	1/4-20x3/4 Skt. Hd. Screw	(4)	★ 73	10-98-5985	Caution Label (Not Shown)	(1)
17	06-97-4050	1/4 Lock Washer	(4)	74	06-97-4050	1/4 Lock Washer	(2)
18	22-64-0080	Cord Set	(1)	75	06-75-3175	1/4-20x1-1/8 Skt. Hd. Screw	(2)
19	06-81-8650	6-32x1/4 Rd. Hd. Sem	(4)	76	06-75-3050	1/4-20x3/4 Skt. Hd. Screw	(2)
★ 20	44-66-5340	Cover Plate	(1)	77	06-97-4050	1/4 Lock Washer	(2)
21	06-83-2670	1/4-20x1/2 Knrl. Set Screw	(2)	78	06-57-5150	3/8-16 Lock Nut	(2)
22	23-44-0100	Brush Retaining Screw	(2)	79	40-50-6402	Tool Retaining Spring	(2)
23	43-44-0180	Brush Cap Gasket	(2)	80	06-75-3350	1/4-20x2 Skt. Hd. Screw	(2)
24	23-86-0075	Insulating Washer	(2)	81	42-36-0750	Tool Retainer Bracket	(2)
★ 25	22-22-1210	Brush Holder Assembly	(2)	82	44-86-0260	Tool Retainer	(1)
26	22-18-0330	Carbon Brush Assembly	(2)	83	45-88-0601	Washer	(2)
27	45-88-0490	Commutator End Washer (Neoprene)	(1)	84	44-66-0531	Tool Retainer Plate	(1)
28	45-88-5402	Flat Washer (Steel)	(1)	85	06-75-0600	3/8-16x1-3/4 Hex. Hd. Screw	(2)
29	02-04-0970	Ball Bearing	(1)	86	44-66-0590	Adapter Plate	(1)
★ 30	18-62-1105	120 Volt Field	(1)	87	30-16-6060	Nose Cap	(1)
31	42-68-0360	Field Mounting Clamp	(2)	88	45-06-0201	Felt Spindle Seal (Two Halves)	(1)
32	45-88-5220	Flat Washer	(2)	89	34-60-1875	Retaining Ring	(1)
33	06-75-3175	1/4-20x1-1/8 Skt. Hd. Screw	(2)	90	02-04-2535	Ball Bearing	(1)
★ 34	16-62-1135	120 Volt Armature (Include Fig. Nos. 35 & 36)	(1)	91	06-97-4050	1/4 Lock Washer	(3)
35	22-84-0360	L. H. Fan Assembly	(1)	92	06-75-3275	1/4-20x1-5/8 Skt. Hd. Screw	(3)
36	34-60-1400	Snap Ring	(1)	93	28-20-1103	Gear Case Cover (Includes Fig. Nos. 94 & 95)	(1)
37	02-04-1640	Ball Bearing	(1)	94	12-98-6515	Instruction Plate	(1)
38	45-88-5405	Flat Washer (Steel)	(1)	95	06-81-8200	4-36x3/16 Rd. Hd. Sem	(2)
39	45-88-0500	Pinion End Washer (Neoprene)	(1)	96	06-57-5000	1/4-20 Lock Nut	(2)
40	06-75-3620	1/4-20x4-1/2 Skt. Hd. Screw	(2)	★ 97	28-14-1171	Gear Case	(1)
41	06-97-4050	1/4 Lock Washer	(2)	98	28-02-0321	Side Handle Adapter	(1)
42	06-55-3700	3/4-16 Hex Nut	(1)	99	02-50-7810	Needle Bearing	(1)
43	06-97-4350	13/16 Lock Washer	(1)	100	32-75-2780	Spindle Gear	(1)
44	28-50-6075	Motor Housing (Includes Fig. Nos. 45 & 46)	(1)	101	45-06-0121	Spindle Seal	(1)
45	06-65-0630	3/16x1/2 Drivlok Pin	(1)	102	34-40-1120	O-Ring	(2)
46	45-30-0110	Ball Bearing Retaining Slug	(1)	103	40-50-6403	Spindle Seal Spring	(1)
47	45-58-0180	Spring Housing Stud	(1)	104	34-80-1000	Retaining Ring	(2)
48	44-86-0151	Ram Retainer	(1)	105	42-40-0370	Spindle Gear Bushing	(1)
49	40-50-6100	Ram Disc Spring	(6)	106	02-50-2423	Needle Bearing	(1)
50	45-88-5415	Flat Washer	(1)	107	36-14-0051	Clutch Shaft	(1)
51	43-76-0202	Spring Housing Assembly (Includes Fig. No. 52)	(1)	108	32-44-1301	Intermediate Gear	(1)
52	42-40-0272	Bushing	(1)	109	45-88-0470	Clutch Washer	(1)
53	34-40-2200	O-Ring	(1)	110	32-60-1030	Pinion Gear	(1)
54	45-88-5417	Flat Washer	(3)	111	45-88-0480	Clutch Washer	(1)
55	02-80-1700	Thrust Bearing	(1)	112	45-88-5250	Flat Keyed Washer	(1)
56	40-50-6000	Ram Spring	(1)	113	34-80-1510	Retaining Ring	(1)
57	44-82-0061	Ram	(1)	114	45-96-0080	Clutch Adjusting Wrench (Not Shown)	(1)
				115	06-81-8625	6-32x1/4 Ground Screw (Not Shown)	(1)
				116	49-96-0085	3/16 Socket Wrench (Not Shown)	(1)
				★ 117	12-99-0011	Nameplate Blank (not shown)	(1)
				★ 118	06-85-0200	Nameplate Screw (not shown)	(2)



FOR CAT. NO. 5325-2 (240V) TOOL USE:

- 22-64-4000 CORD SET
- 18-66-1105 FIELD
- 16-66-1135 ARMATURE