



SERVICE PARTS LIST

BULLETIN NO.
54-24-0250

SPECIFY CATALOG NO. AND SERIAL NO. WHEN ORDERING PARTS		REVISED BULLETIN	DATE
1/2" CORDLESS ROTARY HAMMER			DEC. '86
CATALOG NO. 5302-1	DATE CODE 861028	WIRING INSTRUCTION SEE REVERSE SIDE	

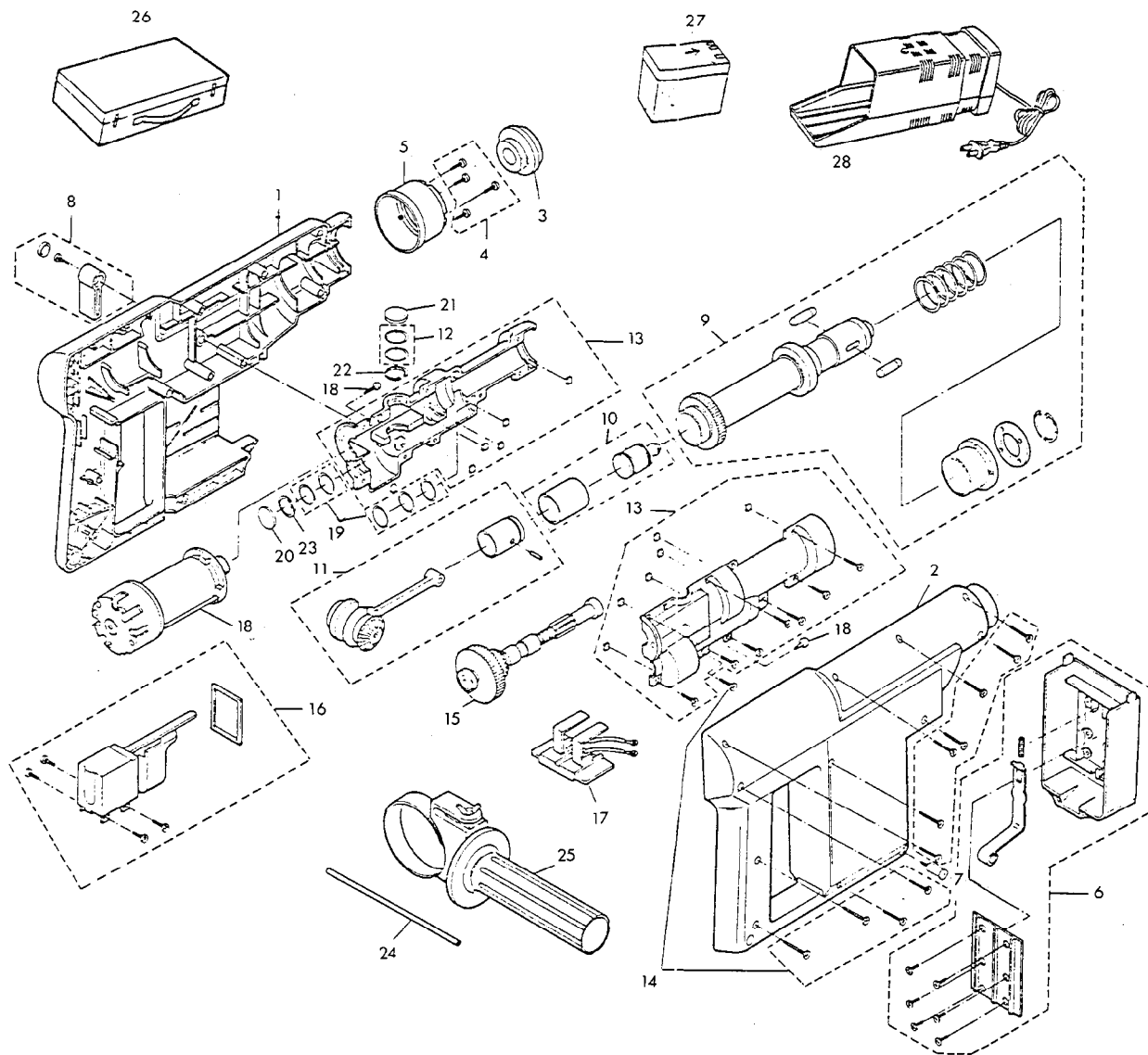
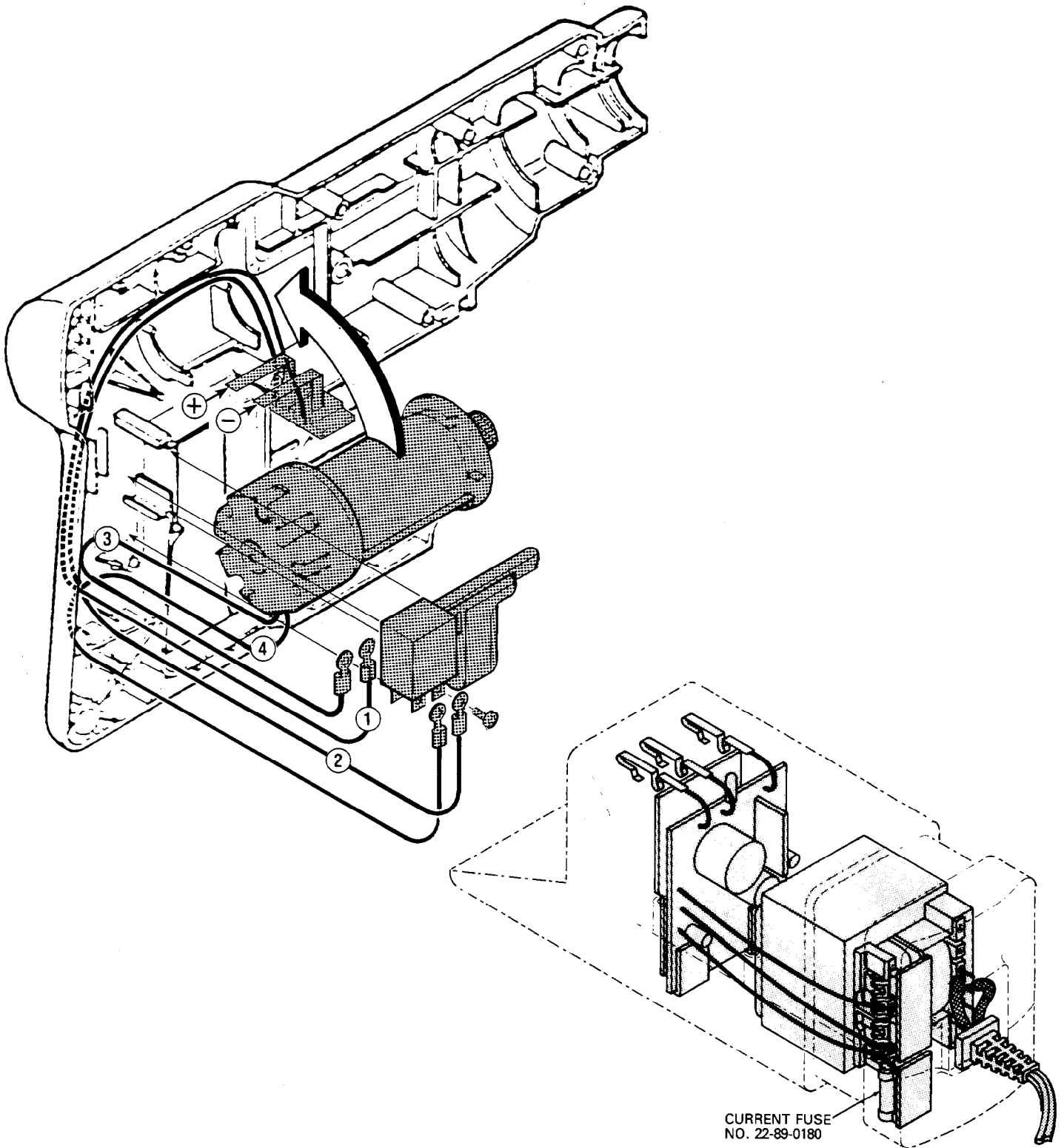


FIG.	PART NO.	DESCRIPTION OF PART	NO. REQ.	FIG.	PART NO.	DESCRIPTION OF PART	NO. REQ.
1	31-50-0630	Left Housing	(1)	15	14-73-0240	Intermediate Shaft Assembly	(1)
2	31-50-0640	Right Housing	(1)	16	23-66-1650	Switch	(1)
3	42-76-0650	Dustproof Rubber Collar	(1)	17	22-56-0580	Battery Terminal Assembly	(1)
4	05-83-0440	Chuck Cover Screw	(4)	18	14-50-0470	Motor Assembly	(1)
5	42-92-0730	Chuck Cover	(1)	19	45-36-1400	Spacer Set	(3)
6	14-06-0110	Battery Box Assembly	(1)	20	42-52-0730	Dustproof Cap (Small)	(1)
7	05-83-0460	Battery Lock Cover Screw	(1)	21	42-52-0740	Dustproof Cap (Large)	(1)
8	44-10-0240	Change Handle Assembly	(1)	22	05-92-0020	Ring (Large) 22MM Dia.	(1)
9	14-73-0230	Output Shaft Assembly	(1)	23	05-92-0010	Ring (Small) 19MM Dia.	(1)
10	42-28-0280	Hammer Block	(1)	24	44-94-0360	Depth Gage Rod	(1)
11	14-09-0120	Piston & Crank Assembly	(1)	25	43-62-0990	Side Handle Assembly	(1)
12	45-36-1390	Spacer	(2)	26	48-55-0745	Steel Case	(1)
13	14-30-0680	Gear Case Assembly	(2)	27	48-11-0110	Battery Pack	(1)
14	05-78-0200	Housing Screw	(12)	28	48-59-0190	Battery Charger	(1)

MILWAUKEE ELECTRIC TOOL CORPORATION
13135 W. LISBON RD., BROOKFIELD, WIS. 53005



WIRING SPECIFICATIONS

Wire No.	Wire Color	Origin or Gauge	Length	Terminals, Connectors and 1 or 2 End Wire Preparation.
1	L. Grey	Term. Ass.	—	—
2	White	Term. Ass.	—	—
3	D. Grey	Motor	—	—
4	White	Motor	—	—