



SERVICE PARTS LIST

BUL. 54-22-9025

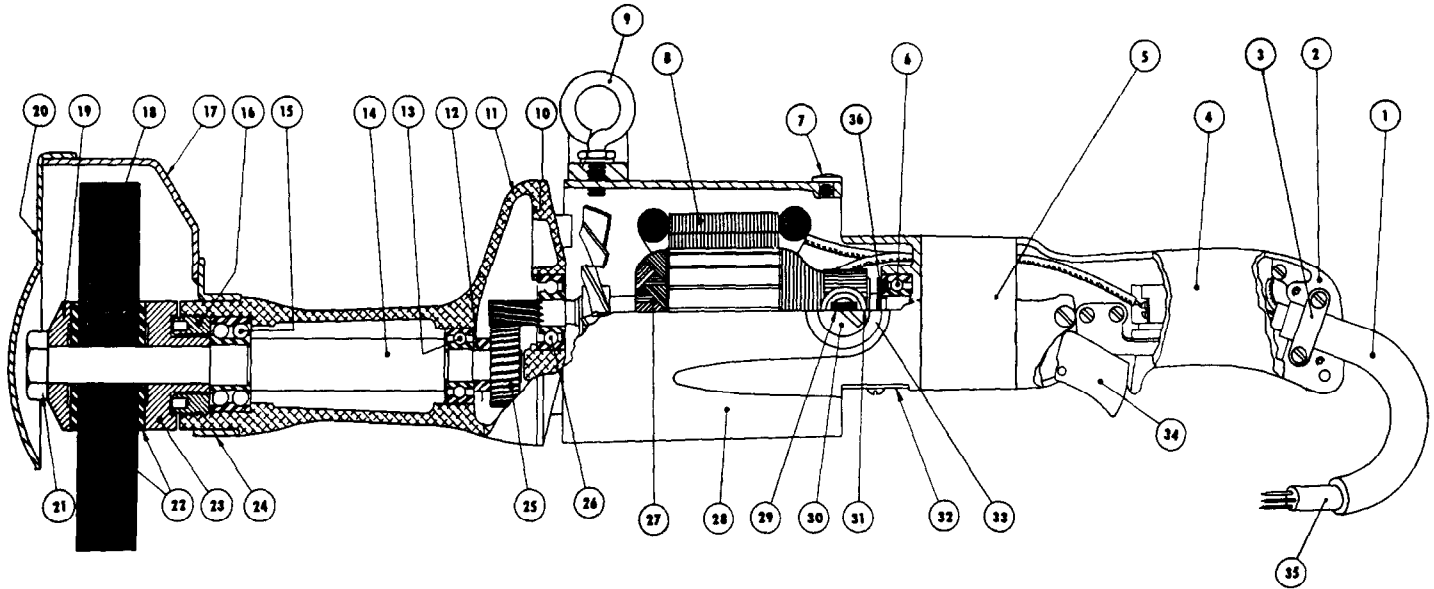
6" GRINDER

REVISED BUL 6155-6 DATE FEB. '68
WIRING INSTR.

Catalog No. 5240-8

Starting Serial No. 155-3405

Both Model and Serial No. must be furnished to obtain correct parts.



ILLUSTRATED PARTS

FIG.	PART NO.	DESCRIPTION OF PART	FIG.	PART NO.	DESCRIPTION OF PART
2	28-44-1041	Handle (Switch Mounting Side)	20	See Fig. 17	Sold only as an Assembly
3	28-17-0200	Cord Clamp Strap	21	06-55-3250	5/8-11 Thr'd Spindle Nut
4	28-44-9081	Handle (Switch Cover Side)	22	45-88-0260	Rubber Flange Washer
5	23-62-0100	Suppression System Assembly	23	43-34-0070	Inner Wheel Flange
6	02-04-1070	Ball Bearing (Comm. End)	24	See Fig. 17	Sold only as an Assembly
7	06-77-1400	Drive Screw Tool Rest Button	25	32-75-2281	Spindle Gear
8	18-82-1170	Field Assembly	26	02-04-1140	Ball Bearing (Pinion End)
10	28-28-1021	Diaphragm	27	16-82-1460	Armature Assembly
11	28-50-7601	Spindle Housing	28	14-38-0260	Eyebolt, Tool Rest, Motor Housing Assy.
12	45-36-0220	Spindle Gear Spacer	29	22-18-0260	Carbon Brush Assembly (2)
13	02-04-1520	Ball Bearing (Inner)	30	23-44-0065	Brush Ret. Cap Assembly (2)
14	38-50-3901	Spindle	31	22-22-0130	Brush Holder Assembly (2)
15	02-20-1720	Ball Bearing (Outer)	32	44-66-0100	Commutator Cover Plate
16	44-40-0180	Bearing Lock Nut	33	22-24-0100	Brush Holder Bushing (2)
17	43-54-0120	6" Guard Assembly	34	23-66-0250	Switch Assembly
18		6x1x5/8 Hole Grinding Wheel (Specify Grit)	35	22-64-0160	Cord Set
19	43-34-0060	Outer Wheel Flange	36	43-06-0070	Grounding Disc

MISCELLANEOUS PARTS NOT SHOWN

PART NO.	DESCRIPTION OF PART	PART NO.	DESCRIPTION OF PART
48-03-0010	Adapter Plug	06-83-2650	1/4-20x3/8 Hd'less Brush Holder Set Scs. (2)
12-30-3700	Name Plate	06-81-8950	No. 8-32x2-1/4 Rd. Hd. Field Screws (2)
23-86-0130	Insulating Washer (2)	06-81-8625	No. 6-32x1/4 Rd. Hd. Ground Wire Sc.(Brass)
06-81-6100	No. 8-32x7/16 Fil.Hd. Cord Clamp Strap Scs. (2)	06-81-5400	8-32x5/16 Binder Hd. Switch Mounting Scs. (2)
06-81-7150	No. 10-24x1-3/8 Fil.Hd. Spindle Housing Scs. (4)	06-81-8200	No. 4-36 Rd. Hd. Name Plate Screws (2)
06-81-3750	No. 8-32x1 Oval Hd. Handle Cover Screw	06-97-3400	No. 10 Kantlink Lock Washer
06-81-3700	No. 8-32x7/8 Oval Hd. Handle Cover Screw (2)	06-81-8650	No. 6-32x1/4 Rd. Hd. Comm. Cover Plate Scs. (2)
06-81-1625	No. 12-24x2-1/4 Fil.Hd. Switch Handle Scs. (4)	06-81-6950	No. 10-24x1/2 Fil.Hd. Tool Rest Screws (2)