



SERVICE PARTS LIST

BUL. 54-22-9022

6" GRINDER

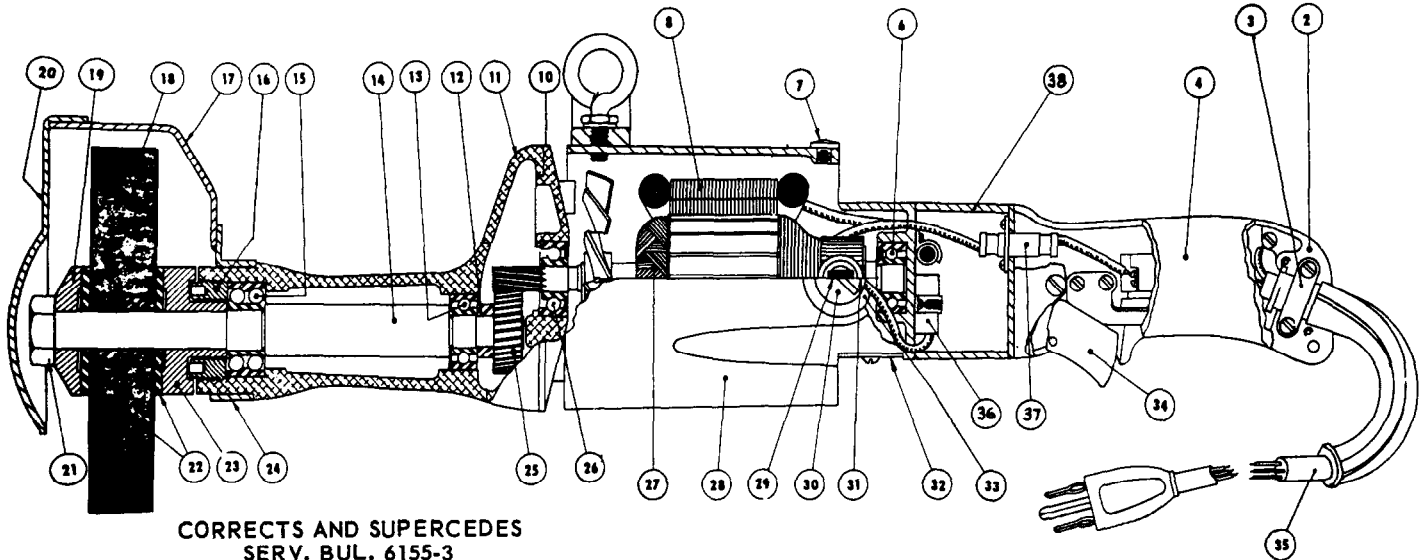
REVISED BUL. 6155-3 DATE FEB. '68

Catalog No. 5240-8

Starting Serial No. 155-2375

WIRING INSTR.

Both Model and Serial No. must be furnished to obtain correct parts.



CORRECTS AND SUPERCEDES
SERV. BUL. 6155-3
DATED 1/29/62

FIG. PART NO. DESCRIPTION OF PART		ILLUSTRATED PARTS	
FIG.	PART NO.	FIG.	PART NO. DESCRIPTION OF PART
2	28-44-1041	21	06-55-3250 5/8-11 Spindle Nut
3	28-17-0200	22	45-88-0260 Rubber Flange Washers
4	28-44-9081	23	43-34-0070 Inner Wheel Flange
6	02-04-1070	24	Sold only as an Assembly
7	06-77-1400	25	32-75-2281 Spindle Gear
8	18-82-1170	26	02-04-1140 Ball Brg. (Pinion End)
10	28-28-1021	27	16-82-1460 Armature Assembly
11	28-50-7601	28	14-38-0260 Eyebolt, Tool Rest, Motor Housing Assy.
12	45-36-0220	29	22-18-0260 Carbon Brush Assemblies (per set 2)
13	02-04-1520	30	23-44-0065 Brush Ret. Cap Assy. (per set 2)
14	38-50-3901	31	22-22-0130 Brush Holder Assembly (2)
15	02-20-1720	32	44-66-0100 Commutator Cover Plate
16	44-40-0180	33	22-24-0100 Brush Holder Bushing Steel (2)
17	43-54-0120	34	23-66-0250 Switch Assembly
18	49-92-3240	35	22-64-0160 Cord Set
19	43-34-0060	36	22-33-3550 .1 MFD Condenser (2)
20		37	22-33-6550 .02 MFD Condenser (2)
		38	28-50-8122 Radio Suppression Box

MISCELLANEOUS PARTS NOT SHOWN

PART NO.	DESCRIPTION OF PART	PART NO.	DESCRIPTION OF PART
12-30-3700	Name Plate	06-97-2400	Lockwasher (4)
23-86-0130	Insulating Washers (2)	06-81-8650	6-32x1/4 Rd. Hd. Condenser Mounting Sem (6)
06-81-6100	No. 8-32x7/16 Fil. Hd. Cord Clamp Strap Sems (2)	06-81-8625	No. 6-32x1/4 Rd. Hd. Ground Wire Scr. (Brass)
06-81-7150	No. 10-24x1-3/8 Fil. Hd. Spindle Housing Scr. (4)	06-81-5400	No. 8-32x5/16 Binder H.D. Switch Mounting Scr. (2)
06-81-3750	No. 8-32x1 Oval Hd. Handle Cover Screw	06-81-8200	No. 4-36x3/16 Rd. Hd. Name Plate Sems (2)
06-81-3700	No. 8-32x7/8 Oval Hd. Handle Cover Screw (2)	06-81-8650	No. 6-32x1/4 Rd. Hd. Comm. Cover Plate Scr. (2)
06-81-8950	No. 8-32x2-1/4 Rd. Hd. Field Screws (2)	06-81-6950	No. 10-24x1/2 Fil. Hd. Tool Rest Sem (2)
06-83-2650	1/4-20x3/8 Hd'less Brush Holder Set Scr. (2)	06-97-3200	No. 8 Kantlink Lockwasher
06-81-1625	No. 12-24x2-1/4 Fil. Hd. Switch Handle Scr. (4)	06-97-3400	No. 10 Kantlink Lockwasher
06-77-0450	4x1/4 Rd. Hd. Drive-in Screw (2)	12-98-5200	Identification Name Plate
		12-98-5100	Warning Plate