



SERVICE PARTS LIST

BUL.54-22-4105

6" GRINDER

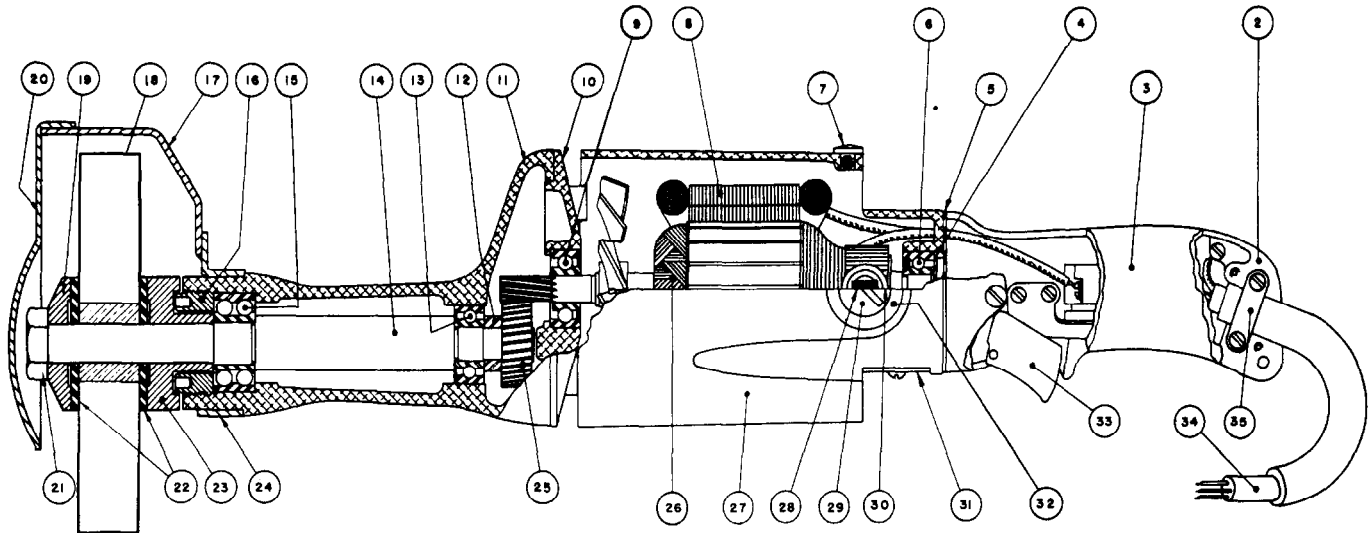
REVISED BUL 676-6 DATE April '68

Catalog No. 5240

Starting Serial No. **76-2626**

WIRING INSTR. **58-01-0310**

Both Model and Serial No. must be furnished to obtain correct parts.



230 Volt
16-86-1360 Armature
18-86-1100 Field

FIG.	PART NO.	DESCRIPTION OF PART
2	28-44-1041	Handle (Switch Mounting Side)
3	28-44-9081	Handle (Switch Cover Side)
5	43-86-0050	Handle Insulator
6	02-04-1070	Ball Bearing (Comm. End)
7	06-77-1400	Drive Screw Tool Rest Button
8	18-82-1110	Field Assembly
9	02-04-1140	Ball Bearing (Pinion End)
10	28-28-1021	Diaphragm
11	28-50-7601	Spindle Housing
12	45-36-0220	Spindle Gear Spacer
13	02-04-1520	Ball Bearing (Inner)
14	38-50-3901	Spindle
15	02-20-1720	Ball Bearing (Outer)
16	44-40-0180	Bearing Lock Nut
17	43-54-0120	6" Guard Assembly
18	49-92-3260	6" dia. x 5/8" hole Grinding Wheel (31H Grit)
18	49-92-3280	6" dia. x 5/8" hole Grinding Wheel (46 Grit)
18	49-92-3300	6" dia. x 5/8" hole Grinding Wheel (60 Grit)

ILLUSTRATED PARTS

FIG.	PART NO.	DESCRIPTION OF PART
19	43-34-0060	Outer Wheel Flange
20	See Fig. 17	Sold only as an Assembly
21	06-55-3250	5/8"-11 Thread Spindle Nut
22	45-88-0260	Rubber Flange Washers
23	43-34-0070	Inner Wheel Flange
24	See Fig. 17	Sold only as an Assembly
25	32-75-2281	Spindle Gear
26	16-82-1450	Armature Assembly
27	28-50-4562	Motor Housing (Includes item No. 32 & screws)
28	22-18-0260	Carbon Brush Assemblies (2)
29	23-44-0065	Brush Ret. Cap Assembly (2)
30	22-22-0130	Brush Holder Assembly (2)
31	44-66-0100	Commutator Cover Plate
32	22-24-0100	Brush Holder Bushing Steel (2)
33	23-66-0250	Switch Assembly
34	22-64-0090	Cord Set
35	28-17-0200	Cord Clamp Strap

MISCELLANEOUS PARTS NOT SHOWN

PART NO.	DESCRIPTION OF PART	PART NO.	DESCRIPTION OF PART	NO. REQ.
28-79-0241	Tool Rest	06-42-2000	Woodruff Key	
48-03-0010	Adapter Plug	06-83-2650	1/4" x 20 x 3/8 Hd'less Brush Holder Set Scr.	(2)
* 12-98-3500	Name Plate	06-81-8200	4-36 x 3/16 Rd. Hd. Sems Name Plate Scr.	(2)
* 23-86-0075	Insulating Washers (2)	06-81-8625	6-32 x 1/4" Rd. Hd. Sems Ground Wire Scr. (Brass)	
06-81-6150	8-32 x 1/2 Fil. Hd. Sems cord Clamp Scr. (2)	06-81-8650	6-32 x 1/4" Rd. Hd. Sems Comm. Cover Plate Scr. (2)	
06-81-7150	10-24 x 1-3/8" Fil. Hd. Spindle Housing Scs. Sems (4)	06-81-6950	10-24 x 1/2" Fil. Hd. Sem. Tool Rest Screws (2)	
06-81-3750	8-32 x 1" Oval Hd. Handle Cover Screw	06-81-5400	8-32 x 5/16" Binder Hd. Sems Switch Mtg. Scr. (2)	
06-81-3700	8-32 x 7/8" Oval Hd. Handle Cover Screw (2)	06-81-9200	10-24 x 2-1/2" Rd. Hd. Field Sems (2)	
06-81-7550	12-24 x 3/4" Fil. Hd. Sw. Handle Sems (4)	* 06-97-1800	Lock Washer (4)	

Wire wheel brushes, grinding wheels and cloth buffing wheels greatly increase the scope of your grinder's versatility. A bench base is available for mounting the grinder which offers all the advantages of a bench grinder. Make it a point to see these attachments at your MILWAUKEE Distributor or write factory direct for complete information.