

## Cordless Jigsaw - 0 601 598 360 - 52318

www.powertools-aftersaleservice.com

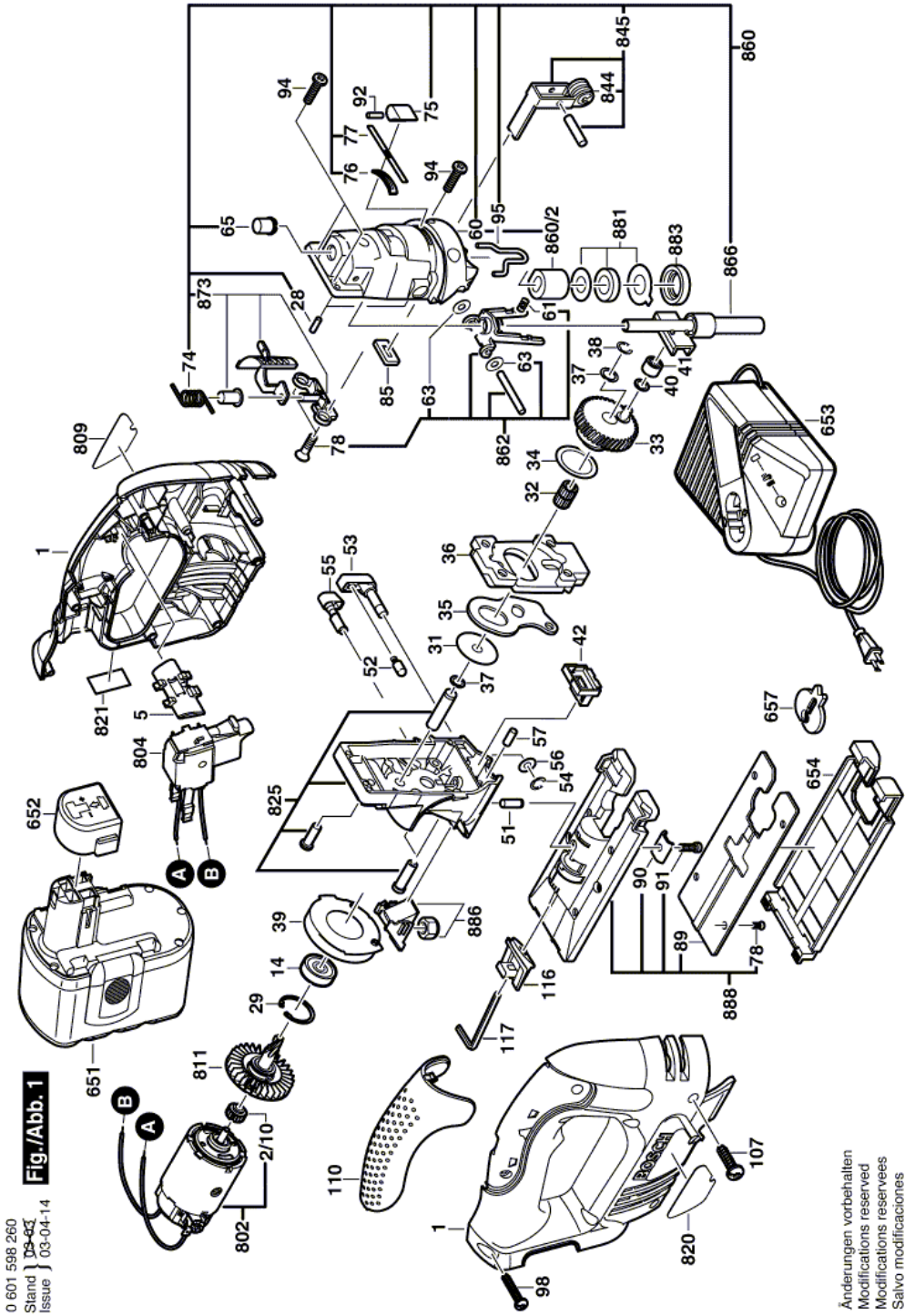


**BOSCH**

Item	Part Number	Description	Illustration	Price	Quantity	Price Group
1	2 605 105 018	Housing Section	1	-,-	1	33
2/10	2 606 490 088	Clutch Element	1	-,-	1	17
5	2 601 099 120	Locking Lever	1	-,-	1	12
14	2 600 905 095	Ball Bearing 9x24x7	1	-,-	1	24
28	1 903 201 042	Needle Roller DIN 5402-A3x11,8-G2	1	-,-	2	12
29	2 916 660 008	Spring retaining ring DIN 472-24x1,2 MM	1	-,-	1	11
31	2 600 101 048	Shim 0,5 MM	1	-,-	1	11
32	2 600 913 040	Needle-Roller Assembly	1	-,-	1	18
33	2 606 320 088	Eccentric Cog Wheel	1	-,-	1	30
34	2 600 102 614	Shim 0,5 MM	1	-,-	1	11
35	2 601 923 010	Fork Lever	1	-,-	1	16
36	2 601 098 032	Counterweight	1	-,-	1	28
37	2 600 101 047	Shim 0,3 MM	1	-,-	1	11
38	2 916 080 909	Locking Washer DIN 6799-6-FST	1	-,-	1	10
39	2 600 290 051	Air-Deflector Ring	1	-,-	1	12
40	2 600 200 038	Intermediate Ring	1	-,-	1	11
41	2 600 917 900	Needle bearing	1	-,-	1	21
42	2 602 305 050	Air Eliminator	1	-,-	1	13
51	2 603 105 053	Bearing bolt	1	-,-	1	11
52	2 600 590 006	Ratchet Cap	1	-,-	1	11
53	2 602 026 063	Rotary Knob BLACK	1	-,-	1	15
54	2 916 080 908	Locking Washer 5 DIN 6799	1	-,-	1	10
55	2 602 026 065	Rotary Knob BLACK	1	-,-	1	12
56	2 600 100 607	Shim 0,3 MM	1	-,-	1	11
57	2 603 100 069	Straight Pin 17,35+0,1 MM	1	-,-	1	11
60	2 605 808 081	Gear Cover	1	-,-	1	37
61	2 604 610 042	Compression Spring	1	-,-	1	13
63	2 600 101 095	Shim	1	-,-	1	11
65	2 601 015 064	Seal	1	-,-	1	13
74	2 604 651 011	Torsion Spring	1	-,-	1	14
75	2 600 591 010	Cap-Handle BLACK	1	-,-	1	13
76	2 601 015 065	Seal	1	-,-	1	11
77	2 601 016 079	Cover Plate	1	-,-	1	17

Item	Part Number	Description	Illustration	Price	Quantity	Price Group
78	2 603 421 014	Thread-forming tap. Screw	1	-,-	6	11
85	2 601 015 057	Sealing Plate	1	-,-	1	14
89	2 601 098 082	Work Board	1	-,-	1	21
90	2 601 030 022	Profile Beading	1	-,-	1	13
91	2 910 141 197	Hex Socket Head Cap Screw DIN 912-M6x16-8.8	1	-,-	1	10
92	2 917 760 034	Slotted Spring Pin 2x6 DIN 1481	1	-,-	1	12
94	2 603 410 049	Thread-forming tap. Screw M4x12 MM	1	-,-	4	11
95	2 603 101 046	Protecting Cover BLACK	1	-,-	1	11
98	2 603 490 018	Torx Oval-Head Screw 3x18	1	-,-	1	10
107	2 603 490 023	Torx Oval-Head Screw 4x20	1	-,-	7	10
110	2 608 040 204	Handle Cover	1	-,-	1	26
116	2 608 000 313	Key Holder	1	-,-	1	11
117	1 907 950 006	Offset Screwdriver DIN 911-SW5 BLACK	1	-,-	1	16
651	2 607 335 717	Accumulator Battery 18V,2,4Ah, HD	1	-,-	1	52
652	2 609 100 101	Protective Cap	1	-,-	1	16
653	2 607 225 033	Fast Charger USA 120/7,2-24V, 30 MIN.	1	-,-	1	46
654	2 608 000 184	Pad	1	-,-	1	17
657	2 601 016 065	Splintering Protector	1	-,-	1	17
802	2 607 022 880	DC motor 18V	1	-,-	1	45
804	2 607 200 413	On-Off Switch	1	-,-	1	38
809	2 601 116 129	Manufacturer's nameplate	1	-,-	1	15
811	2 606 445 901	Coupling Half	1	-,-	1	27
820	2 601 116 130	Warning Plate	1	-,-	1	15
821	2 601 116 171	Marking Plate	1	-,-	1	15
825	2 605 806 896	Gear Housing	1	-,-	1	39
844	2 600 326 904	Roller Set	1	-,-	1	23
845	2 601 321 904	Roller Lever	1	-,-	1	27
860	2 605 808 927	Gear Cover	1	-,-	1	48
860/2	2 600 301 037	Bushing	1	-,-	1	11
862	2 601 322 900	Guide Bracket	1	-,-	1	25
866	2 600 780 911	Lifting Rod	1	-,-	1	40
873	2 601 990 906	Holding Plate	1	-,-	1	23
881	2 600 290 902	Seal Kit	1	-,-	1	15
883	2 600 202 037	Retaining snap ring	1	-,-	1	14
886	2 605 500 911	Fan Cover	1	-,-	1	16
888	2 608 000 920	Base Plate	1	-,-	1	30

Illustration - Type E



Information subject to change without further notice.