



SERVICE PARTS LIST

BUL. 54-22-3107

5" GRINDER

REVISED BUL. 54-22-3106 DATE Sept. '73

Catalog No. 5220

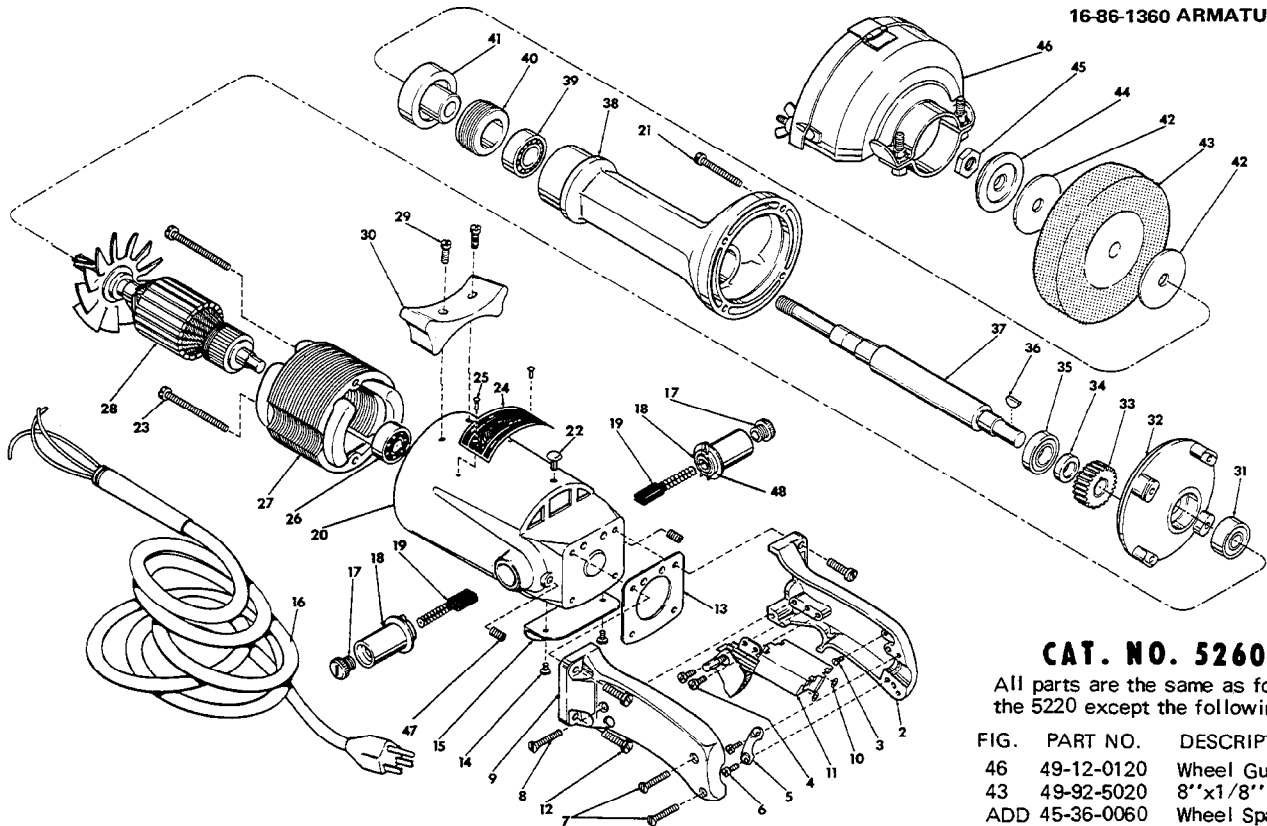
Starting Serial No. **75-6706**

WIRING INSTRUCTIONS **58-01-0310**

Specify Catalog and Serial No. when ordering parts

4000 R.P.M.

FOR 230V TOOL USE:
18-86-1100 FIELD
16-86-1360 ARMATURE



CAT. NO. 5260

All parts are the same as for the 5220 except the following:

FIG.	PART NO.	DESCRIPTION
46	49-12-0120	Wheel Guard
43	49-92-5020	8"x1/8" Wheel
ADD	45-36-0060	Wheel Spacer

FIG.	PART NO.	DESCRIPTION	NO. REQ.
1	28-44-1042	Switch Handle Assembly (Includes Fig. Nos. 2, 7, 8 and 9)	
2	-	Handle (Switch Mount Side)	(1)
3	06-81-8625	6-32x1/4 Ground Screw	(1)
4	06-81-5400	8-32x5/16 Binder Sem	(2)
5	28-17-0200	Clamp Strap	(1)
6	06-81-6150	8-32x1/2 Fil. Hd. Sem	(2)
7	06-81-3700	8-32x7/8 Oval Hd. Screw	(2)
8	06-81-3750	8-32x1 Oval Hd. Screw	(1)
9	-	Handle (Switch Cover Side)	(1)
10	06-97-1800	Lock Washer	(4)
11	23-66-0250	Switch	(1)
★12	06-81-7620	12-28x3/4 Fil. Hd. Sem	(4)
13	43-86-0050	Handle Insulator	(1)
14	06-81-8650	6-32x1/4 Rd. Hd. Sem	(2)
15	44-66-0100	Cover Plate	(1)
16	22-64-0090	Cord Set	(1)
17	23-44-0065	Brush Retaining Screw	(2)
★18	22-22-0291	Brush Holder Assy.	(2)
19	22-18-0260	Carbon Brush Assy.	(2)
★20	28-50-4564	Motor Housing	(1)
21	06-81-7150	10-24x1-3/8 Fil. Hd. Sem	(4)
22	06-77-1400	14x5/16 Driv-In Screw	(1)
23	06-81-9200	10-24x2-1/2 Rd. Hd. Sem	(2)
★24	12-99-0032	Nameplate	(1)
★25	06-85-0200	6x1/4 Rd. Hd. Type Z Screw	(2)

FIG.	PART NO.	DESCRIPTION	NO. REQ.
26	02-04-1070	Ball Bearing	(1)
27	18-82-1110	Field Assembly	(1)
28	16-82-1450	Armature Assembly	(1)
29	06-81-6950	10-24x1/2 Fil. Hd. Sem	(2)
30	28-79-0241	Tool Rest	(1)
31	02-04-1140	Ball Bearing	(1)
32	28-28-1021	Diaphragm	(1)
33	32-75-2281	Spindle Gear	(1)
★34	45-36-0221	Spindle Gear Spacer	(1)
★35	02-04-1515	Ball Bearing	(1)
36	06-42-2000	Woodruff Key	(1)
37	38-50-3901	Spindle	(1)
38	28-50-7601	Spindle Housing	(1)
39	02-20-1720	Ball Bearing	(1)
40	44-40-0180	Lock Nut	(1)
41	43-34-0070	Inner Wheel Flange	(1)
42	45-88-0260	Rubber Washer	(2)
43	-	Grinding Wheel (select from catalog)	(1)
44	43-34-0060	Outer Wheel Flange	(1)
45	06-55-3250	5/8-11 Hex Nut	(1)
★46	49-12-0140	Wheel Guard Assy.	(1)
47	06-83-2725	1/4-28x3/8 Hds. Set Screw	(2)
★48	23-86-0060	Washer	(2)