



SERVICE PARTS LIST

BUL. 54-22-3104

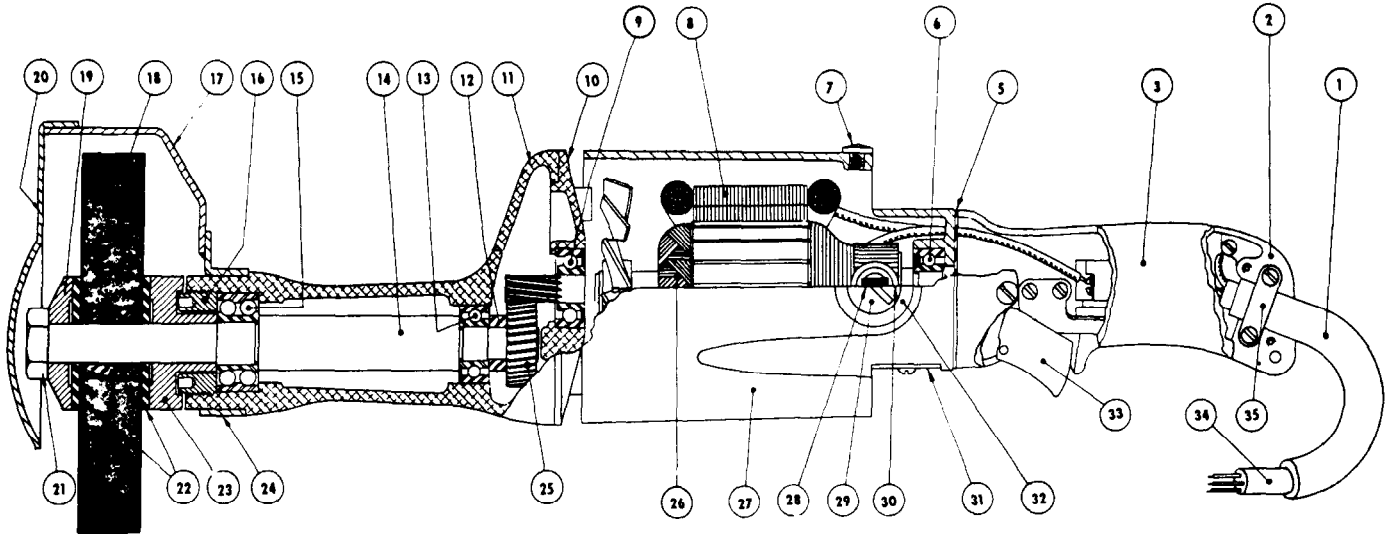
5" GRINDER

REVISED BUL. 675-5 DATE FEB. '68
WIRING INSTR.

Catalog No. 5220

Starting Serial No. **75-1300**

Both Model and Serial No. must be furnished to obtain correct parts.



**CORRECTS AND SUPERCEDES
SERVICE BULLETIN 675-5
DATED 7/20/58**

ILLUSTRATED PARTS

FIG.	PART NO.	DESCRIPTION OF PART
2	28-44-1041	Handle (Switch Mounting Side)
3	28-44-9081	Handle (Switch Cover Side)
5	43-86-0050	Handle Insulator
6	02-04-1070	Ball Bearing (Comm. End)
7	06-77-1400	Drive Screw Tool Rest Button
8	18-82-1110	Field Assembly
9	02-04-1140	Ball Bearing (Pinion End)
10	28-28-1021	Diaphragm
11	28-50-7601	Spindle Housing
12	45-36-0220	Spindle Gear Spacer
13	02-04-1520	Ball Bearing (Inner)
14	38-50-3901	Spindle
15	02-20-1720	Ball Bearing (Outer)
16	44-40-0180	Bearing Lock Nut
17	43-54-0110	5" Guard Assembly
18	49-92-2240	31H Grit Grinding Wheel
	49-92-2260	46 Grit Grinding Wheel
	49-92-2280	60 Grit Grinding Wheel

FIG.	PART NO.	DESCRIPTION OF PART
19	43-34-0060	Outer Wheel Flange
20	See Fig. 17	Sold only as an Assembly
21	06-55-3250	5/8-11 Thread Spindle Nut
22	45-88-0260	Rubber Flange Washers (2)
23	43-34-0070	Inner Wheel Flange
24	See Fig. 17	Sold only as an Assembly
25	32-75-2281	Spindle Gear
26	16-82-1450	Armature Assembly
27	28-50-4562	Motor Housing
28	22-18-0080	Carbon Brush Assemblies (per set 2)
29	23-44-0065	Brush Ret. Cap Assembly (per set 2)
30	22-22-0055	Brush Holder Assembly (2)
31	44-66-0100	Commutator Cover Plate
32	22-24-0100	Brush Holder Bushing Steel (2)
33	23-66-0250	Switch Assembly
34	22-64-0090	Cord Set
35	28-17-0200	Cord Clamp Strap

MISCELLANEOUS PARTS NOT SHOWN

PART NO.	DESCRIPTION OF PART
28-79-0241	Tool Rest
48-03-0010	Adaptor Plug
12-98-2900	Name Plate
23-86-0075	Insulating Washers (2)
06-81-6100	8-32x7/16" Fil. Hd. Sems Cord Clamp Strap Scs. (2)
06-81-7150	10-24x1-3/8" Fil. Hd. Spindle Hsg. Scs. Sems (4)
06-81-3750	8-32x1" Oval Hd. Handle Cover Screw
06-81-3700	8-32x7/8" Oval Hd. Handle Cover Screws (2)
06-81-3650	8-32x3/4" Oval Hd. Switch Handle Screws (4)

PART NO.	DESCRIPTION OF PART
06-83-2650	1/4"-20x3/8" Hd'less Brush Holder Set Screws (2)
06-81-6750	8-32x2-1/2" Fil. Hd. Sems Field Screws (2)
06-81-8625	6-32x1/4" Rd. Hd. Sems Ground Wire Screw (Brass)
06-77-0450	4-1/4" Rd. Hd. Name Plate Screws
06-81-8650	6-32x1/4" Rd. Hd. Sems Comm. Cover Screws (2)
06-81-6950	10-24x1/2" Fil. Hd. Sem Tool Rest Screws (2)
06-42-2000	Woodruff Key
06-81-5400	8-32x5/16" Binder Hd. Switch Mounting Screws Sems (2)

Numbers in brackets indicate number required.