



# SERVICE PARTS LIST

**BULLETIN NO.**  
**54-22-1065**

SPECIFY CATALOG NO. AND SERIAL NO. WHEN ORDERING PARTS		REVISED BULLETIN 54-22-1064	DATE June 2006
<b>3" STRAIGHT GRINDER</b>			
CATALOG NO.	<b>5211</b>	STARTING SERIAL NO.	<b>676D</b>
		WIRING INSTRUCTION <b>58-01-0313</b>	

00  
0

**EXAMPLE:**

Component Parts (Small #) Are Included When Ordering The Assembly (Large #).

★ = Part number change from previous service parts list.

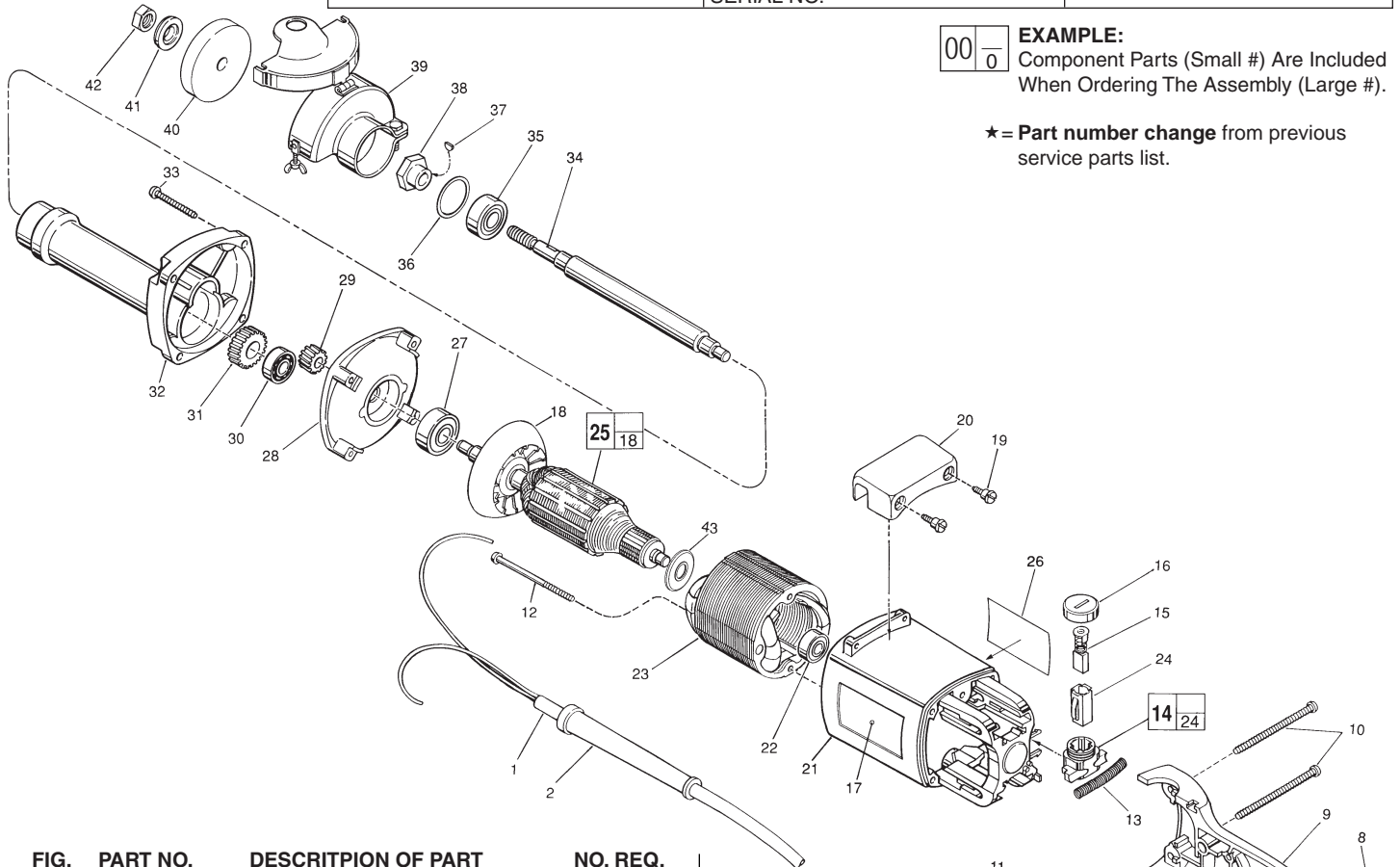


FIG.	PART NO.	DESCRIPTION OF PART	NO. REQ.
1	22-64-0785	Cord Set	(1)
2	44-76-0050	Cord Protector	(1)
3	31-44-1116	Left Handle Half	(1)
4	06-55-1050	10-24 Hex Nut	(5)
★ 5	05-78-0305	Switch Screw T-15	(2)
6	23-66-1798	Switch	(1)
7	06-82-7409	8-16 x 1/2" Pan Hd. Plast. T-20	(1)
8	06-82-2568	10-24 x 7/8" Slit. Pan Hd. T-25	(3)
9	31-44-1711	Right Handle Half	(1)
10	06-82-2598	10-24 x 2-3/4" Slit. Pan Hd. T-25	(2)
11	42-38-0190	Bumper	(1)
12	06-82-7375	8-16 x 2-1/2" Taptite T-20	(2)
13	40-50-7770	Brush Holder Spring	(2)
14	22-22-1325	Brush Holder Assembly	(2)
15	22-18-0680	Carbon Brush Assembly	(2)
16	23-44-0210	Brush Retaining Screw	(2)
17	12-20-5210	Service Nameplate Kit	(1)
18	22-84-0710	Fan	(1)
19	45-04-0720	Shoulder Screw	(2)
20	31-70-0125	Tool Rest	(1)
21	31-50-0548	Motor Housing	(1)
22	02-04-0845	Ball Bearing	(1)
23	18-50-0090	Field	(1)
24	22-20-0660	Brush Tube	(2)
★ 25	16-50-1130	Armature	(1)
26	10-98-1825	Warning Label	(1)
★ 27	02-04-1860	Ball Bearing	(1)
28	28-28-1565	Diaphragm	(1)
29	32-02-3020	Armature Gear	(1)
30	02-04-0910	Ball Bearing	(1)
31	32-75-3030	Spindle Gear	(1)
32	28-50-6190	Spindle Housing	(1)
33	06-82-7407	10-14 x 1-9/16" Pan Hd. T-25	(4)
34	38-50-5330	Spindle Shaft	(1)
★ 35	02-04-1860	Ball Bearing	(1)

FIG.	PART NO.	DESCRIPTION OF PART	NO. REQ.
36	34-80-2600	Internal Retaining Ring	(1)
37	06-42-0400	Woodruff Key	(1)
38	43-34-0195	Inner Wheel Flange	(1)
39	49-12-0280	Wheel Guard	(1)
40	-----	3" Grinding Wheel (Select from Cat.)	(1)
41	43-34-0190	Outer Wheel Flange	(1)
42	06-55-2475	3/8 - 24 Hex Nut	(1)
★ 43	23-16-1700	Commutator Insulator	(1)
	49-96-4050	9/16" Open End Wrench	(1)
	49-96-4075	1" Open End Wrench	(1)

**FIG. LUBRICATION**

★ 32 **Important!** Completely clean out old grease from the spindle housing and replace with 3/4 Oz. Type "Y" Grease, No. 49-08-5270.