



SERVICE PARTS LIST

BUL. 54-22-9000

4" GRINDER

Catalog No. **5200-8**

Starting Serial No. **283-1001**

REVISED BUL 6283-1 DATE FEB. '68

WIRING INSTR.

Both Model and Serial No. must be furnished to obtain correct parts.

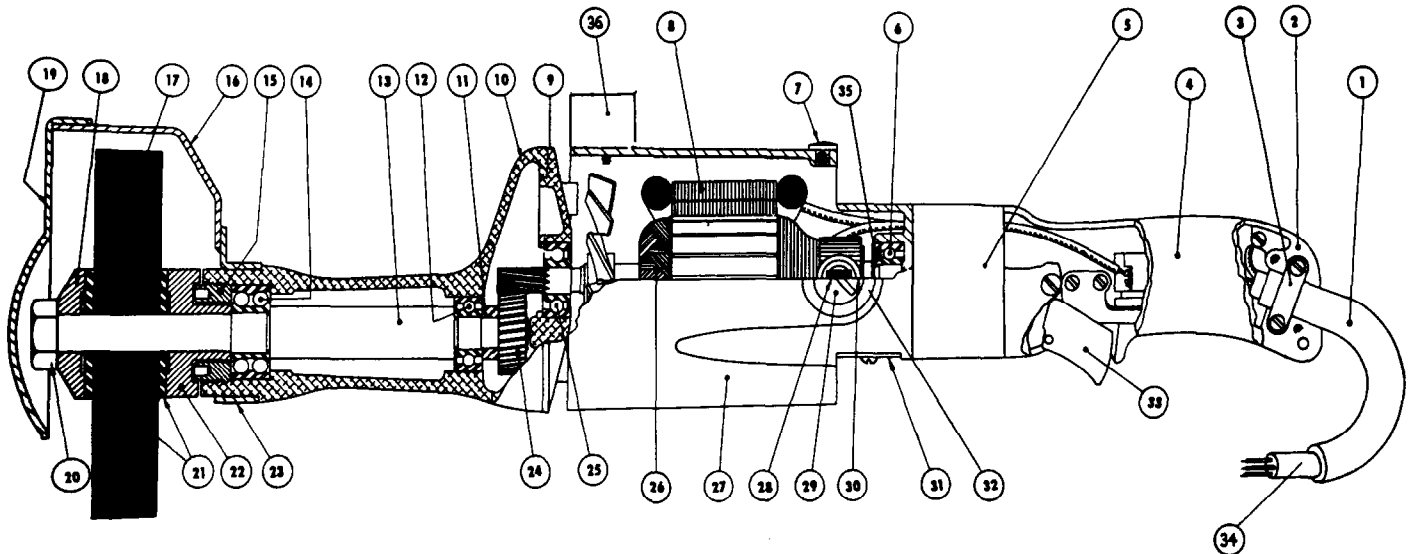


FIG.	PART NO.	DESCRIPTION OF PART	FIG.	PART NO.	DESCRIPTION OF PART
1	23-82-0060	Cord Protector Tube	19	See Fig. 17	Sold only as an Assembly
2	28-44-1041	Handle (Switch Mounting Side)	20	06-55-2850	1/2-13 Thr'd Spindle Nut
3	28-17-0200	Cord Clamp Strap	21	45-88-0190	Rubber Flange Washers (2)
4	28-44-9081	Handle (Switch Cover Side)	22	43-34-0070	Inner Wheel Flange
5	23-62-0100	Radio Supp. Assembly	23	See Fig. 17	Sold only as an Assembly
6	02-04-1070	Ball Bearing (Comm. End)	24	32-75-2281	Spindle Gear
7	06-77-1400	Drive Screw Tool Rest Button	25	02-04-1260	Ball Bearing (Pinion End)
8	18-82-1170	Field Assembly	26	16-82-1760	Armature Assembly
9	28-28-1021	Diaphragm	27	28-50-4562	Motor Housing
10	28-50-7601	Spindle Housing	28	22-18-0260	Carbon Brush Assemblies (per set 2)
11	45-36-0220	Spindle Gear Spacer	29	23-44-0065	Brush Ret. Cap Assembly (per set 2)
12	02-04-1520	Ball Bearing (Inner)	30	22-22-0130	Brush Holder Assembly (2)
13	38-50-2051	Spindle	31	44-66-0100	Commutator Cover Plate
14	02-20-1720	Ball Bearing (Outer)	32	22-24-0100	Brush Holder Bushing Steel (2)
15	44-40-0180	Bearing Lock Nut	33	23-66-0250	Switch Assembly
16	43-54-0100	4" Guard Assembly	34	22-64-0160	Cord-Set
17	49-92-1120	4" dia. x 3/8" hole Grinding Wheel (spec. Grit)	35	43-06-0070	Grounding Disc
18	43-34-0050	Outer Wheel Flange	36	28-79-0241	Tool Rest

MISCELLANEOUS PARTS NOT SHOWN

PART NO.	DESCRIPTION OF PART	PART NO.	DESCRIPTION OF PART
12-98-3500	Name Plate	06-97-3600	Kantlink Lock Washer (No. 12)
23-86-0130	Insulating Washers (2)	06-83-2650	1/4"-20x3/8" Hd. less Brush Holder Set Scs. (2)
06-81-6100	8-32x7/16" Fil. Hd. Sems Cord Clamp Strap Scs. (2)	06-81-8950	8-32x2-1/4" Rd. Hd. Field Screws Sems (2)
06-81-7150	10-24x1-3/8" Fil. Hd. Sems Spindle Hsg. Scs. (4)	06-81-8625	6-32x1/4" Rd. Hd. Sems Ground Wire Sc. (Brass)
06-81-3750	8-32x1 Oval Hd. Handle Cover Screws	06-81-5400	8-32x5/16 Binder Hd. Switch Mtg. Screws (2)
06-81-3700	8-32x7/8" Oval Hd. Handle Cover Screws (2)	06-81-8200	4-36 Rd. Hd. Sems Name Plate Screws (2)
06-81-1625	12-24x2 1/4" Fil. Hd. Switch Handle Screws (4)	06-81-8650	6-32x1/4" Rd. Hd. Sems Comm. Cover Screws. (2)
06-97-3200	Kantlink Lock Washer (No. 8)	06-81-6950	10-24x1/2" Fil. Hd. Sems Tool Rest Screws (2)
06-97-3400	Kantlink Lock Washer (No. 10)		

Numbers in brackets indicate number required.