

INSTALLATION INSTRUCTIONS

MULCH KITS

36" - 966988701

48" - 96698702

52" - 966988703

For models: 966947002, 966947003, 966947005, 966947006, 966947008, 966947009

IMPORTANT: BEFORE PROCEEDING, PLACE ALL CONTROLS IN THE *DISENGAGED* OR *OFF* POSITION AND REMOVE SPARK PLUG WIRES FROM THE SPARK PLUG.



WARNING!

Blades are sharp. Protect your hands with gloves and/or wrap blades with a heavy cloth when handling.



1. Remove belt covers.
2. Block the front of the mower up to give access to the underside of the front deck. Carefully remove the standard blades and retain the blade bolt for reuse. Clean any grass from underneath the deck.

For 36" decks, skip to Step 5. For 48" and 52" decks, see Step 3.

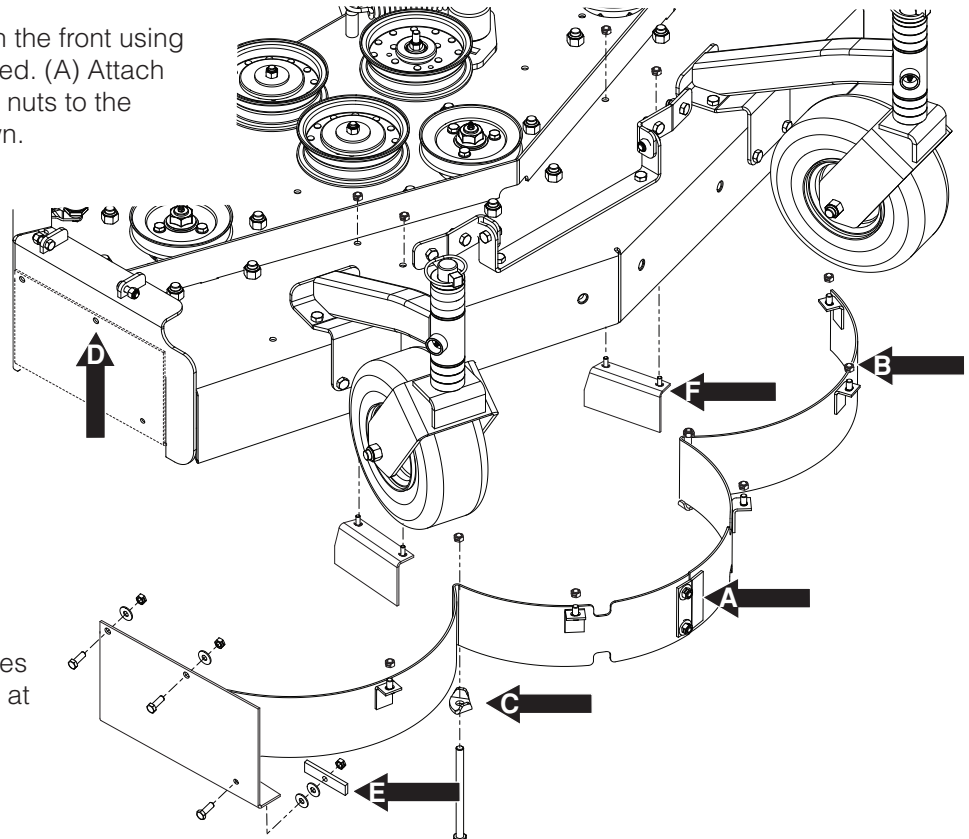
3. Remove the hardware and original front baffles from the deck.
4. Bolt the two sections together in the front using two of the carriage bolts provided. (A) Attach hardware with the washers and nuts to the outside of the sections as shown.

5. With the discharge chute up, place the baffle assembly up under the deck and install with carriage bolts up through the bottom. (B).

6. Using the two $\frac{5}{16}$ -18 x $\frac{1}{2}$ " bolts, flanged washers and center lock nuts, fasten the bend of the baffle to the deck. (C) The flanged washer should be turned so the lip catches the front of the bend on the baffle.

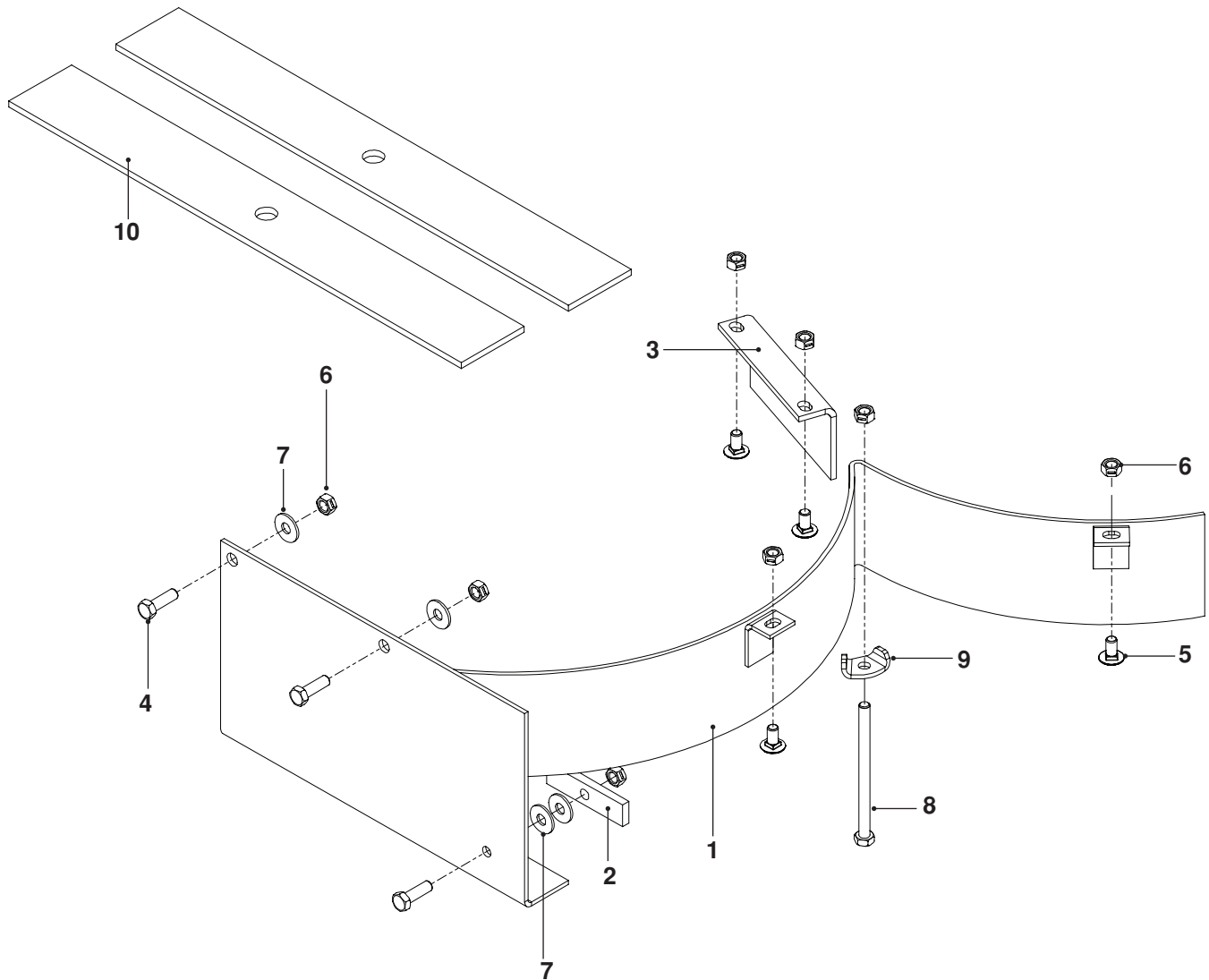
7. Using the discharge plate as a template, mark the deck for placement of the two upper holes of the plate. Drill two $\frac{11}{16}$ " holes at the marked locations. (D)

8. Using two of the $\frac{5}{16}$ -18 x 1" bolts and washers, fasten the discharge cover plate (D) to the deck.
9. Install the clamp (E) to the front corner of the discharge cover plate using a $\frac{5}{16}$ -18 x 1" bolt, two washers and nut. Both washers should be placed between the clamp and the discharge cover. The clamp will overlap onto the front corner of the deck.
10. Install the center deflector(s) on both sides. (F) Deflectors shown are from the 48" kit.
11. Install the mulching blades using the blade bolts retained from original blades. After installation, rotate the blades by hand to check for clearance of the baffles and deflectors.
12. Tighten all hardware securely.
13. Remove the blocks and set the mower in the normal position.
14. Replace the belt covers and tighten hardware securely.



PARTS LIST

36" - 966988701

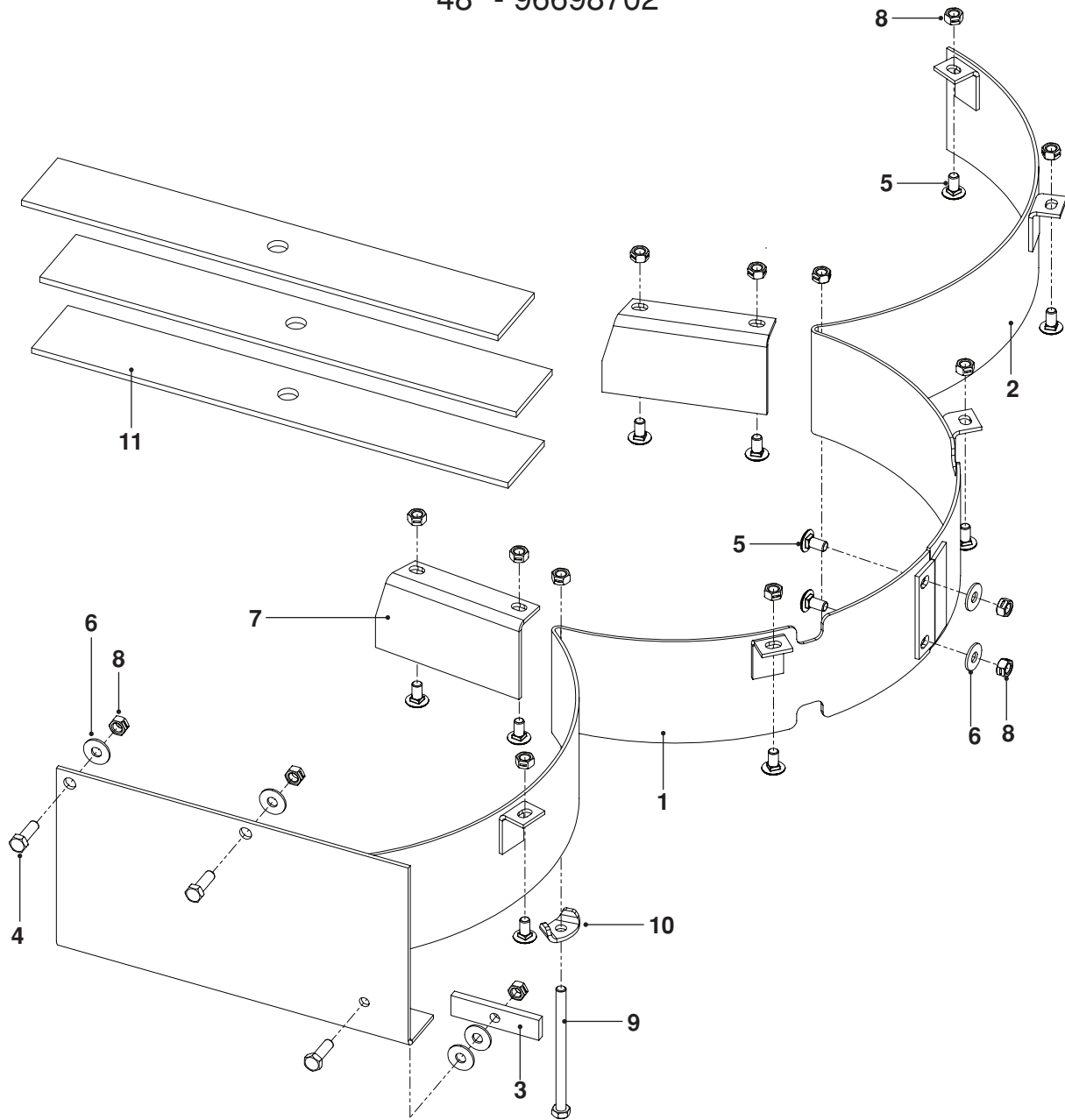


ITEM	PART NO.	QTY.	DESCRIPTION
1..	510 282902....1	BAFFLE WLDT, BLACK
2..	539 101595....1	CLAMP
3..	539 105132....1	DEFLECTOR, CENTER
4..	539 990209....3	HCS $\frac{5}{16}$ -18 x 1 GR 5
5..	539 990799....4	RHSNB $\frac{5}{16}$ -18 x $\frac{5}{8}$ GR 5

ITEM	PART NO.	QTY.	DESCRIPTION
6..	539 990184....8	NUT $\frac{5}{16}$ -18 HEX CTRLK
7..	539 990692....4	WASHER $\frac{5}{16}$ STD FLT
8..	539 976940....1	HCS $\frac{5}{16}$ -18 x $4\frac{1}{2}$ GR 5
9..	510 366802....1	CAP, BLACK
10..	539 109757....2	MULCH BLADE 18"

PARTS LIST

48" - 96698702

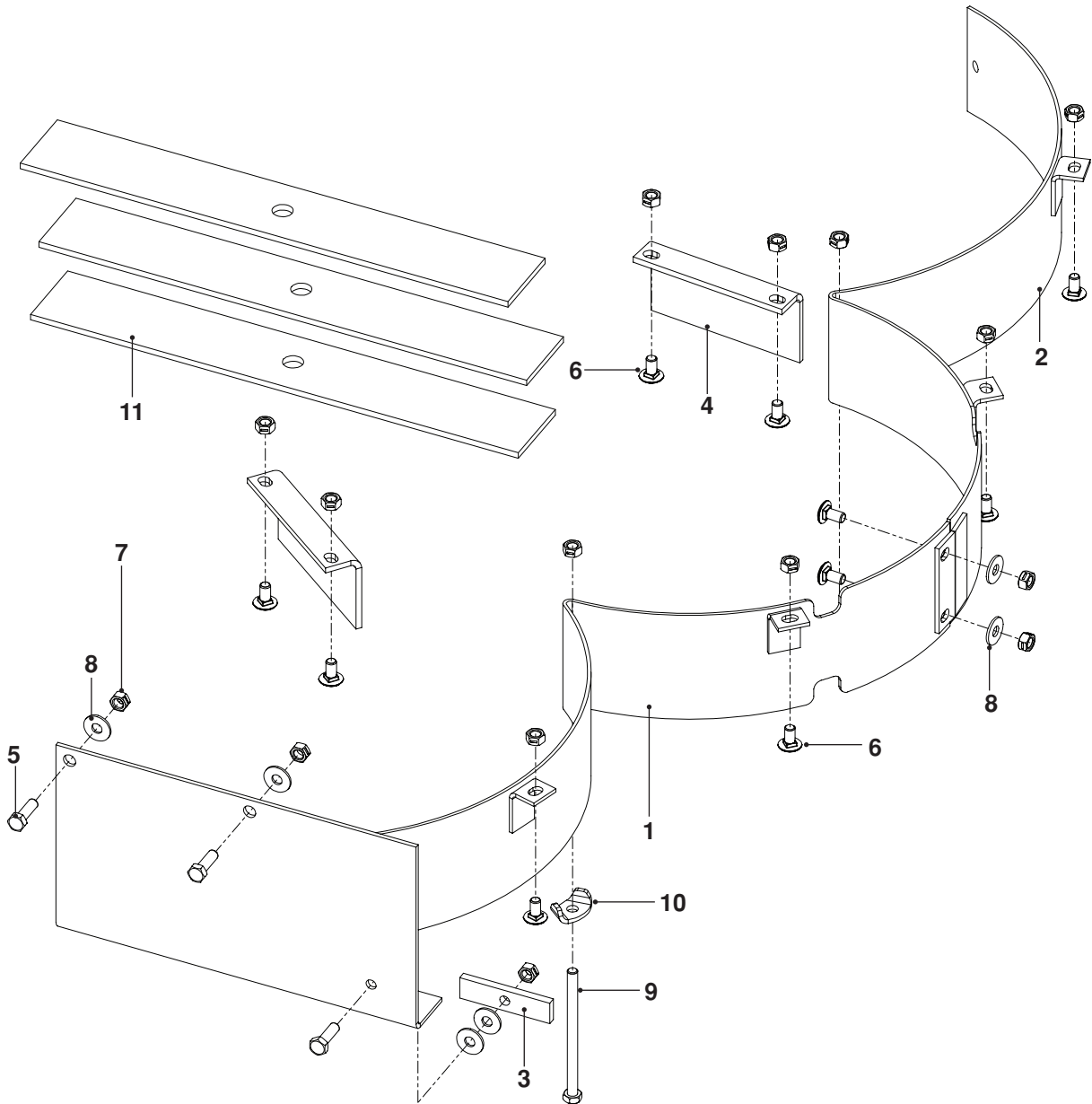


ITEM	PART NO.	QTY.	DESCRIPTION
1..	510 283102....1	BAFFLE WLDT, BLACK 48"
2..	510 283002....1	BAFFLE WLDT, BLACK
3..	539 101595....1	CLAMP
4..	539 990209....3	HCS $\frac{5}{16}$ -18 x 1 GR 5
5..	539 990799..11	RHSNB $\frac{5}{16}$ -18 x $\frac{5}{8}$ GR 5
6..	539 990692....6	WASHER $\frac{5}{16}$ STD FLT

ITEM	PART NO.	QTY.	DESCRIPTION
7..	539 103441....2	CENTER DEFLECTOR, BLACK
8..	539 990184..16	NUT $\frac{5}{16}$ -18 HEX CTRLK
9..	539 976940....2	HCS $\frac{5}{16}$ -18 x $4\frac{1}{2}$ GR 5
10..	510 366802....2	CAP, BLACK
11..	539 109756....3	MULCH BLADE $16\frac{1}{4}$ "

PARTS LIST

52" - 966988703



ITEM	PART NO.	QTY.	DESCRIPTION
1..	510 283301....1	BAFFLE WLDT, BLACK 52"
2..	539 103391....1	MULCH WLD-LT
3..	539 101595....1	CLAMP
4..	539 105132....2	DEFLECTOR CENTER, 52"
5..	539 990209....3	HCS $\frac{5}{16}$ -18 x 1 GR 5
6..	539 990799..10	RHSNB $\frac{5}{16}$ -18 x $\frac{5}{8}$ GR 5

ITEM	PART NO.	QTY.	DESCRIPTION
7..	539 990184..15	NUT $\frac{5}{16}$ -18 HEX CTRLK
8..	539 990692....6	WASHER $\frac{5}{16}$ STD FLT
9..	539 976940....2	HCS $\frac{5}{16}$ -18 x 4 $\frac{1}{2}$ GR 5
10..	510 366802....2	CAP, BLACK
11..	539 109757....3	MULCH BLADE 18"