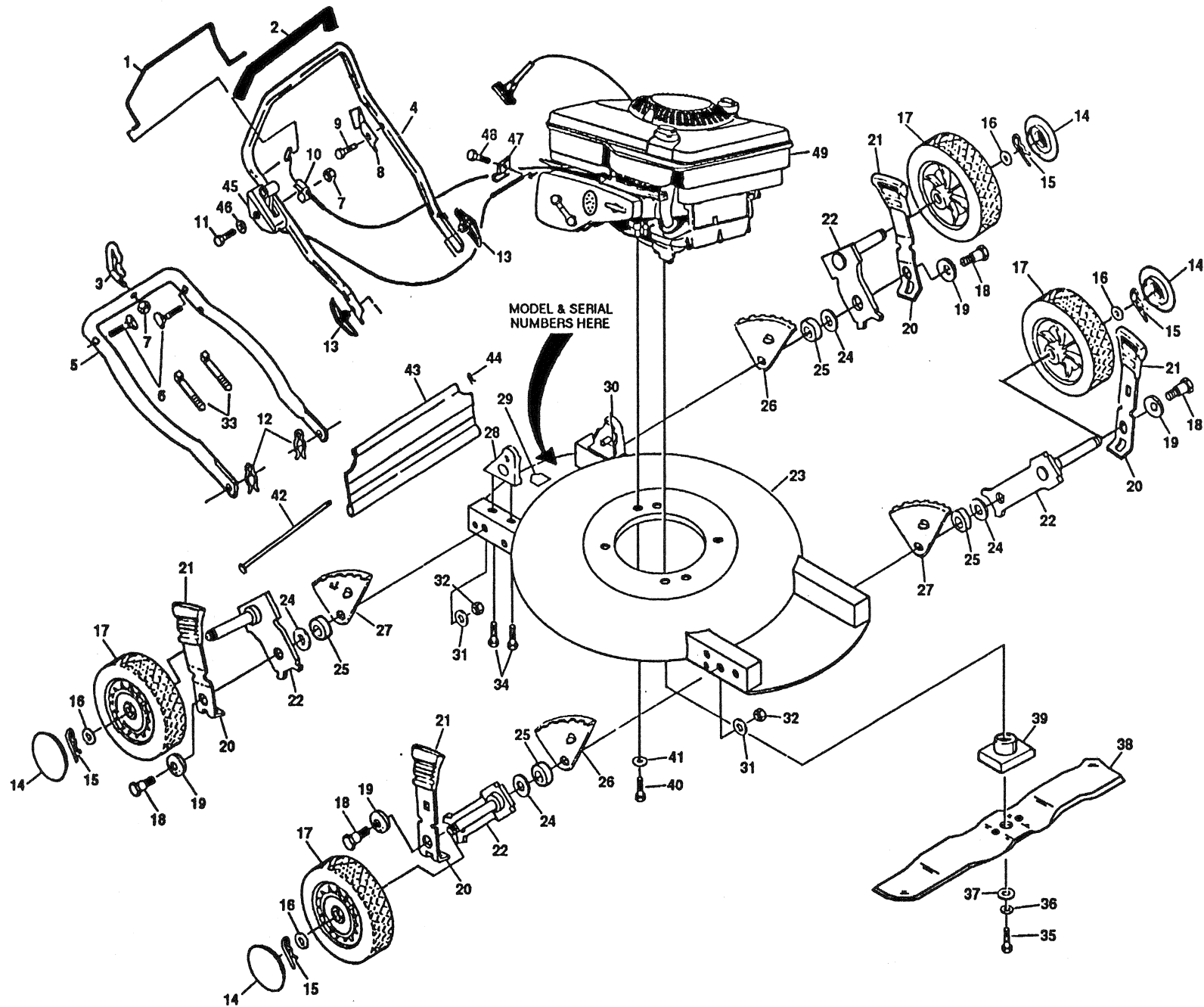


REPAIR PARTS

H51MA

20" ROTARY LAWN MOWER -- MODEL NO. 51m, PRODUCT NO. 954 05 61-01



REPAIR PARTS

H51MA

20" ROTARY LAWN MOWER -- MODEL NO. 51m, PRODUCT NO. 954 05 61-01

KEY NO.	PART NO.	DESCRIPTION	KEY NO.	PART NO.	DESCRIPTION
1	532850758	Control Bar	29	532107339	Danger Decal
2	532850724	Handle Grip	30	532125049	Handle Bracket Assembly (Left)
3	532800357	Rope Guide	31	532061537	Washer
4	532125171	Upper Handle	32	532751592	Locknut 3/8-16
5	532125173	Lower Handle	33	532066426	Wire Tie
6	532058714	Handle Bolt 5/16-18 x 1-3/4	34	532055187	Thread Cutting Screw 5/16-18 x 3/4
7	532063601	Locknut 1/4-20	35	532851084	Hex Head Screw 3/8-24 x 1-3/8
8	532125162	Up-Stop Bracket	36	532850263	Helical Lockwasher 3/8
9	532750097	Hex Washer Head Screw #10-24 x 1/2	37	532851074	Hardened Washer
10	532851679	Engine Zone Control Cable	38	532129277	20" Blade
11	532085692	Pan Head Screw 1/4-20 x 2-1/8	39	532851514	Blade Adapter
12	532051793	Hairpin Cotter	40	532850998	Hex Head Thread Rolling Screw 3/8-16 x 1-1/8
13	532063688	Handle Knob	41	532053998	Washer
14	532800627	Hubcap	42	532129404	Deflector Rod
15	532085179	Retainer Clip	43	532751648	Rear Deflector
16	532052160	Washer	44	532700279	Retainer Clip
17	532086984	Wheel & Tire Assembly 8.0 x 2.0	45	532851464	Throttle Control
18	532084921	Shoulder Bolt	46	532085723	Washer
19	532062335	Belleville Washer	47	532213146	* Cable Clamp
20	532125066	Selector Spring	48	532107488	Thread Rolling Screw #10-32 x 5/8
21	532077865	Selector Knob	49	-- -- -- --	* Engine - Briggs & Stratton, Model No. 124702 Type No. 3175-01
22	532125079	Axle Arm Assembly	--	532801607	Operator's Manual (English)
23	532129526	Lawn Mower Housing (Includes Key No. 29)	--	532128431	Operator's Manual (French)
24	532088348	Washer	--	532800569	Decal (Engine)
25	532084920	Spacer	--	532801659	Decal (Housing)
26	532800370	Wheel Adjusting Bracket (R.F./L.R.)			
27	532800368	Wheel Adjusting Bracket (L.F./R.R.)			
28	532125047	Handle Bracket Assembly (Right)			

851809

418 Gray

84676x479 BIR

850977

130665

* These parts must be purchased through an authorized Briggs & Stratton dealer.

P/N
 Trim Plate 800546
 " " Clips 58875
 " " rivets 62458
 " " screws 36953