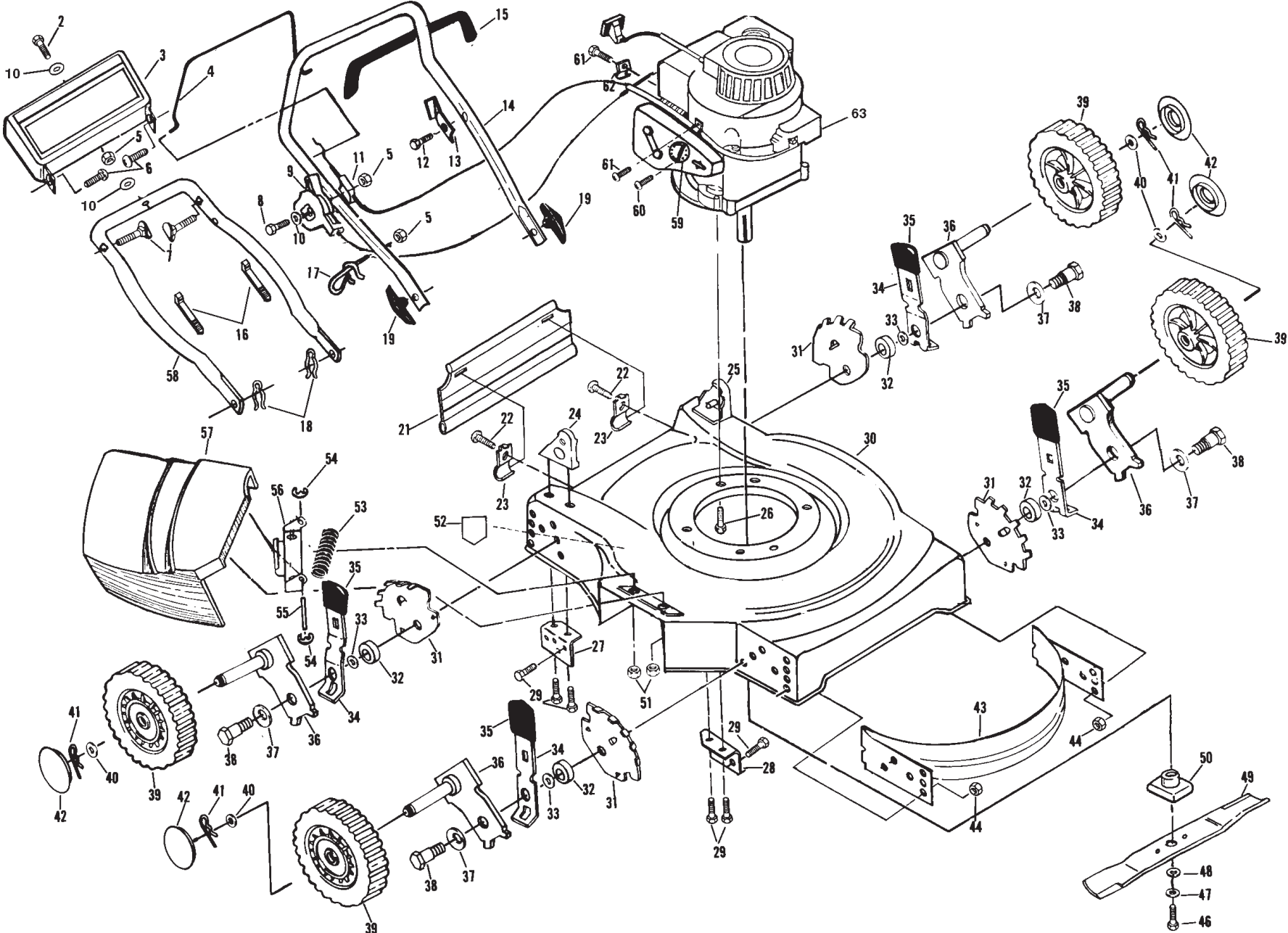


REPAIR PARTS

20" ROTARY LAWN MOWER - - MODEL NO. 51d, PRODUCT NO. 954 05 26-01



# REPAIR PARTS

## 20" ROTARY LAWN MOWER - - MODEL NO. 51d, PRODUCT NO. 954 05 26-01

| KEY NO. | PART NO.     | DESCRIPTION                           | KEY NO. | PART NO.       | DESCRIPTION   |
|---------|--------------|---------------------------------------|---------|----------------|---|
| 2       | 532 08 54-36 | Hex Washer Head Screw 1/4-20 x 1-1/2  | 37      | 532 06 23-35   | Belleville Washer   |
| 3       | 532 80 05-47 | Trim Plate                            | 38      | 532 08 49-21   | Shoulder Bolt 3/8-16  |
| 4       | 532 85 07-58 | Control Bar                           | 39      | 532 08 69-84   | Wheel Assembly 8.0 x 2.0  |
| 5       | 532 06 36 01 | Locknut 1/4-20                        | 40      | 532 05 21-60   | Washer  |
| 6       | 532 03 69-53 | Self-tapping Screw #10-24 x 5/8       | 41      | 532 08 51-79   | Retainer Clip   |
| 7       | 532 05 87-14 | Handle Bolt 5/16-18 x 1-3/4           | 42      | 532 80 06-27   | Hubcap  |
| 8       | 532 08 56-92 | Machine Screw 1/4-20 x 2-1/8          | 43      | 532 12 50-44   | Front Baffle  |
| 9       | 532 85 14-61 | Throttle Control                      | 44      | 532 06 23-36   | Locknut 3/8-16  |
| 10      | 532 08 57-23 | Washer                                | 46      | 532 85 10-84   | Hex Head Screw 3/8-24 x 1-3/8 Gr. 8                               |
| 11      | 532 85 16-69 | Engine Zone Control Cable             | 47      | 532 85 02-63   | Helical Lockwasher 3/8  |
| 12      | 532 75 00-97 | Hex Washer Head Screw #10-24 x 1/2    | 48      | 532 85 10-74   | Hardened Washer   |
| 13      | 532 12 51-62 | Up-Stop Bracket                       | 49      | 532 85 09-72   | 20" Blade   |
| 14      | 532 12 51-71 | Upper Handle                          | 50      | 532 85 15-14   | Blade Adapter   |
| 15      | 532 85 07-24 | Handle Grip                           | 51      | 532 05 34-90   | Locknut   |
| 16      | 532 06 64-26 | Wire Tie                              | 52      | 532 10 73-39   | Danger Decal  |
| 17      | 532 80 03-57 | Rope Guide                            | 53      | 532 08 75-89   | Torsion Spring  |
| 18      | 532 05 17-93 | Hairpin Cotter                        | 54      | 532 03 37-50   | E-Ring  |
| 19      | 532 06 36-88 | Handle Knob                           | 55      | 532 08 75-90   | Hinge Rod   |
| 21      | 532 70 00-62 | Rear Skirt                            | 56      | 532 08 75-93   | Housing Bracket Assembly  |
| 22      | 532 08 12-76 | Hex Washer Head Screw #10-24 x 1/2    | 57      | 532 85 07-78   | Discharge Guard   |
| 23      | 532 12 52-07 | Rear Skirt Bracket                    | 58      | 532 12 51-73   | Lower Handle  |
| 24      | 532 12 51-64 | Handle Bracket Assembly (Right)       | 59      | 532 10 32-51   | * Muffler Deflector   |
| 25      | 532 12 51-63 | Handle Bracket Assembly (Left)        | 60      | 532 09 37-05   | * Screw #8-32 x 3/8   |
| 26      | 532 85 09-98 | Thread Rolling Screw 3/8-16 x 1       | 61      | 532 10 74-88   | Thread Rolling Screw #10-32 x 5/8                                 |
| 27      | 532 12 52-05 | Support Handle Bracket (Right)        | 62      | 532 21 31-46   | * Cable Clamp   |
| 28      | 532 12 52-06 | Support Handle Bracket (Left)         | 63      | -- -- -- -- -- | * Engine - Briggs & Stratton<br>Model No. 96502, Type No. 3123-01 |
| 29      | 532 05 51-87 | Screw 5/16-18                         | --      | 532 12 50-46   | Rear Baffle (Not Shown)   |
| 30      | 532 80 10-91 | Lawn Mower Housing (Includes Key #52) | --      | 532 80 16-75   | Operator's Manual (English)                                       |
| 31      | 532 12 51-67 | Wheel Adjusting Bracket               | --      | 532 12 84-33   | Operator's Manual (French)  |
| 32      | 532 08 49-20 | Spacer                                | --      | 532 80 05-70   | Decal (Engine)  |
| 33      | 532 08 83-48 | Washer                                | --      | 532 80 05-71   | Decal (Housing)   |
| 34      | 532 12 51-68 | Selector Spring                       | --      | 532 85 07-88   | Decal (Trim Plate)  |
| 35      | 532 07 78-65 | Selector Knob                         |         |                |   |
| 36      | 532 12 51-72 | Axle Arm Assembly                     |         |                |   |

\* These parts must be purchased through an authorized Briggs & Stratton dealer.