



SERVICE PARTS LIST

BULLETIN NO.
54-22-1262

SPECIFY CATALOG NO. AND SERIAL NO. WHEN ORDERING PARTS		REVISED BULLETIN	DATE
D. I. DIE GRINDER		54-22-1261	Oct. 2012
CATALOG NO.	5194	WIRING INSTRUCTION	
STARTING SERIAL NO.	803C	58-01-0309	

EXAMPLE:

00	0
----	---

 Component Parts (Small #) Are Included When Ordering The Assembly (Large #).

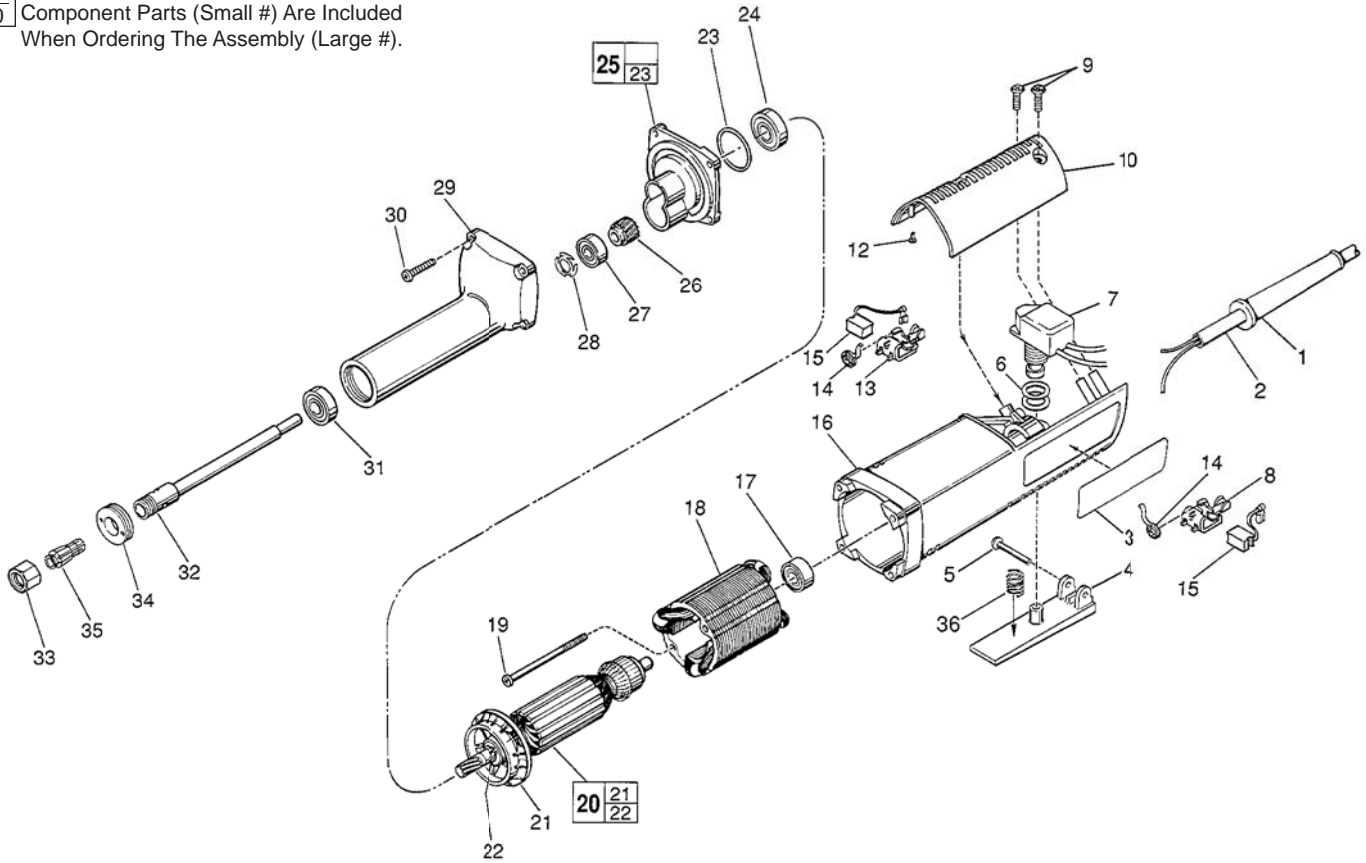


FIG.	PART NO.	DESCRIPTION OF PART	NO. REQ.
	1	44-76-0130 Cord Protector	(1)
	2	22-64-0215 Cord Set	(1)
★	3	12-20-0910 Service Nameplate Kit	(1)
★	4	31-92-0112 Trigger	(1)
	5	06-72-0815 Tapered Rivet	(1)
★	6	34-40-4015 O-Ring	(2)
★	7	23-66-2171 Switch	(1)
	8	22-20-0691 Left Brush Holder	(1)
	9	06-82-7270 8-16 x 5/8" Pan Hd. T-20 Plastite Screw	(3)
★	10	31-15-0143 Motor Housing Cover	(1)
	12	42-38-0181 Rubber Bumper	(2)
	13	22-20-0692 Right Brush Holder	(1)
	14	23-52-0240 Brush Spring	(2)
	15	22-18-0710 Carbon Brush	(2)
	16	31-50-0425 Motor Housing	(1)
	17	02-04-0845 Ball Bearing	(1)
	18	18-07-0100 120 Volt Field	(1)
	19	06-82-7375 8-16 x 2-1/2" Pan Hd. Plast. T-20 Screw	(2)

FIG.	PART NO.	DESCRIPTION OF PART	NO. REQ.
	20	16-07-0100 120 Volt Armature	(1)
	21	22-84-0680 Fan	(1)
	22	34-60-0920 Ball Brg. Retaining Ring	(1)
	23	34-40-4210 O-Ring	(1)
	24	02-04-1207 Ball Bearing	(1)
	25	28-28-1905 Diaphragm Assembly	(1)
	26	32-75-2880 Spindle Gear	(1)
	27	02-04-0845 Ball Bearing	(1)
	28	45-88-7550 Finger Washer	(1)
★	29	28-50-7718 Spindle Housing	(1)
	30	06-82-7326 8-16 x 1" Pan Hd. Slit. Plast. T-20 Screw	(4)
	31	02-04-1005 Ball Bearing	(1)
★	32	38-50-5211 Spindle Shaft	(1)
★	33	48-68-0031 1/4" Collet Nut	(1)
	34	44-40-0490 Bearing Lock Nut	(1)
	35	48-66-0975 1/4" Collet	(1)
	36	40-50-1300 Spring	(1)
		49-96-4040 1/2" Open End Wrench (Not Shown)	(1)
		49-96-4090 11/16" Open End Wrench (Not Shown)	(1)

FIG. LUBRICATION

29 1/4 Oz. Type "D" Grease, No. 49-08-4110.