



SERVICE PARTS LIST

BULLETIN NO.
54-22-1020

SPECIFY CATALOG NO. AND SERIAL NO. WHEN ORDERING PARTS			REVISED BULLETIN	DATE
D. I. DIE GRINDER				Oct. 2012
CATALOG NO.	5192	STARTING SERIAL NO.	WIRING INSTRUCTION	
		669-1001	58-01-0308	
CAT. NO.	5192-7	START SER. NO.	669-01001	BILINGUAL LABEL
				10-98-6115

EXAMPLE:

00	0
----	---

 Component Parts (Small #) Are Included
 When Ordering The Assembly (Large #).

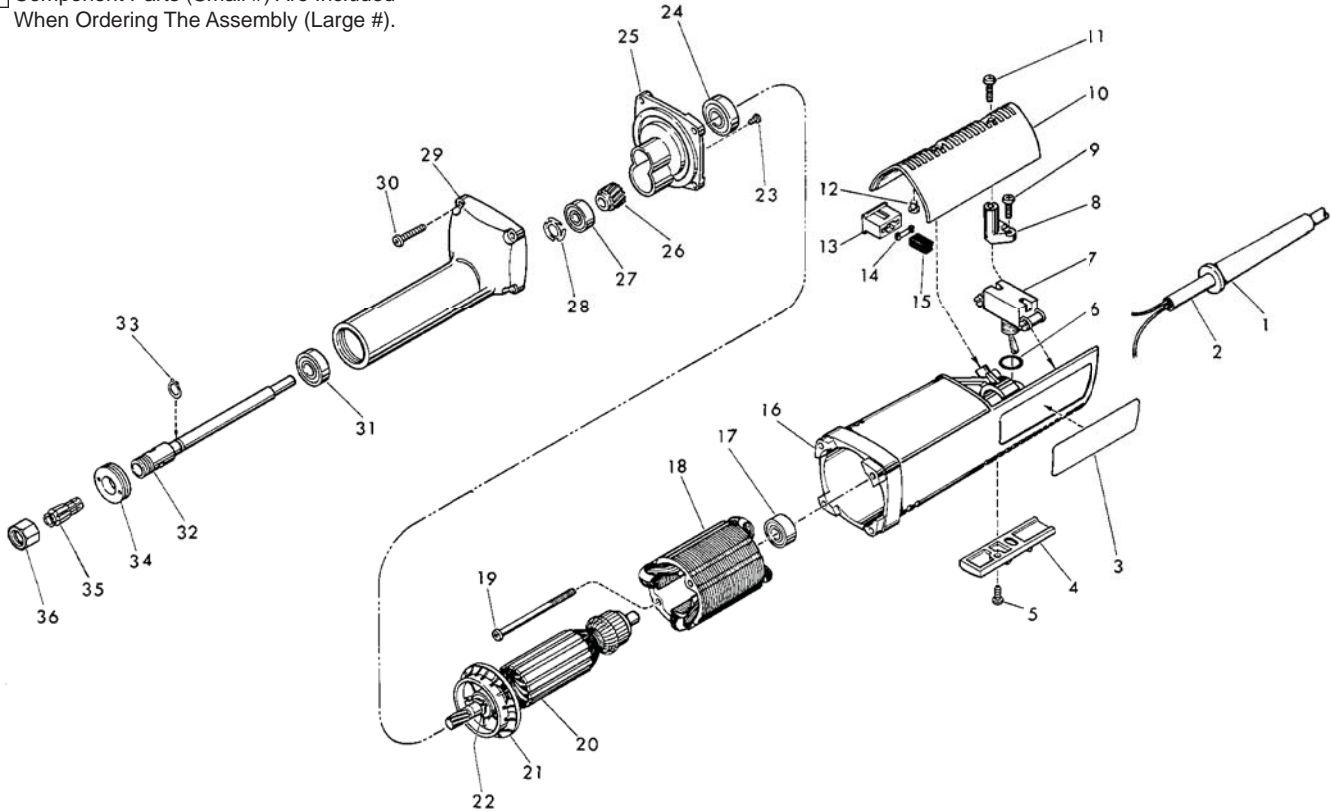


FIG.	PART NO.	DESCRIPTION OF PART	NO. REQ.
1	44-76-0110	Cord Protector	(1)
2	22-64-0215	Cord Set	(1)
3	12-65-0401	Service Nameplate	(1)
	12-65-0403	Service Nameplate - Canadian	(1)
4	31-55-0155	Trigger Cover	(1)
5	06-95-0205	8-16 x 1/2" Pan Hd. Plastite Screw	(1)
6	34-40-4015	O-Ring	(2)
7	23-66-1190	Switch	(1)
8	31-17-0120	Cord Clamp	(1)
9	06-95-0216	8-16 x 5/8" Plastite Screw	(2)
10	31-15-0140	Motor Housing Cover	(1)
	31-15-0290	Motor Housing Cover - Canadian	(1)
11	06-95-0216	8-16 x 5/8" Plastite Screw	(2)
12	42-38-0180	Rubber Bumper	(2)
13	22-20-0450	Brush Holder	(2)
14	23-52-0190	Brush Spring	(2)
15	22-16-0275	Carbon Brush	(2)
16	31-50-0235	Motor Housing	(1)
17	02-04-0845	Ball Bearing	(1)
18	18-07-0020	120 Volt Field	(1)
19	06-82-0218	8-16 x 2-1/2" Pan Hd. Plastite Screw	(2)

FIG.	PART NO.	DESCRIPTION OF PART	NO. REQ.
20	16-07-0025	120 Volt Armature	(1)
21	22-84-0680	Fan	(1)
22	34-60-2345	Ball Brg. Retaining Ring	(1)
23	06-95-0110	6-32 x 5/16" Pan Head Taptite Screw	(2)
24	02-04-1207	Ball Bearing	(1)
25	28-28-1540	Diaphragm	(1)
26	32-75-2880	Spindle Gear	(1)
27	02-04-0845	Ball Bearing	(1)
28	45-88-7550	Finger Washer	(1)
29	28-50-7720	Spindle Housing	(1)
30	06-95-0219	8-16 x 7/8" Pan Hd. Slit. Plastite Screw	(4)
31	02-04-1005	Ball Bearing	(1)
32	38-50-5210	Spindle Shaft	(1)
33	34-60-2340	Ball Bearing Retaining Ring	(1)
34	44-40-0490	Bearing Lock Nut	(1)
35	48-66-0975	1/4" Collet	(1)
36	44-40-0435	Collet Nut	(1)
37	49-96-4040	1/2" Open End Wrench (Not Shown)	(1)
38	49-96-4090	11/16" Open End Wrench (Not Shown)	(1)

FIG. LUBRICATION

29 1/4 Oz. Type "G" Grease, No. 49-08-4140.