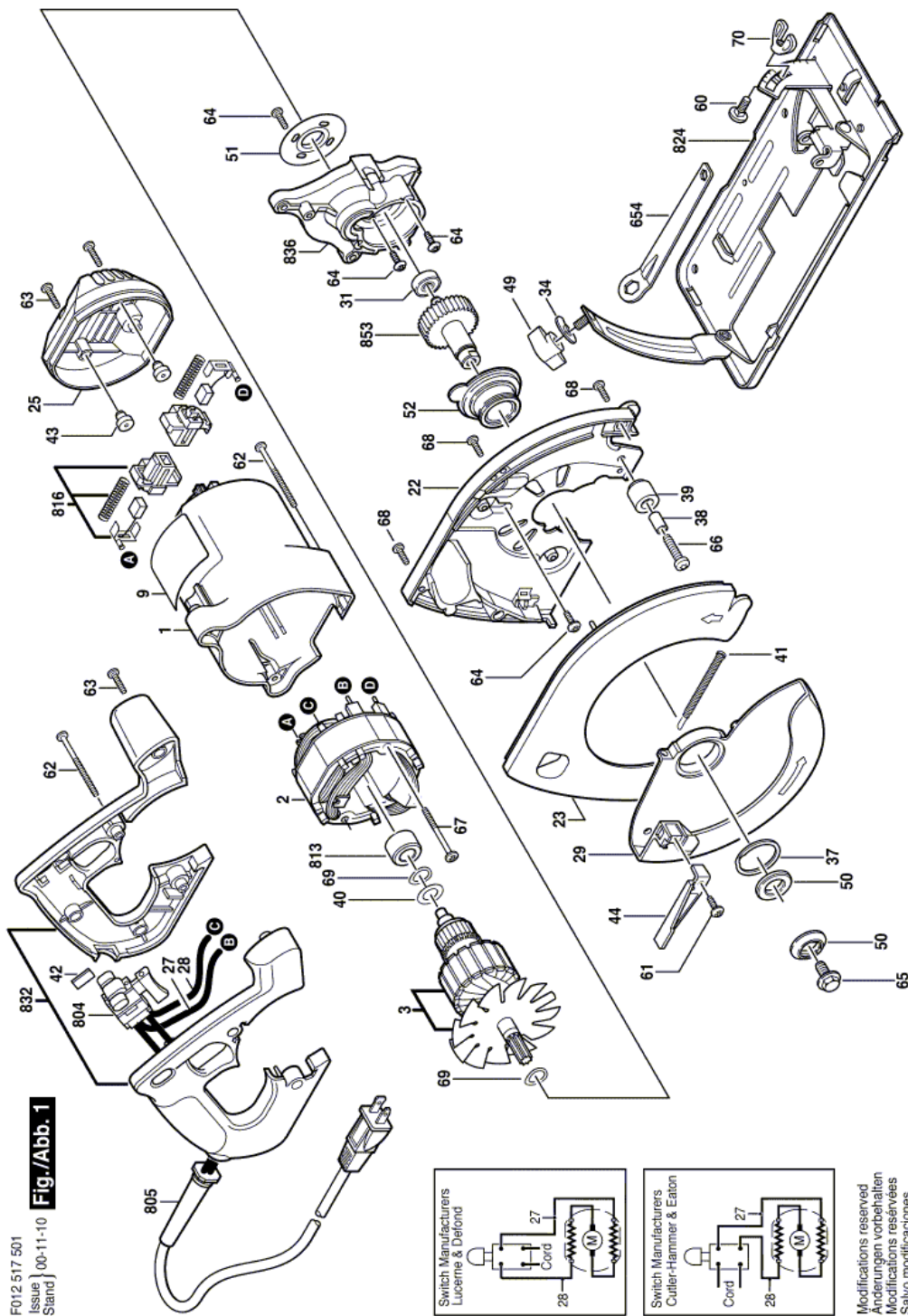


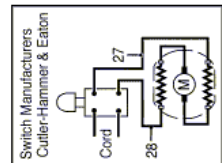
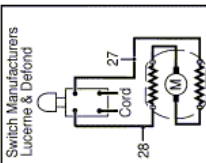
Item	Part Number	Description	Illustration	Price	Quantity
	1 2 610 996 647	Motor Housing	1	,-	1
	2 2 610 341 367	Field 120V	1	,-	1
	3 2 610 968 412	Armature 120V	1	,-	1
	9 2 610 997 754	Nameplate	1	,-	1
	22 2 610 968 426	Front Housing	1	,-	1
	23 2 610 999 054	Front Housing	1	,-	1
	25 2 610 997 752	Sealing cap	1	,-	1
	27 2 610 990 839	Connecting Cable L = 375 MM	1	,-	1
	28 2 610 990 840	Connecting Cable L = 250 MM	1	,-	1
	29 2 610 968 317	Pivoting Blade Guard	1	,-	1
	31 1 619 P01 511	Ball Bearing	1	,-	1
	34 2 610 993 171	Pointer	1	,-	1
	37 2 610 341 359	Spring retaining ring	1	,-	1
	38 2 610 341 366	Spacer	1	,-	1
	39 2 610 341 394	End stop	1	,-	1
	40 2 610 917 567	Knob	1	,-	1
	41 2 610 968 416	Extension Spring	1	,-	1
	42 2 610 347 892	Spacer	1	,-	1
	43 2 610 350 655	Rubber Buffer	1	,-	2
	44 2 610 968 855	Lever	1	,-	1
	49 2 610 917 567	Knob	1	,-	1
	50 2 610 341 361	Supporting Disc	1	,-	2
	51 2 610 990 808	Heat Sink	1	,-	1
	52 2 610 968 650	Bearing Flange	1	,-	1
	60 2 610 017 262	Round-Head Bolt	1	,-	1
	61 2 610 328 924	Screw	1	,-	1
	62 2 610 968 438	Screw	1	,-	3
	63 1 619 P01 505	Screw	1	,-	6
	64 2 610 990 818	Hex Screw	1	,-	8
	65 1 619 X00 935	Hex Screw	1	,-	1
	66 2 610 347 100	Screw	1	,-	1
	67 2 610 347 103	Screw	1	,-	2
	68 2 610 992 551	Tapping Screw	1	,-	4

Item	Part Number	Description	Illustration	Price	Quantity
69	2 610 313 808	Plain Washer	1	-,-	2
70	2 610 029 562	Wing Nut	1	-,-	1
654	2 610 968 670	Box Wrench	1	-,-	1
804	2 610 347 481	On-Off Switch	1	-,-	1
805	2 610 313 328	Power supply cord	1	-,-	1
813	2 610 921 176	Spare Part	1	-,-	1
816	2 610 993 156	Carbon-Brush Set	1	-,-	1
824	2 610 993 167	Base Plate	1	-,-	1
832	2 610 993 238	Handle	1	-,-	1
836	2 610 968 683	Gear Housing	1	-,-	1
853	2 610 997 756	Gear Shaft	1	-,-	1



F012 517 501
Issue | 00-11-10
Stand

Fig./Abb. 1



Modifications reserved
Änderungen vorbehalten
Modifications réservées
Salvo modificaciones