

EN



Two Stage Air Compressors

Operating Instructions and Parts Manual



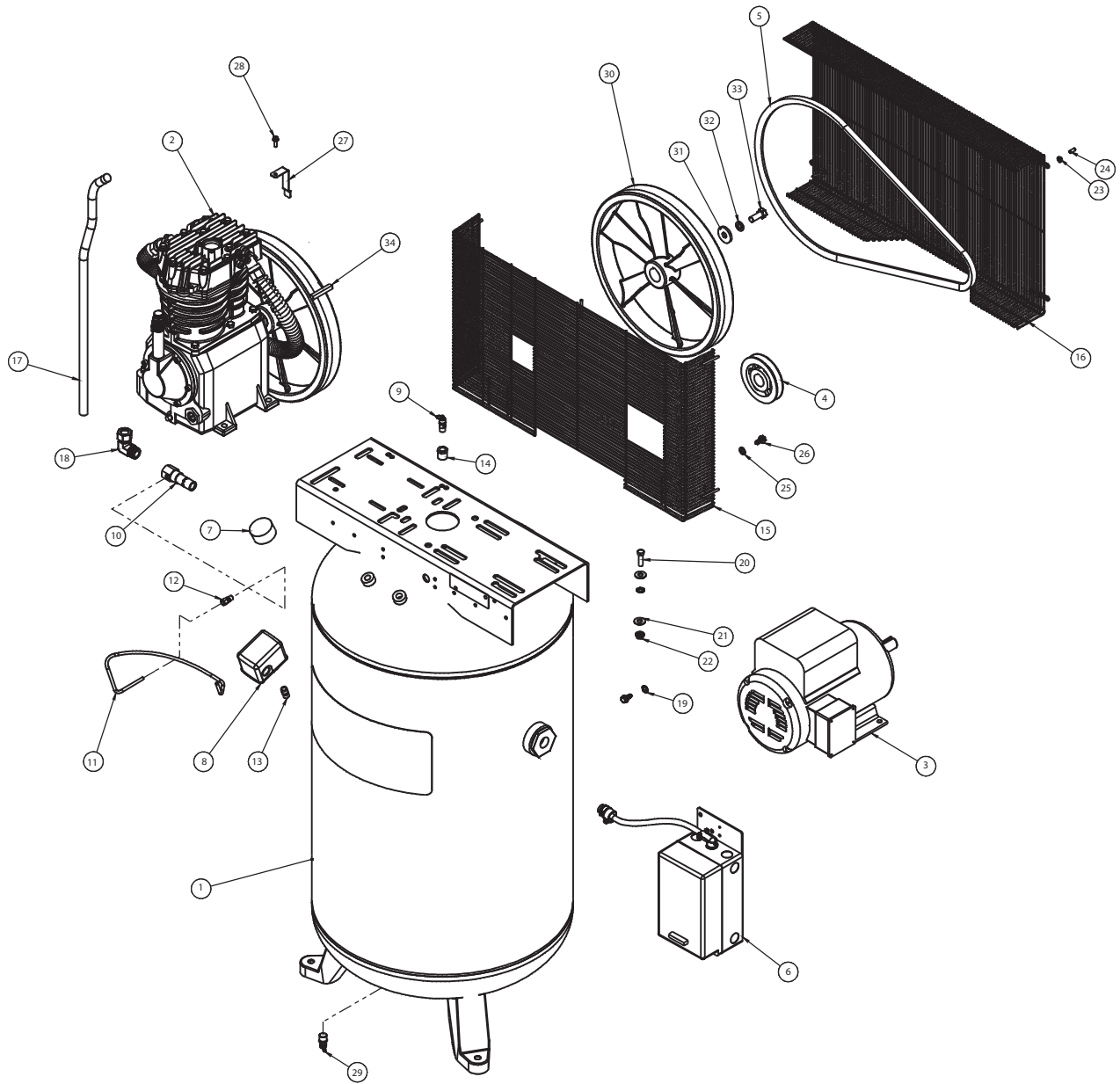
Models: JCP-803 and JCP-804

JET
427 New Sanford Road
La Vergne, Tennessee 37086
Ph: 1.800.274.6848
www.jettools.com

Part No. M-506803
Edition 3 07/2017
Copyright © 2017 JET

IN572201AV 7/17

REPAIR PARTS ILLUSTRATION FOR JCP-803 and JCP-804



**For Repair Parts, visit www.jettools.com to find your local distributor
24 hours a day – 365 days a year**

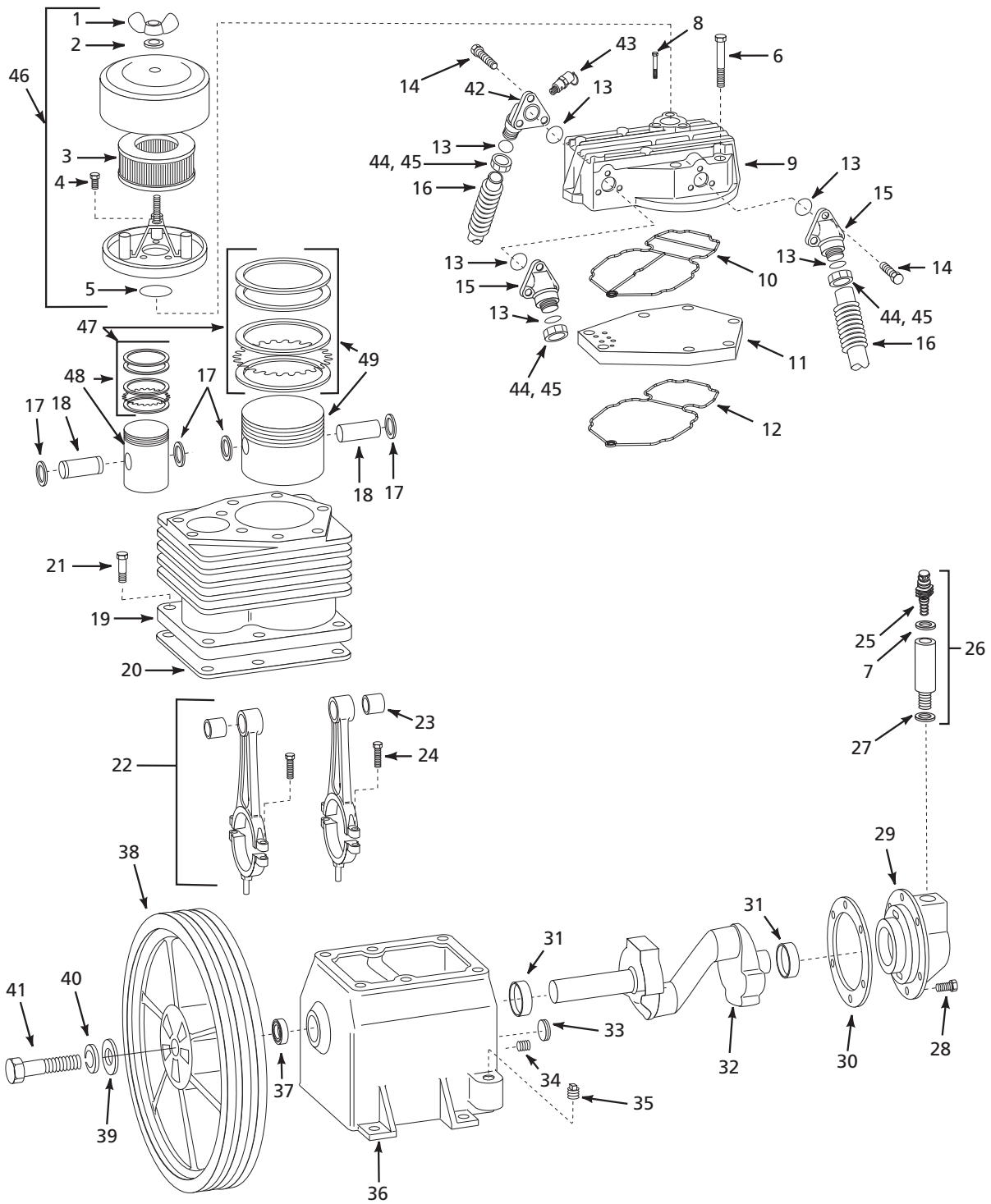
Please provide following information:

- Model number
- Serial number (if any)
- Part description and number as shown in parts list

REPAIR PARTS LIST FOR JCP-803 and JCP-804

Ref. No.	Description	JCP-803	JCP-804	Qty.
1	TANK, 80 GALLON VERTICAL	JCP803-001	JCP803-001	1
2	COMPRESSOR PUMP, 7.5HP 2-STAGE	JCP803-002	JCP803-002	1
3	MOTOR, 7.5HP 208-230V 1PH MOTOR, 7.5HP 208-230/460V 3PH	JCP803-003 -	- JCP804-001	1 1
4	PULLEY, 4.6" PD X 1.125" BORE	JCP803-005	JCP803-005	1
5	BELT, BX66	JCP803-006	JCP803-006	1
6	MOTOR STARTER, 1PH MOTOR STARTER, 3PH – 230V MOTOR STARTER, 3PH – 460V	JCP803-007 - -	- JCP804-002 JCP804-004	1 1 1
7	GAUGE, 300PSI	JCP601-011	JCP601-011	1
8	PRESSURE SWITCH	JCP803-008	JCP803-008	1
9	SAFETY VALVE, 200PSI	JCP801-011	JCP801-011	1
10	CHECK VALVE	JCP803-009	JCP803-009	1
11	COPPER TUBE, 1/4"	-	-	1
12	COMPRESSION FITTING, 1/8"NPT X 1/4" TUBE	JCP803-010	JCP803-010	1
13	PIPE NIPPLE, 1/4"NPT X 1.5"	-	-	1
14	REDUCING BUSHING, 1/2"NPT X 1/4"NPT	-	-	1
15	BELT GUARD BACK	JCP803-011	JCP803-011	1
16	BELT GUARD FRONT	JCP803-012	JCP803-012	1
17	COPPER TUBE, 3/4"	-	-	1
18	ELBOW COMPRESSION FITTING, 3/4" TUBE X 3/4"NPT	-	-	1
19	EXTERNAL TOOTH LOCK WASHER, 5/16"	-	-	2
20	HEX HEAD CAP SCREW, 3/8"-16 X 1.25"	-	-	8
21	WASHER, 3/8" (ID - 0.438", OD - 1")	-	-	12
22	HEX FLANGE NUT, 3/8" - 16	-	-	8
23	HEX FLANGE NUT, #10 - 24	-	-	5
24	THREAD SAFETY CAP	-	-	5
25	WASHER, 5/16"	-	-	2
26	SELF TAPPING HEX SCREW, 5/16"-12	-	-	4
27	BELT GUARD BRACKET	JCP803-013	JCP803-013	1
28	SELF TAPPING HEX SCREW, 1/4" X 0.75"	-	-	1
29	DRAINCOCK	JCP801-009	JCP801-009	1
30	PUMP FLYWHEEL	JCP803-014	JCP803-014	1
31	FLYWHEEL WASHER	JCP803-015	JCP803-015	1
32	FLYWHEEL LOCK WASHER	JCP803-016	JCP803-016	1
33	FLYWHEEL BOLT	JCP803-017	JCP803-017	1
34	FLYWHEEL KEY	JCP803-018	JCP803-018	1
Not Shown:				
32	GENERAL WARNING DECAL	LM000184	LM000184	1
33	JET LOGO 7-1/4"H X 17"W	LM000173	LM000173	1
34	ID LABEL JCP-803 ID LABEL JCP-804	LM000176 -	- LM000177	1 1
35	HEATER 230V 1PH (SET OF 1)	JCP803-032	-	1
36	HEATER 230V 3PH (SET OF 3)	-	JCP804-005	1
37	HEATER 460V 3PH (SET OF 3)	-	JCP804-006	1
Optional:				
38	ISOLATOR PAD (SET OF 3)	JCP804-100	JCP804-100	1

REPAIR PARTS ILLUSTRATION FOR JCP-803 and JCP-804



**For Repair Parts, visit www.jettools.com to find your local distributor
24 hours a day – 365 days a year**

Please provide following information:

- Model number
- Serial number (if any)
- Part description and number as shown in parts list

REPAIR PARTS LIST FOR JCP-803 and JCP-804

Ref. No.	Description	Part Number	Qty.
1	1/4 INCH-20 WING NUT	□	1
2	1/4 INCH WASHER	□	1
3	FILTER ELEMENT	JCP803-019	1
	FILTER ELEMENT	JCP803-020	1
4	1/4 INCH-20 X 1/2 INCH SCREW	JCP803-021	3
5	O-RING (INCLUDED IN REF. #46)	--	1
6	3/8 INCH-16 X 3 - 1/2 INCH SCREW	□	9
7	O-RING	JCP803-022	1
8	1/4"-20X2.5 SELF-TAPPING SCREW	□	1
9	CYLINDER HEAD	JCP803-023	1
10 ●	O-RING, HEAD TO VALVE PLATE	--	1
11	VALVE PLATE ASSEMBLY	JCP803-024	1
12 ●	O-RING, CYLINDER TO VALVE PLATE	--	1
13 ●	O-RING	--	6
14	1/4 INCH-20 X 3/4 INCH SCREW	--	9
15	TUBE FITTING	--	2
16	INTERCOOLER	--	1
17	RETAINING RING	--	4
18	PISTON PIN	--	2
19	CYLINDER	--	1
20 ●	GASKET, CYLINDER TO CRANKCASE	--	1
21	3/8 INCH-24 X 1 INCH HEX HEAD SCREW	--	6
22	CONNECTING ROD ASSEMBLY	--	2
23	NEEDLE BEARING	--	2
24	5/16 INCH-18 X 1 - 1/2 INCH SOCKET HEAD SCREW	□	4
25	BREATHER CAP	--	1
26	BREATHER TUBE ASSEMBLY	--	1
27	O-RING	--	1
28	5/16-18 X 3/4 INCH SOCKET SCREW	--	6
29	BEARING CAP	--	1
30 ●	0.015 INCH GASKET	--	1
31	BALL BEARING	--	2

Ref. No.	Description	Part Number	Qty.
32	CRANKSHAFT W/BEARINGS	--	1
33	OIL LEVEL GAGE	--	1
34	1/4 INCH-18 NPT DRAIN PLUG	--	1
35	1/2 INCH-14 NPT FILLER PLUG	--	1
36	CRANKCASE	--	1
37	OIL SEAL	--	1
38	FLYWHEEL	JCP803-025	1
39	WASHER	--	1
40	LOCKWASHER	--	1
41	1/2 INCH-13 SCREW	--	1
42	TUBE FITTING	--	1
43	SAFETY VALVE	JCP803-026	1
44	TUBE NUT	--	3
45	FERRULE	--	3

REPLACEMENT KITS AND ACCESSORIES

46	FILTER KIT, (INCL. REF. # 1-5)	JCP803-027	1
	FILTER KIT, (INCL. REF. # 1-5)	JCP804-003	1
47	RING KIT	JCP803-028	1
48	HIGH PRESSURE PISTON ASSEMBLY	JCP803-029	1
49	LOW PRESSURE PISTON ASSEMBLY	JCP803-030	1
●	GASKET KIT	JCP803-031	1
□	STANDARD HARDWARE ITEM, AVAILABLE LOCALLY		

TORQUE VALUES

Ref No.	Description	Torque
6	3/8 INCH-16 SCREW, HEAD	42 ft. lb.
8	1/4"-20X2.5 SELF-TAPPING SCREW	100 in. lb.
21	3/8 INCH-24 SCREW, CYLINDER	15 ft. lb.
24	5/16 INCH-18 SCREW, CONNECTING ROD	14 ft. lb.
28	5/16 INCH-18 SCREW, BEARING CAP	14 ft. lb.
41	1/2 INCH TORQUE SCREW, FLYWHEEL	50 ft. lb.