

EN



# Two Stage Air Compressor

Operating Instructions and Parts Manual



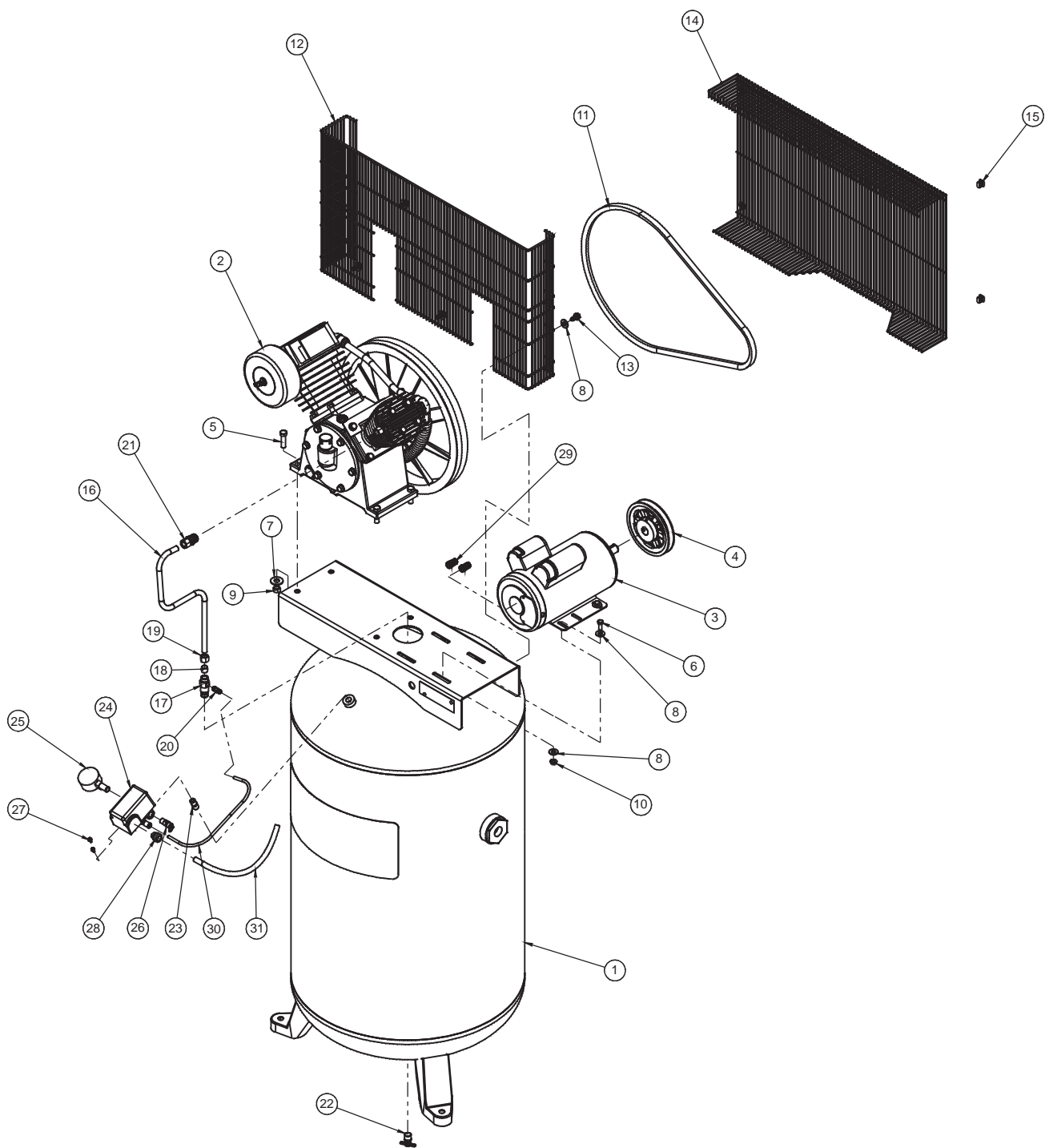
**Model: JCP-801**

**JET**  
427 New Sanford Road  
La Vergne, Tennessee 37086  
Ph: 1.800.274.6848  
www.jettools.com

**Part No. M-506801**  
Edition 3 07/2017  
Copyright © 2017 JET

IN572101AV 7/17

## REPAIR PARTS ILLUSTRATION FOR JCP-801



**For Repair Parts, visit [www.jettools.com](http://www.jettools.com) to find your local distributor  
24 hours a day – 365 days a year**

Please provide following information:

- Model number
- Serial number (if any)
- Part description and number as shown in parts list

REPAIR PARTS LIST FOR JCP-801

Ref. No.	Description	Part Number:	Qty.
1	AIR RECEIVER, 80 GALLON VERTICAL	JCP801-001	1
2	COMPRESSOR PUMP, 5HP 2-STAGE	JCP801-002	1
3	MOTOR, 5HP 208-230V 1PH	JCP801-003	1
4	PULLEY, 5.7PD X 7/8 IN. BORE	JCP801-004	1
5	HEX HEAD CAP SCREW, 7/16 IN.-14 X 1.5 IN.	-	4
6	HEX HEAD CAP SCREW, 5/16 IN.-18 X 0.75 IN.	-	4
7	WASHER, 7/16 IN. (ID 0.5 IN. X OD 1.25 IN.)	-	4
8	WASHER, 5/16 IN. (ID 0.375 IN. X OD 0.875 IN.)	-	12
9	HEX NUT, 7/16 IN.-14	-	4
10	SPINLOCK NUT, 5/16 IN.-18	-	4
11	BELT, A62	-	1
12	BELT GUARD BACK	JCP801-005	1
13	SELF TAPPING HEX HEAD SCREW, 5/16 IN.-12	-	4
14	BELT GUARD FRONT	JCP801-006	1
15	BELT GUARD RETAINING CLIPS	JCP801-007	4
16	EXHAUST TUBE	JCP801-008	1
17	CHECK VALVE	JCP601-007	1
18	FERRULE, 1/2 IN.	-	1
19	COMPRESSION NUT, 1/2 IN.	-	1
20	QUICK CONNECT, 1/8 IN.NPT X 1/4 IN.TUBE	JCP601-008	1
21	COMPRESSION FITTING, 1/2 IN.	-	1
22	TANK DRAIN, 3/8 IN. NPT	JCP801-009	1
23	NIPPLE, 1/4 IN. NPT X 1.5 IN.	-	1
24	PRESSURE SWITCH	JCP801-010	1
25	GAUGE, 300PSI	JCP601-011	1
26	SAFETY VALVE, 200PSI	JCP801-011	1
27	SELF TAPPING HEX HEAD SCREW, #8-0.375 IN.	-	2
28	CORD STRAIN RELIEF	-	1
29	WIRE NUT, 18-10AWG	-	2
30	PTFE TUBE, 1/4 IN. X 13.5 IN.	-	1
31	MOTOR CORD	JCP601-018	1
<b>Not Shown:</b>			
32	GENERAL WARNING DECAL	LM000184	1
33	JET LOGO 7-1/4 IN.H X 17 IN.W	LM000173	1
34	ID LABEL JCP-801	LM000175	1
<b>Optional:</b>			
35	ISOLATOR PAD (SET OF 3)	JCP804-100	1

GETTING STARTED

SAFETY / SPECIFICATIONS

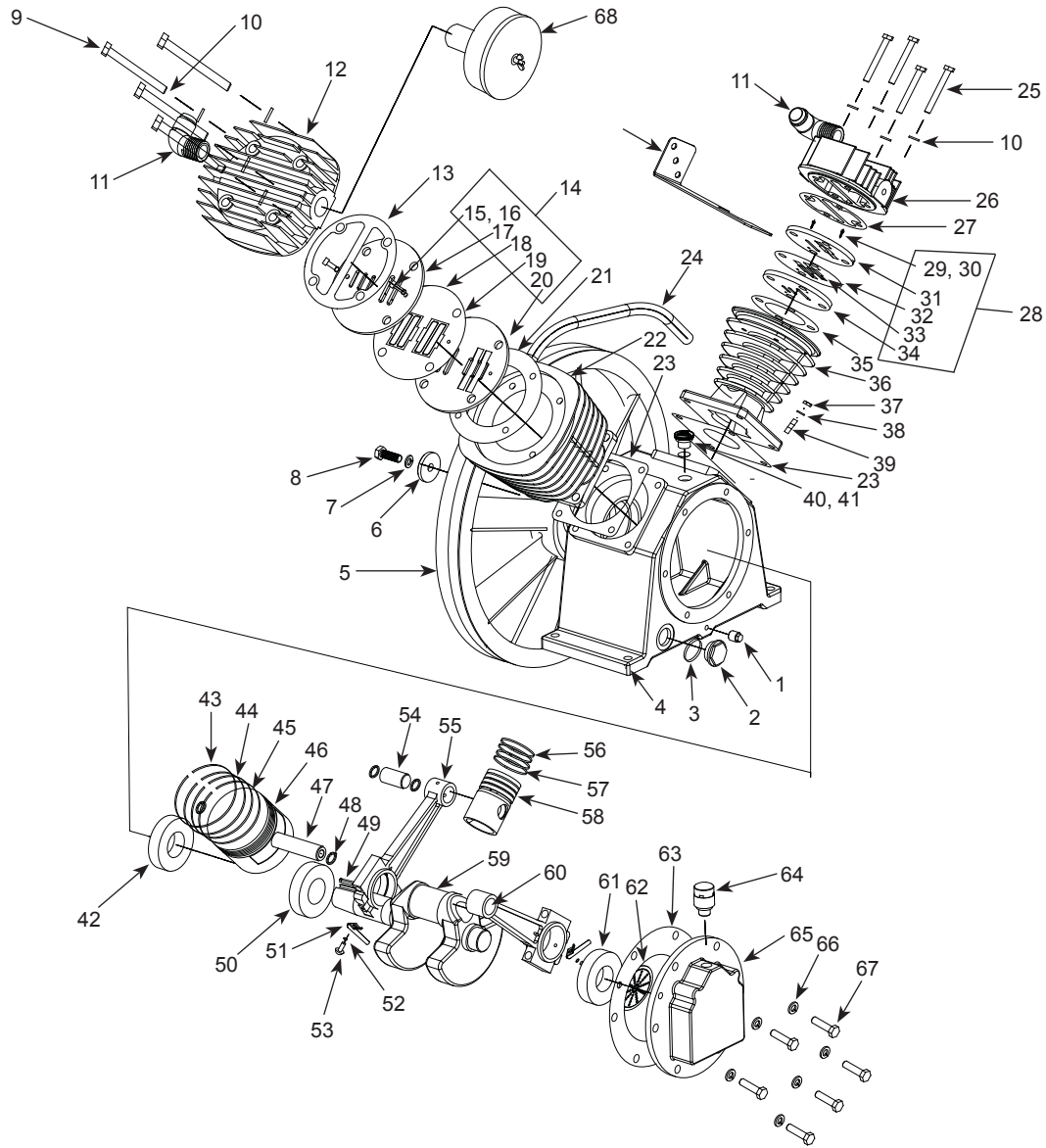
ASSEMBLY / INSTALLATION

OPERATION

TROUBLESHOOTING

MAINTENANCE / REPAIR

## REPAIR PARTS ILLUSTRATION FOR JCP-801



**For Repair Parts, visit [www.jettools.com](http://www.jettools.com) to find your local distributor  
24 hours a day – 365 days a year**

Please provide following information:

- Model number
- Serial number (if any)
- Part description and number as shown in parts list

# REPAIR PARTS LIST FOR JCP-801

Ref No	Description	Part Number	Qty
1	1/4" NPT DRAIN PLUG	◆	1
2	OIL LEVEL GAUGE	◆ ▼	1
3	OIL LEVEL GAUGE O-RING	◆ ▼ ㇀	1
4	CRANKCASE	◆	1
5	FLYWHEEL	■	1
6	FLAT WASHER	▲ ❖	1
7	LOCK WASHER	▲ ❖	1
8	BOLT, M12	▲ ❖	1
9	HEX CAPSCREW, M10X80	❖	4
10	SPRING WASHER, M10	❖	8
11	INTERCOOLER FITTING WITHOUT TAPPED HOLE	--	2
12	CYLINDER HEAD (LOW PRESSURE)	㇀	1
13	HEAD GASKET (LP)	≠ ㇀	1
14	VALVE PLATE ASSEMBLY	≠	1
21	VALVE PLATE - CYLINDER GASKET (LP)	≠ ㇀	1
22	CYLINDER (LP)	--	1
23	CYLINDER-CRANKCASE GASKET	㇀	2
24	INTERCOOLER ASSEMBLY WITH FLARE NUTS	--	1
25	HEX BOLT, M10X65	❖	4
26	CYLINDER HEAD (HIGH PRESSURE)	--	1
27	HEAD GASKET (HP)	㇀ ☆	1
28	VALVE PLATE ASSEMBLY (HP)	☆	1
35	VALVE PLATE - CYLINDER GASKET (HP)	㇀ ☆	1
36	CYLINDER (HP)	--	1
37	NUT	❖	8
38	SPRING WASHER	❖	8
39	STUD BOLT	❖	8
40	FILL PLUG	◆ □	1
41	FILL PLUG O-RING	◆ □	1
42	OIL SEAL	◆ ㇀	1
43	COMPRESSION RING	‡	1
44	COMPRESSION RING	‡	1
45	OIL RING	‡	2
46	PISTON	‡‡	1
47	WRIST PIN	‡‡	1
48	RETAINER CLIP	‡‡ ○	2
49	KEY	■	1
50	BALL BEARING	●	1
51	DIPPER	★ †	1
52	LOCK WASHER	★ †	1
53	DIPPER RETAINING SCREW, M4X10	★ †	1
54	WRIST PIN	○	1
55	CONNECTING ROD	†	1
56	COMPRESSION RING	∞	3

Ref No	Description	Part Number	Qty
57	OIL RING	∞	1
58	PISTON	○	1
59	CRANKSHAFT	●	1
60	CONNECTING ROD (HP)	★	1
61	BALL BEARING	●	1
62	REAR BEARING PLATE	††	1
63	BEARING CAP GASKET	㇀	1
64	BREATHER ASSEMBLY	JCP801-012	1
65	BEARING CAP	††	1
66	COPPER WASHER	❖	1
67	BOLT	❖	1
68	AIR FILTER ASSEMBLY	JCP801-013	1
69	BELTGUARD BRACKET	JCP801-014	1

NOT SHOWN			
	AIR FILTER ELEMENT	JCP801-015	1

REPAIR KITS AND ACCESSORIES			
▲	FLYWHEEL BOLT KIT	JCP801-016	1
■	FLYWHEEL WITH KEY	JCP801-017	1
●	CRANKSHAFT ASSEMBLY WITH BEARINGS	JCP801-018	1
◆	CRANKCASE ASSEMBLY WITH OIL SEAL, OIL LEVEL GAUGE, DRAIN PLUG, AND FILL PLUG	JCP801-019	1
▼	OIL LEVEL GAUGE WITH O-RING	JCP801-020	1
□	FILL PLUG WITH O-RING	JCP801-021	1
★	HIGH PRESSURE CONNECTING ROD ASSEMBLY WITH DIPPER	JCP801-022	1
†	LOW PRESSURE CONNECTING ROD ASSEMBLY WITH DIPPER	JCP801-023	1
††	BEARING CAP WITH BAFFLE	JCP801-024	1
‡	PISTON RING KIT (LP)	JCP801-025	1
‡‡	PISTON SET (LP)	JCP801-026	1
○	PISTON SET (HP)	JCP801-027	1
∞	PISTON RING KIT (HP)	JCP801-028	1
≠	VALVE PLATE KIT (LP)	JCP801-029	1
㇀	GASKET, OIL SEAL AND O-RING KIT (EXCEPT VALVE PLATE TO PLATE GASKET)	JCP801-030	1
❖	ASSEMBLY FASTENER SET	JCP801-031	1
☆	VALVE PLATE KIT (HP)	JCP801-032	1
--	NOT AVAILABLE		

GETTING STARTED

SAFETY / SPECIFICATIONS

ASSEMBLY / INSTALLATION

OPERATION

TROUBLESHOOTING

MAINTENANCE / REPAIR