

EN



Stationary Air Compressor

Operating Instructions and Parts Manual



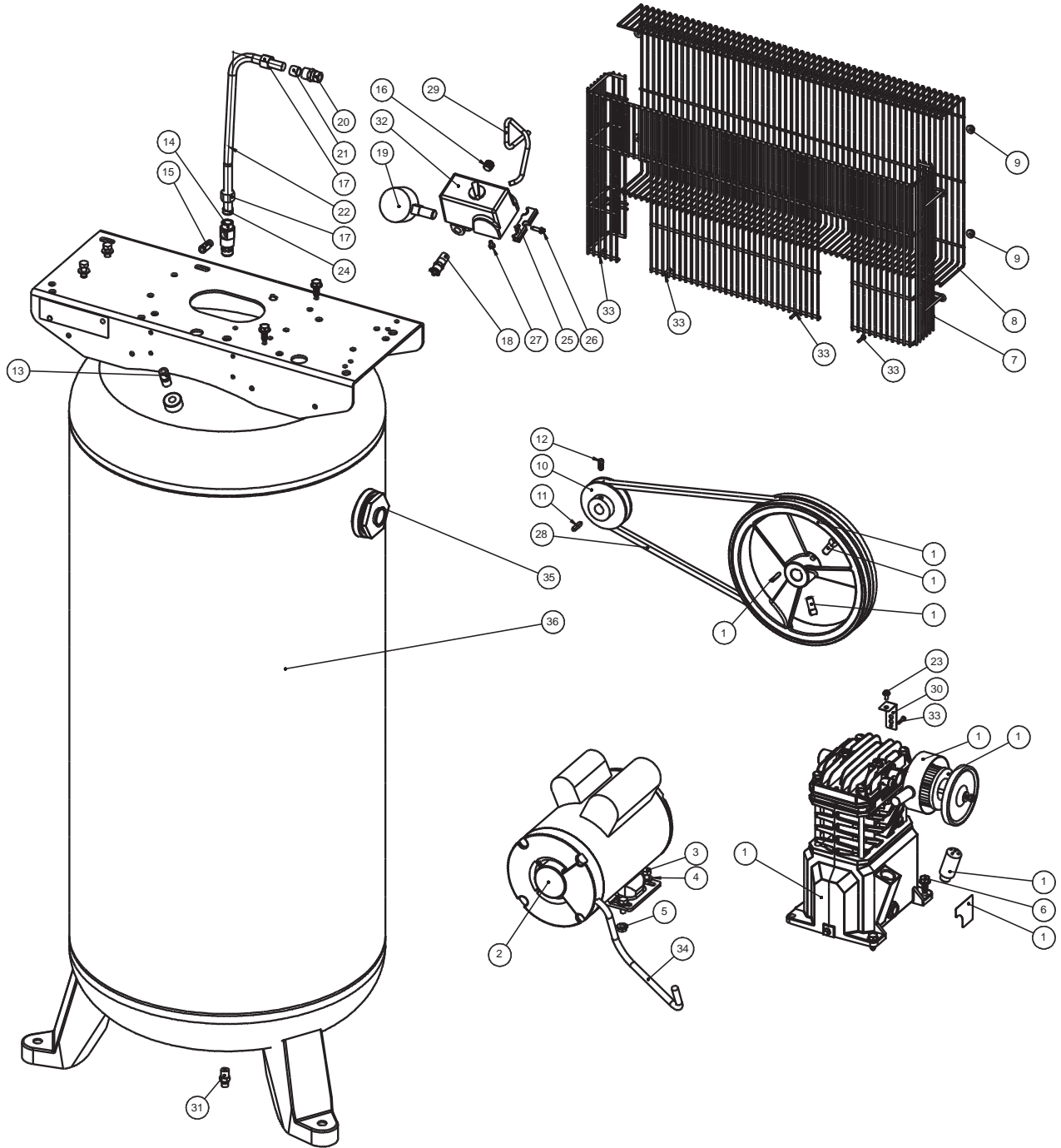
Model: JCP-601

JET
427 New Sanford Road
La Vergne, Tennessee 37086
Ph: 1.800.274.6848
www.jettools.com

Part No. M-506601
Edition 3 07/2017
Copyright © 2017 JET

IN572001AV 7/17

REPAIR PARTS ILLUSTRATION FOR JCP-601



**For Repair Parts, visit www.jettools.com to find your local distributor
24 hours a day – 365 days a year**

Please provide following information:

- Model number
- Serial number (if any)
- Part description and number as shown in parts list

REPAIR PARTS LIST FOR JCP-601

Ref. No.	Description	Part Number	Qty.
1	3HP VT PUMP ASSEMBLY	JCP601-001	1
2	3.2HP 240V ELECTRIC MOTOR	JCP601-002	1
3	HEX HEAD SCREW, 5/16 IN.-18 X 3/4 IN.	-	4
4	WASHER, 5/16 IN.	-	4
5	SPINLOCK NUT, 5/16 IN.-18	-	4
6	SELF TAPPING SCREW, 5/16 IN.-12	-	4
7	WIRE BELT GUARD BACK	JCP601-003	1
8	WIRE BELT GUARD FRONT	JCP601-004	1
9	HEX FLANGE NUT 10-24	-	4
10	PULLEY 3.25 IN. X 5/8 IN. BORE	JCP601-005	1
11	KEY, 3/16 IN. X 1 IN.	JCP601-006	1
12	SET SCREW, 1/4 IN.-20 X 1/2 IN.	-	1
13	PIPE NIPPLE, 1/4 IN. NPT X 1.5 IN.	-	1
14	CHECK VALVE	JCP601-007	1
15	QUICK CONNECT TUBE FITTING, 1/4 IN. TUBE X 1/8 IN. NPT	JCP601-008	1
16	PLUG, 1/4 IN. NPT	-	1
17	COMPRESSION NUT, 1/2 IN.	JCP601-009	2
18	ASME SAFETY VALVE, 150PSI	JCP601-010	1
19	GAUGE, 300PSI	JCP601-011	1
20	COMPRESSION FITTING, 1/2 IN. NPT X 1/2 IN. TUBE	-	1
21	FERRULE, 1/2 IN.	-	1
22	EXHAUST TUBE	JCP601-012	1
23	TAPPING SCREW, 10-3/8 IN.	-	1
24	MOLDED FERRULE, 1/2 IN.	-	1
25	PRESSURE SWITCH WIRE CLAMP	JCP601-013	1
26	CLAMP SCREW	JCP601-014	1
27	HEX HEAD SELF TAPPING SCREW, 8 - 3/8 IN.	-	2

Ref. No.	Description	Part Number	Qty.
28	BELT, AX48	VB-A48	1
29	PTFE TUBE, 1/4 IN. X 14 IN.	-	1
30	BELT GUARD BRACKET	JCP601-015	1
31	DRAINCOCK	JCP601-016	1
32	PRESSURE SWITCH	JCP601-017	1
33	TAPPING SCREW, 5-5/8 IN.	-	5
34	MOTOR POWER CORD, 16 IN.	JCP601-018	1
35	PLASTIC PLUG 3/4 IN. NPT	-	1
36	60 GALLON ASME TANK	JCP601-019	1
Not Shown:			
37	GENERAL WARNING DECAL	LM000184	1
38	JET LOGO 7-1/4 IN.H X 17 IN.W	LM000173	1
39	ID LABEL JCP-601	LM000174	1
Optional:			
40	ISOLATOR PAD (SET OF 3)	JCP804-100	1

GETTING STARTED

SAFETY / SPECIFICATIONS

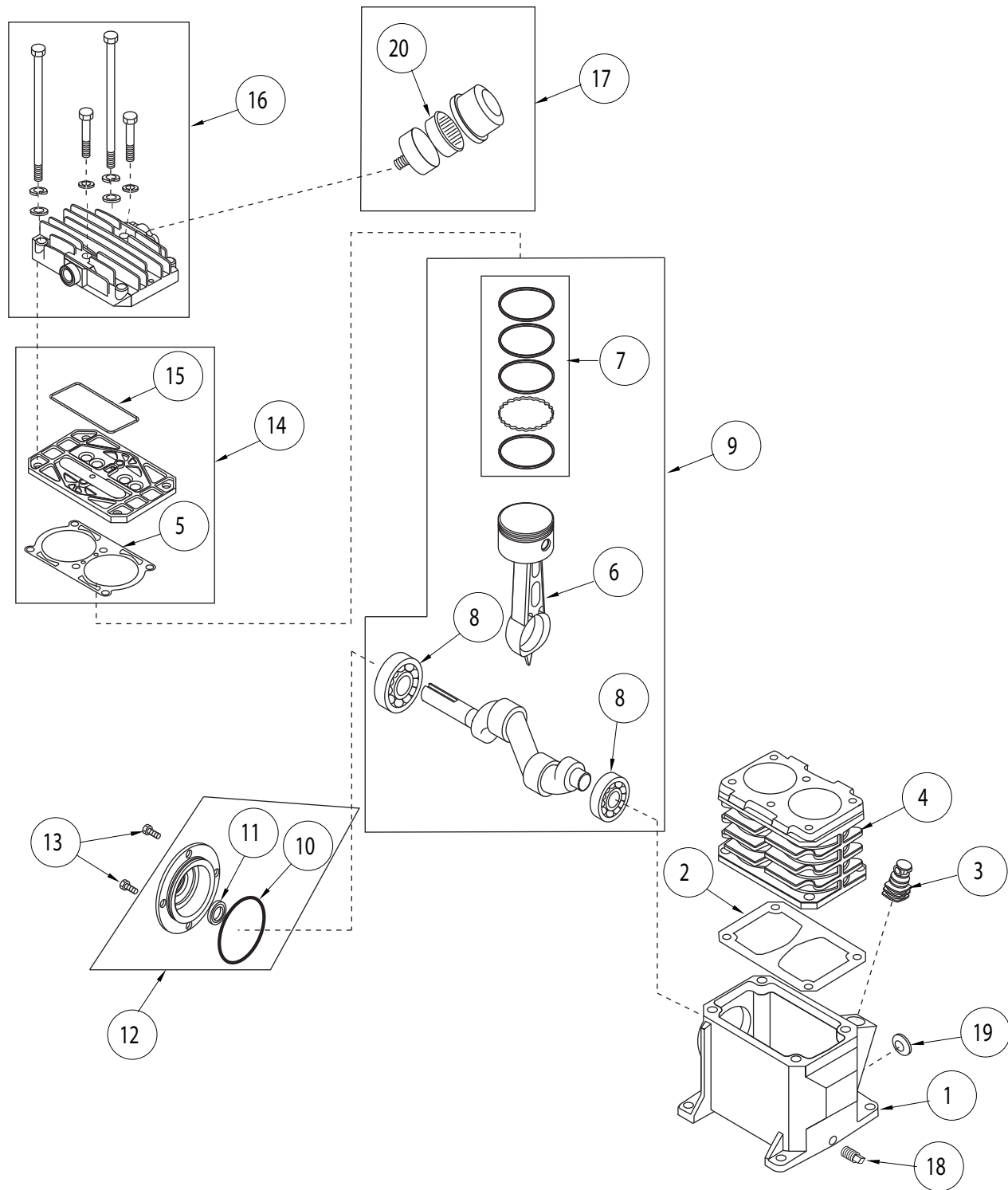
ASSEMBLY / INSTALLATION

OPERATION

TROUBLESHOOTING

MAINTENANCE / REPAIR

REPAIR PARTS ILLUSTRATION FOR JCP-601



**For Repair Parts, visit www.jettools.com to find your local distributor
24 hours a day – 365 days a year**

Please provide following information:

- Model number
- Serial number (if any)
- Part description and number as shown in parts list

REPAIR PARTS LIST FOR JCP-601

Ref. No.	Description	Part Number:	Qty.
1	CRANKCASE	--	1
2	CRANKCASE GASKET	●	1
3	BREATHER	JCP601-021	1
4	CYLINDER	--	1
5	CYLINDER GASKET	●	1
6	CONNECTING ROD AND PISTON ASSEMBLY	--	2
7	PISTON RING SET	--	2
8	BALL BEARING	--	2
9	CRANKSHAFT, BEARINGS, RODS, PISTON ASSEMBLY	JCP601-022	1
10	O-RING	●	1
11	OIL SEAL	--	1
12	BEARING CAP ASSEMBLY	--	1
13	M6 X 10 MM HEX CAP SCREW	†	4
14	VALVE PLATE ASSEMBLY	JCP601-023	1
15	VALVE PLATE MOLDED SEAL	●	1
16	CYLINDER HEAD AND FASTENERS	--	1
17	AIR FILTER ASSEMBLY	JCP601-024	1
18	1/8 IN.-27 OIL DRAIN PLUG	--	1
19	SIGHT GLASS	JCP601-025	1
20	AIR FILTER ELEMENT	JCP601-026	1
REPAIR PART KITS			
●	GASKET KIT	JCP601-027	
--	NOT AVAILABLE		
†	AVAILABLE AT LOCAL HARDWARE STORE		