



SERVICE PARTS LIST

BUL. 54-22-0050

3/4 H.P. BENCH GRINDER

Catalog No. 5060

MODEL REF. NO. 63109B

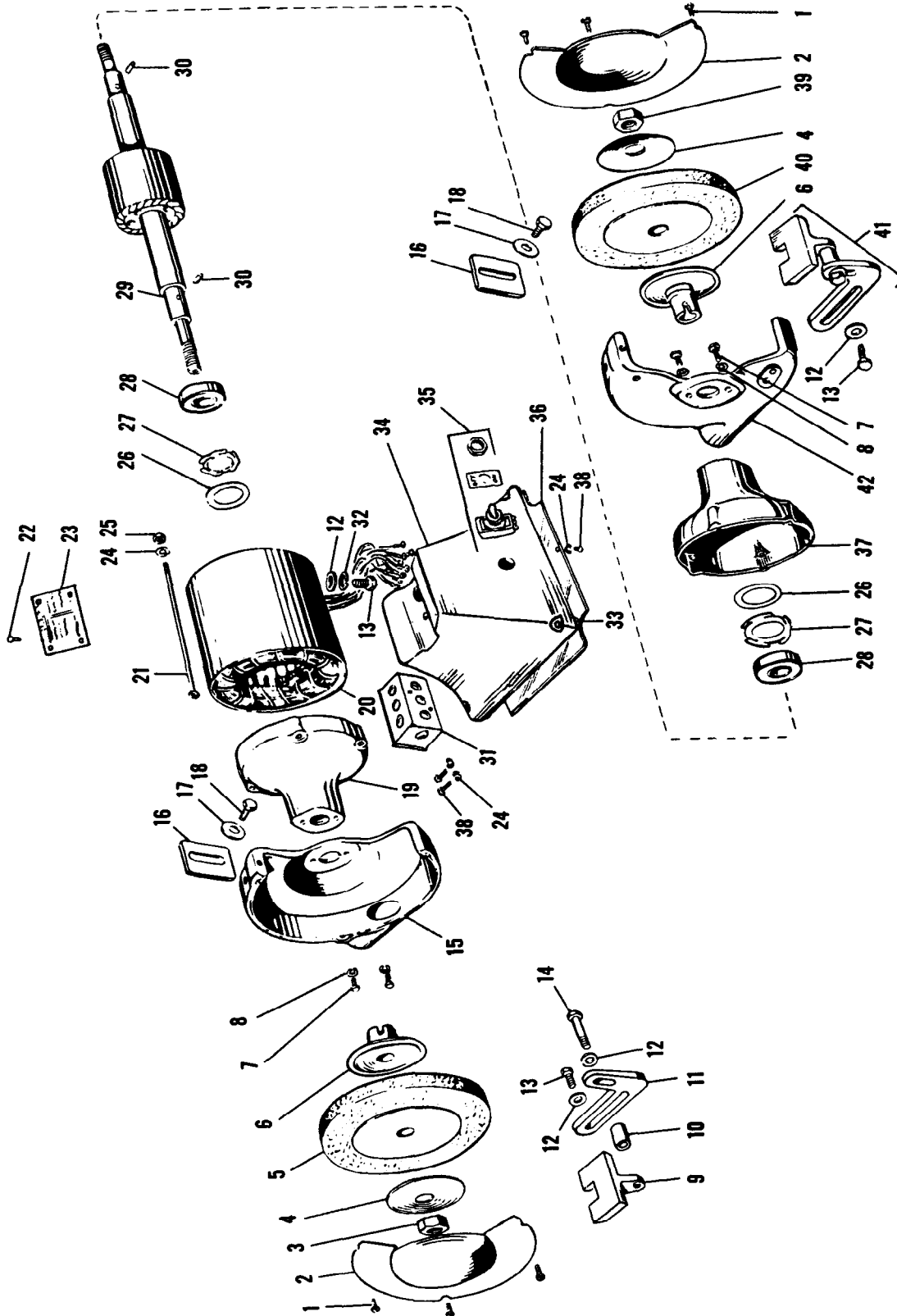
REVISED BUL 6102-1

DATE Nov. '68

WIRING INSTR.

Both Model and Serial No. must be furnished to obtain correct parts.

208/220/440 VOLT THREE PHASE





SERVICE PARTS LIST

BENCH GRINDER

When ordering replacement parts, please give complete motor identification number off name plate of tool.

ILLUSTRATED PARTS

FIG.	PART NO.	DESCRIPTION OF PART	FIG.	PART NO.	DESCRIPTION OF PART
1	06-81-4693	Rd.Hd. Screw	22	44-60-0290	Name Plate Pin
2	42-92-0040	Wheel Guard Cover	★ 23	12-98-0410	Name Plate
3	06-55-3325	L.H. Hex Nut	24	06-97-3400	Lock Washer
4	43-34-0046	Outer Wheel Flange	25	06-55-1100	Hex Nut
5	See Catalog	Grinding Wheel	26	45-14-0110	Shim Washer
6	43-34-0045	Inner Wheel Flange	27	40-50-7655	Bearing Loading Spring
7	06-75-0310	Cap Screw	28	02-04-5050	Ball Bearing
8	06-97-4100	Lockwasher	29	23-40-0290	Rotor Assembly
9	44-85-0100	Tool Rest	30	06-65-1528	Roll Pin
10	45-36-0550	Spacer	31	22-12-0060	Conduit Box and Cover
11	42-09-0060	Tool Rest Arm	32	06-97-4125	Lock Washer
12	06-97-4125	Lock Washer	33	47-38-0020	Bumper
13	06-75-0480	Cap Screw	34	42-20-0080	Base Casting
14	06-75-0490	Cap Screw	35	23-66-0640	Toggle Switch
15	43-54-0070	L.H. Wheel Guard	36	42-92-0030	Base Cover
16	43-54-0067	Spark Guard	37	42-25-0071	Motor Endshield R.H.
17	45-88-5220	Washer	38	06-81-4650	Rd.Hd. Screw
18	06-75-0075	Cap Screw	39	06-55-3300	R.H. Nut
19	42-25-0071	L.H. Motor End Shield	40	See Catalog	Grinding Wheel
20	23-58-0330	Stator Assembly	41	44-85-0090	Tool Rest Assembly
21	06-75-0064	Thru Bolt, Hex. Hd.	42	43-54-0075	R.H. Wheel Guard

MISCELLANEOUS PARTS NOT SHOWN

PART NO.	DESCRIPTION OF PART	PART NO.	DESCRIPTION OF PART
06-81-4567	8-32x3/8 Rd.Hd. Brass Ground Screw	06-97-3210	#8 Lock Washer
42-92-0220	Box Cover	23-16-0400	Switch Insulator
45-88-5261	25/64 Flat Washer	06-55-2450	3/8-24 Hex Nut
06-92-1100	3/8-24x1-3/8 Stud		